

WINCO[®] GENERATORS

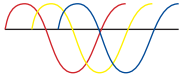
 An American Company.

We produce our products in our 200,000ft² facility located in Le Center, Minnesota, equipped with modern engineering, fabrication and assembly capabilities.



THREE-PHASE

WINCO's first 3-phase BIG DOG!



TÜV & EPA CERTIFIED

We take the time to engineer our products to have the certification you need.

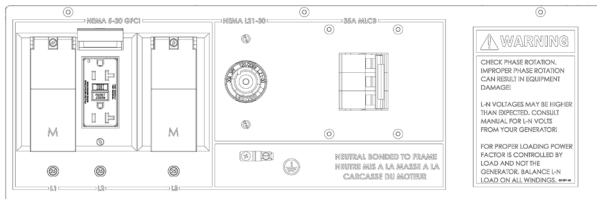


15 Gallon Fuel Tank

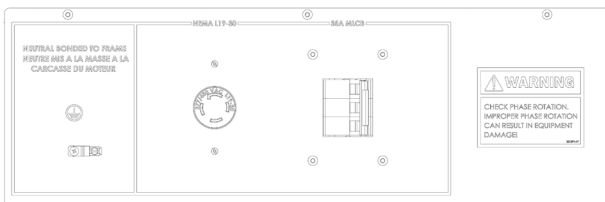
The EPA approved steel fuel tank design eliminates hydrocarbon emissions.

Receptacle Panels

208V & 240V



480V

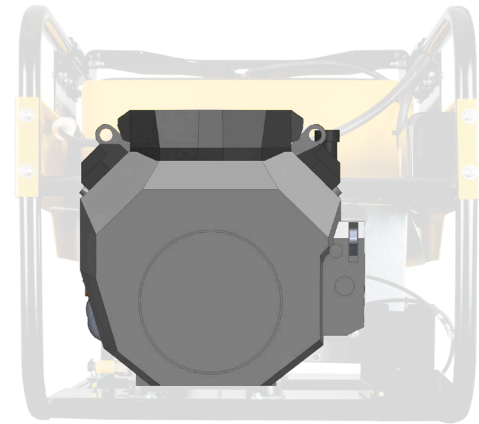


WL12000HE-04/A
WL12000HE-17/A
WL12000HE-18/A
10,800 WATTS

Rugged Steel Design.



Honda GX630 Commercial Engine.



Industrial Genend



**AUTOMATIC
VOLTAGE
REGULATION**



SPECIFICATIONS

ENGINE

ENGINE BRAND	HONDA
ENGINE MODEL	GX630
ENGINE STARTER	ELECTRIC
ENGINE SPEED	3600 RPM
ENGINE CYLINDERS	V-TWIN
DISPLACEMENT/TYPE	688 CC / OHV
FREQUENCY REGULATION ⁽¹⁾	+/- 3%
LOW OIL PROTECTION	STANDARD
RECOMMENDED OIL ⁽²⁾	5W-30
OIL CAPACITY	2.1 QT
FUEL TANK	15 GAL
FUEL GAUGE	YES
FULL LOAD RUN TIME ⁽³⁾	9.4 HOURS
FUEL CONSUMPTION	GAL/HR
100%	1.59
75%	1.19
50%	0.79
25%	0.40
BATTERY SIZE ⁽⁴⁾	BCI GROUP U1 300 CCA

NOTES: (1) Steady state frequency regulation. (2) The recommended oil is for normal applications. See operator's manual for the recommended oil for your needs. (3) Run time is estimated. (4) Battery not included.

OPTIONAL ACCESSORIES

FOUR-WHEEL DOLLY KIT	WITH FLAT-FREE TIRES
COVER	45" x 32" x 30"
BATTERY	BCI GROUP U1 300 CCA
MAINTENANCE KIT	16200-005

SHIPPING

SHIPPING DIMENSIONS (L x W x H)	50" x 27" x 35"
SHIP WEIGHT	412 LBS
FREIGHT CLASS	70

ELECTRICAL

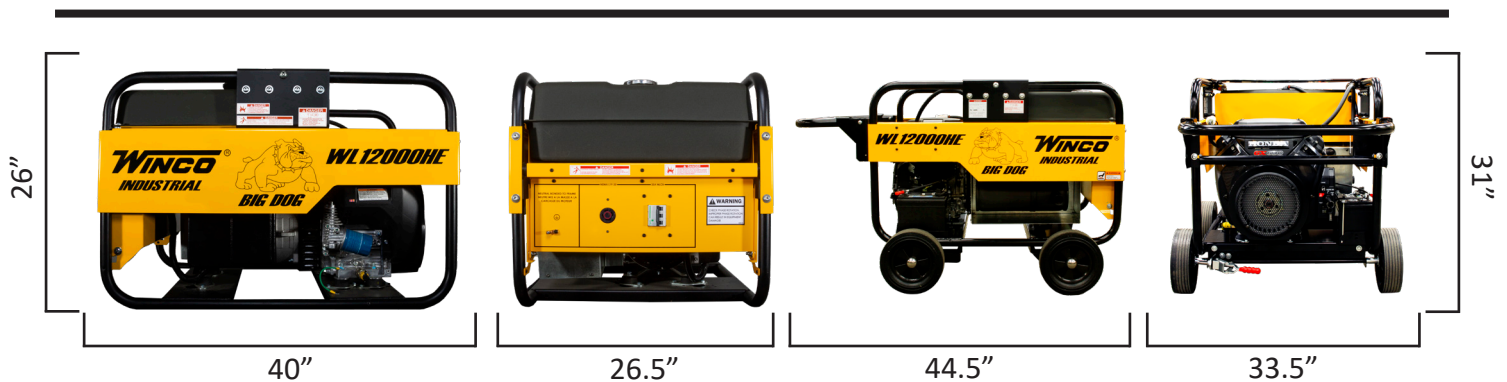
VOLTAGE	PF	STARTING WATTS	RUNNING WATTS	AMPS
120/208V	0.8	12,000	10,800	37.5
132/230V	0.8	12,000	10,800	34
277/480	0.8	12,000	10,800	16
VOLTAGE REGULATION			AVR +/- 1%	
BONDED NEUTRAL			YES	
BRUSHED			YES	
MAIN CIRCUIT BREAKER			35 AMP	
120 VOLT RECEPTACLES ⁽¹⁾ (3) NEMA 5-20 20A DUPLEX (GFCI)				
FULL POWER RECEPTACLES				
208 - 240V			(1) NEMA L21-30R 30A	
480V			(1) NEMA L19-30R 30A	

NOTES: (1) Only available on the 208V and 240V models.

GENSET

MOTOR STARTING (CODE G)	3.5 HP
DBA @ 7 METERS	77
TOTAL HARMONIC DISTORTION	11%
LIFTING EYE ⁽¹⁾	STANDARD
4-WHEEL DOLLY KIT	OPTIONAL
INSULATION	CLASS H
PROTECTIVE ROLL FRAME	1.25" DIA. 14 GA. STEEL
ASSEMBLED IN	USA
EPA APPROVED	YES
CARB APPROVED	YES
TÜV CERTIFICATION	CSA
UNIT WARRANTY ⁽²⁾	3 YEARS COMMERCIAL

NOTES: (1) Shipping eye shipped loose. (2) For more generator warranty, see operator's manual.



Specifications are subject to change without notice.

