

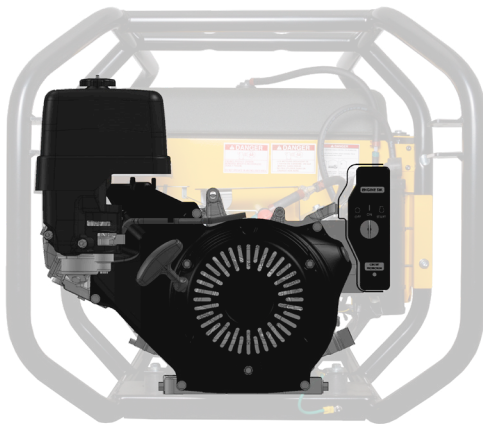
WINCO[®] GENERATORS

W6000HE-03 5,500 RUNNING WATTS

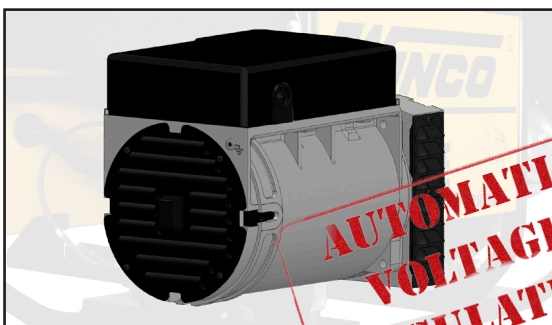
Rugged Steel Design.



Honda GX340 Commercial Engine.



Brushless Industrial Genend.



**AUTOMATIC
VOLTAGE
REGULATION**

 An American Company.

We produce our products in our 200,000ft² facility located in Le Center, Minnesota, equipped with modern engineering, fabrication and assembly capabilities.



YOURGEN



LED Display

Hours, RPMs, voltage, and frequency readings automatically cycle on the display.

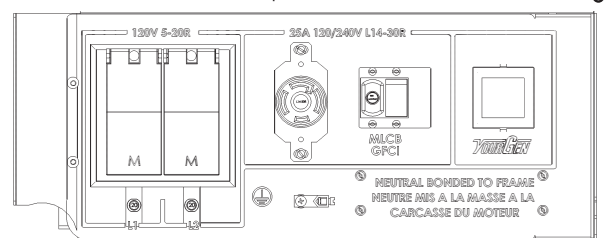
Load Bars

Easily verify the load balance on each leg of the generator end.

Warnings

The LED will flash if any parameter gets outside of normal range. A warning will also be displayed when it is time for an oil change.

Receptacle Panel



SPECIFICATIONS

ENGINE

ENGINE BRAND	HONDA
ENGINE MODEL	GX340
ENGINE STARTER	ELECTRIC
ENGINE SPEED	3600 RPM
ENGINE CYLINDERS	SINGLE
DISPLACEMENT/TYPE	389 CC / OHV
FREQUENCY REGULATION ⁽¹⁾	+/- 3%
LOW OIL PROTECTION	STANDARD
RECOMMENDED OIL ⁽²⁾	10W-30
OIL CAPACITY	1.16 QT
FUEL TANK	7 GAL
FUEL GAUGE	YES
FULL LOAD RUN TIME ⁽³⁾	8.1 HOURS
FUEL CONSUMPTION	GAL/HR
100%	0.87
75%	0.74
50%	0.61
25%	0.48
0%	0.35
BATTERY SIZE ⁽⁴⁾	12V 18-A 235CCA

NOTES: (1) Steady state frequency regulation. (2) The recommended oil is for normal applications. See operator's manual for the recommended oil for your needs. (3) Run time is estimated. (4) Battery not included.

OPTIONAL ACCESSORIES

TWO-WHEEL DOLLY KIT	WITH FLAT-FREE TIRES
COVER	38.75" x 22" x 22"
30A PLUG	64492-000
BATTERY	12V 18-A 235CCA
MAINTENANCE KIT	16200-002

ELECTRICAL

STARTING WATTS	6,000
RUNNING WATTS	5,500
RUNNING AMPS @ 120 VAC	45.8
RUNNING AMPS @ 240 VAC	22.9
VOLTAGE REGULATION	AVR +/- 1%
MAIN CIRCUIT BREAKER	25 AMP, 240V (GFCI)
BONDED NEUTRAL	YES
120 VOLT RECEPTACLES	(2) NEMA 5-20 20A DUPLEX (GFCI)
120/240 VOLT RECEPTACLES	(1) NEMA L14-30 30A (GFCI)
YOURGEN METER	STANDARD

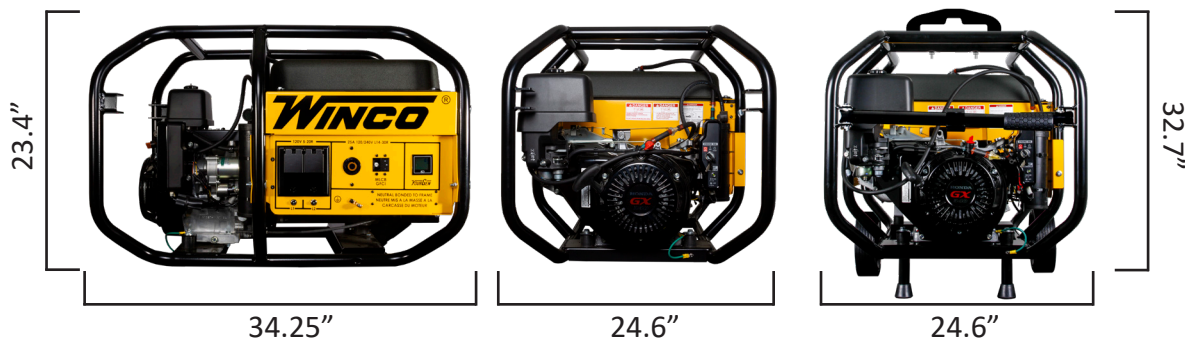
GENSET

MOTOR STARTING (CODE G)	1.5 HP
DBA @ 7 METERS	
NO LOAD	79
FULL LOAD	84
TOTAL HARMONIC DISTORTION	< 5%
LIFTING EYE ⁽¹⁾	STANDARD
2-WHEEL DOLLY KIT	OPTIONAL
INSULATION	CLASS H
PROTECTIVE ROLL FRAME	1.25" DIA. 14 GA. STEEL
ASSEMBLED IN	USA
EPA APPROVED	YES
CARB APPROVED	YES
TÜV CERTIFICATION	CSA
UNIT WARRANTY ⁽²⁾	3 YEARS COMMERCIAL

NOTES: (1) Shipping eye shipped loose. (2) For more generator warranty, see operator's manual.

SHIPPING

SHIPPING DIMENSIONS (L x W x H)	36" x 26" x 24"
SHIP WEIGHT	210 LBS
FREIGHT CLASS	70



Specifications are subject to change without notice.

