

# WINCO<sup>®</sup> GENERATORS

 An American Company.  
We produce our products in our 200,000ft<sup>2</sup> facility located in Le Center, Minnesota, equipped with modern engineering, fabrication and assembly capabilities.



## YOUR GEN



### LED Display

Hours, RPMs, voltage, and frequency readings automatically cycle on the display.

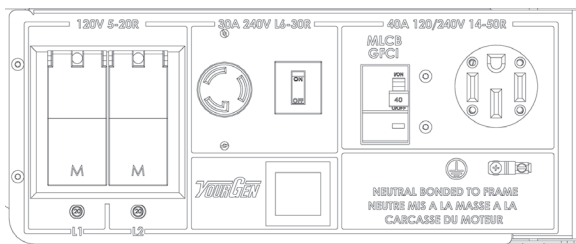
### Load Bars

Easily verify the load balance on each leg of the generator end.

### Warnings

The LED will flash if any parameter gets outside of normal range. A warning will also be displayed when it is time for an oil change.

### Receptacle Panel with GFCI protection



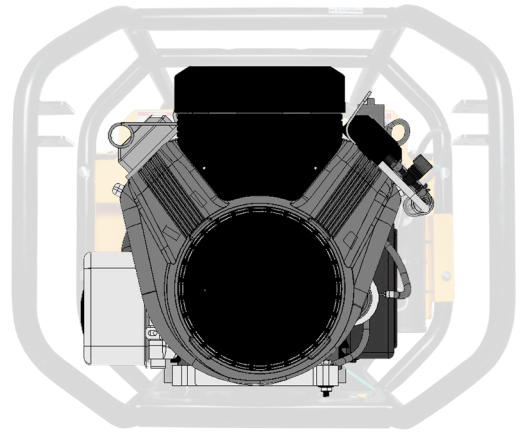
# W10000VE-03/B

9,600 RUNNING WATTS

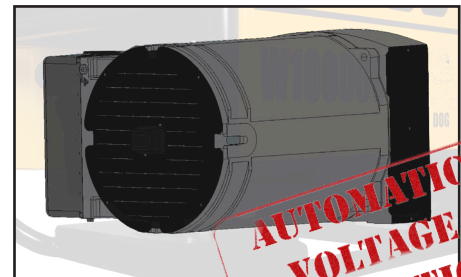
### Rugged Steel Design.



### B & S Commercial Vanguard Engine.



### Industrial Genend.



**AUTOMATIC  
VOLTAGE  
REGULATION**

# SPECIFICATIONS

## ENGINE

ENGINE BRAND	BRIGGS & STRATTON
ENGINE MODEL	VANGUARD
ENGINE STARTER	ELECTRIC /RECOIL
ENGINE SPEED	3600 RPM
ENGINE CYLINDERS	V-TWIN
DISPLACEMENT/TYPE	570 CC / OHV
FREQUENCY REGULATION <sup>(1)</sup>	+/- 3%
LOW OIL PROTECTION	STANDARD
RECOMMENDED OIL <sup>(2)</sup>	5W-30
OIL CAPACITY	2.4 QT
FUEL TANK	7 GAL
FUEL GAUGE	YES
FULL LOAD RUN TIME <sup>(3)</sup>	4.3 HOURS
FUEL CONSUMPTION	GAL/HR
100%	1.64
75%	1.34
50%	1.01
25%	0.77
BATTERY SIZE <sup>(4)</sup>	BCI GROUP U1 300 CCA

NOTES: (1) Steady state frequency regulation. (2) The recommended oil is for normal applications. See operator's manual for the recommended oil for your needs. (3) Run time is estimated. (4) Battery not included.

## DERATES

1,000FT ABOVE SEA LEVEL	3.5%
ABOVE 77°F	1% FOR EACH 10°F

## OPTIONAL ACCESSORIES

TWO-WHEEL DOLLY KIT	WITH FLAT-FREE TIRES
BATTERY	BCI GROUP U1 300 CCA
MAINTENANCE KIT	16200-007

## ELECTRICAL

STARTING WATTS	10,000
RUNNING WATTS	9,600
RUNNING AMPS @ 120 VAC	80
RUNNING AMPS @ 240 VAC	40
VOLTAGE REGULATION	AVR +/- 1%
MAIN CIRCUIT BREAKER	40 AMP, 240V (GFCI)
BRUSH	YES
BONDED NEUTRAL	YES
120 VOLT RECEPTACLES	(2) NEMA 5-20 20A DUPLEX (GFCI)
120/240 VOLT RECEPTACLES	(1) NEMA 14-50 50A (GFCI)
240 VOLT RECEPTACLES	(1) NEMA L6-30 30A (GFCI)
YOURGEN METER	STANDARD

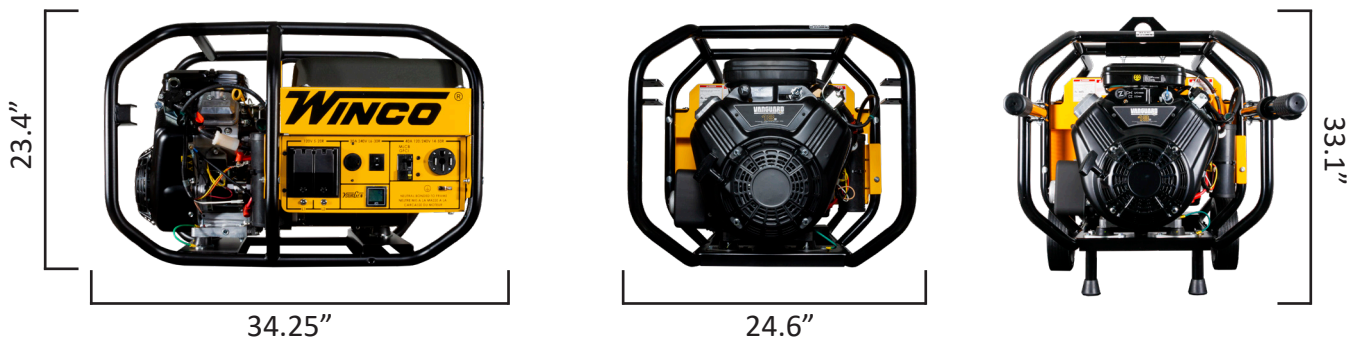
## GENSET

MOTOR STARTING (CODE G)	3 HP
DBA @ 7 METERS	
NO LOAD	81.3
FULL LOAD	82.8
TOTAL HARMONIC DISTORTION	< 6%
LIFTING EYE <sup>(1)</sup>	STANDARD
2-WHEEL DOLLY KIT	OPTIONAL
INSULATION	CLASS H
PROTECTIVE ROLL FRAME	1.25" DIA. 14 GA. STEEL
ASSEMBLED IN	USA
EPA APPROVED	YES
CARB APPROVED	YES
TÜV CERTIFICATION	CSA
UNIT WARRANTY <sup>(2)</sup>	3 YEARS COMMERCIAL

NOTES: (1) Shipping eye shipped loose. (2) For more generator warranty, see operator's manual.

## SHIPPING

SHIPPING DIMENSIONS (L x W x H)	36" x 26" x 24"
SHIP WEIGHT	298 LBS
FREIGHT CLASS	70



Specifications are subject to change without notice.

