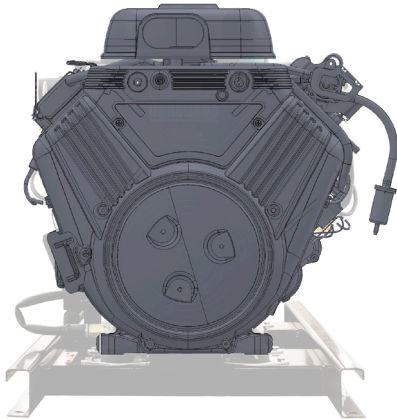


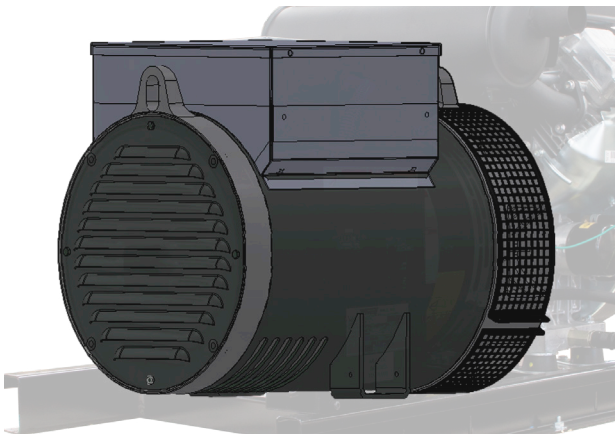
Rugged Steel Design.



B & S Commercial Vanguard Engine.



Brushless Industrial Genend.



An American Company.

We produce our products in our 200,000ft² facility located in Le Center, Minnesota, equipped with modern engineering, fabrication and assembly capabilities.



Vacuum Fuel Pump

30 feet fuel lift capacity

MAUX Auxiliary System

Ensures the generator can withstand 300% motor starting crush for 20 seconds.

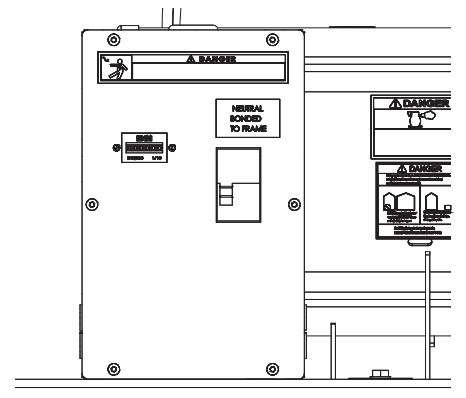
Low Oil Protection

In the event there is low oil pressure, the engine will shut down, protecting the engine from damage

Premium Circuit Breakers

Providing clear and instant indication of a tripped breaker.

Panel



SPECIFICATIONS

ELECTRICAL

VOLTS	POWER FACTOR	STARTING WATTS	RUNNING WATTS	STARTING AMPS	RUNNING AMPS	MAIN CIRCUIT BREAKER AMPS
120/240 1-PH	1.0	22,000	19,000	91	75	80
120/208 3-PH	0.8	22,000	19,000	76	65	60
120/240 3-PH	0.8	22,000	19,000	66	57	60
277/480 3-PH	0.8	22,000	19,000	33	28	30
VOLTAGE REGULATION		AVR +/- 1.5%				
BONDED NEUTRAL		YES				
HOUR METER		STANDARD				

ENGINE

ENGINE BRAND	BRIGGS & STRATTON
ENGINE MODEL	VANGUARD
ENGINE STARTER	ELECTRIC
ENGINE SPEED	3600 RPM
ENGINE CYLINDERS	V-TWIN
DISPLACEMENT/TYPE	993 CC / OHV
FREQUENCY REGULATION ⁽¹⁾	+/- 3%
LOW OIL PROTECTION	STANDARD
RECOMMENDED OIL ⁽²⁾	5W-30
OIL CAPACITY	2.5 QT
FUEL CONSUMPTION	GAL/HR
100%	3.28
75%	2.57
50%	1.88
25%	1.43
0%	0.95
BATTERY SIZE ⁽³⁾	BCI GROUP 26 500CCA

NOTES: (1) Steady state frequency regulation. (2) The recommended oil is for normal applications. See operator's manual for the recommended oil for your needs. (3) Battery not included.

GENSET

MOTOR STARTING (CODE G)	6 HP
DBA @ 7 METERS	79
TOTAL HARMONIC DISTORTION	< 6%
INSULATION	CLASS H
ASSEMBLED IN	USA
EPA APPROVED	YES
CARB APPROVED	NO
TÜV CERTIFICATION	CSA
UNIT WARRANTY ⁽¹⁾	3 YEARS COMMERCIAL

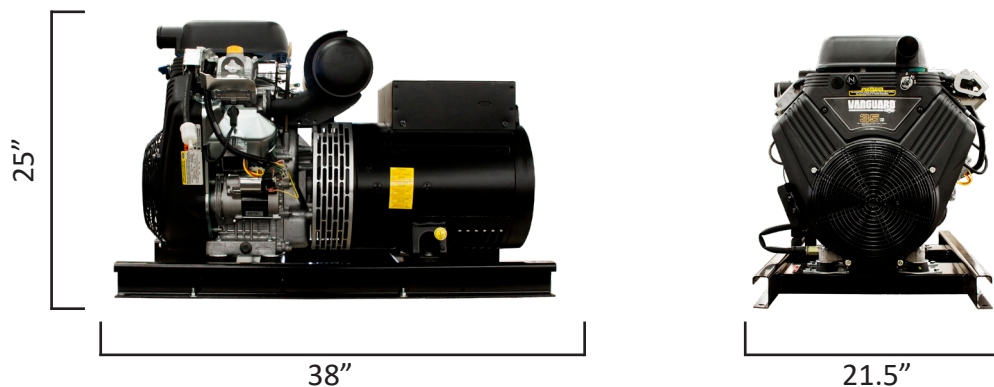
NOTES: (1) For more generator warranty, see operator's manual.

SHIPPING

SHIPPING DIMENSIONS (L x W x H)	44.25" x 28" x 28"
SHIP WEIGHT	515 LBS
FREIGHT CLASS	70

OPTIONAL ACCESSORIES

FUEL SYSTEM	15 GAL FUEL TANK
PLUG	14-60 60A
MAINTENANCE KIT	16200-011



Specifications are subject to change without notice.

