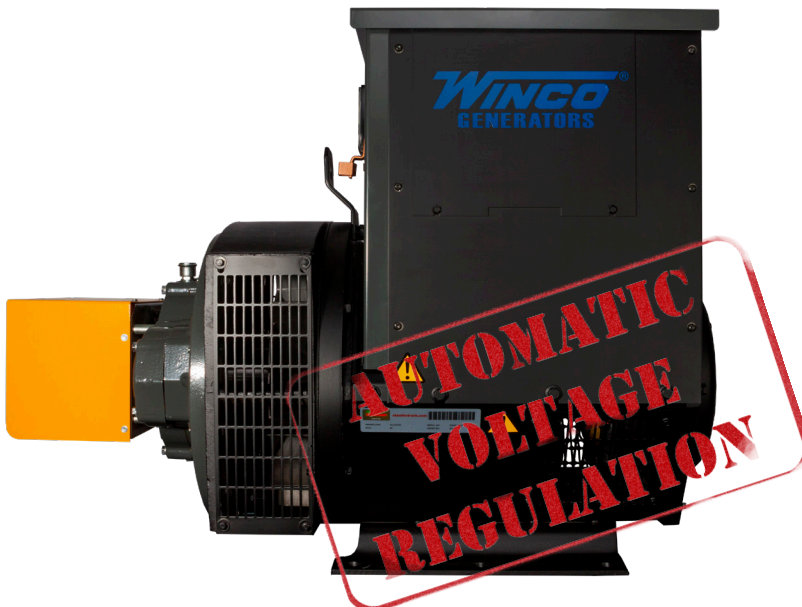


## Rugged Design

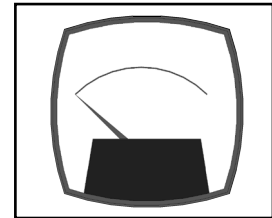
Our own WINCO gearcases have proven their strength and durability for over 60 years and will keep doing so into the future.



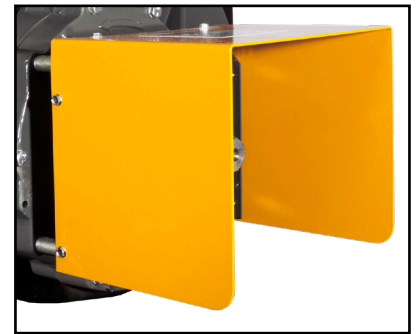
## Brushless Industrial Genend



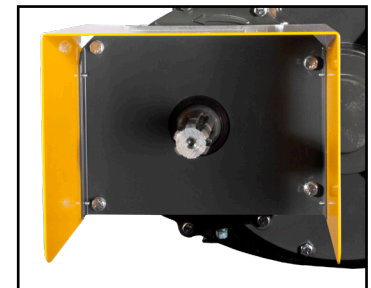
## Frequency Meter



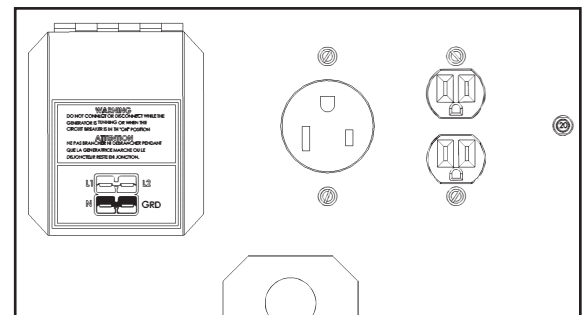
## PTO Shield



## 1 3/8" 6-Spline



## Receptacle Panel



## ELECTRICAL

| MODEL NUMBER | VOLTS        | STANDBY (150/40C) |             |             | CONTINUOUS (105/40C) |             |            | CIRCUIT BREAKER | MOTOR STARTING <sup>(1)</sup> |
|--------------|--------------|-------------------|-------------|-------------|----------------------|-------------|------------|-----------------|-------------------------------|
|              |              | WATTS             | AMPS 1.0 PF | AMPS 0.8 PF | WATTS                | AMPS 1.0 PF | AMPS 0.8PF |                 |                               |
| 50PTOC4-03   | 120/240 1-PH | 50,000            | 208         | N/A         | 40,000               | 166         | N/A        | 200             | 20 HP                         |
| 50PTOC4-04   | 120/208 3-PH | 50,000            | 138         | 173         | 42,000               | 116         | 145        | 175             | 22.5 HP                       |
| 50PTOC4-17   | 120/240 3-PH | 50,000            | 120         | 150         | 42,000               | 101         | 126        | 175             | 22.5 HP                       |
| 55PTOC4-18   | 277/480 3-PH | 55,000            | 66          | 82          | 46,400               | 55          | 69         | 75              | 25 HP                         |
| 55PTOC4-21   | 346/600 3-PH | 55,000            | 52          | 66          | 46,400               | 44          | 55         | 75              | 25 HP                         |

NOTES: (1) Code G capacitor motor.

## 50PTOC4

|                      |                         |
|----------------------|-------------------------|
| PTO INPUT SPEED      | 540 RPM                 |
| INPUT SHAFT SIZE     | 1 3/8" 6-SPLINE         |
| REQUIRED INPUT HP(1) |                         |
| 50PTOC4-03           | 100                     |
| 50PTOC4-04           | 100                     |
| 50PTOC4-17           | 100                     |
| 55PTOC4-18           | 110                     |
| 55PTOC4-21           | 110                     |
| FREQUENCY METER      | STANDARD                |
| NEUTRAL BONDED       | YES                     |
| GROUND LUG           | YES                     |
| GEARCASE OIL         | SAE 85W-90-140 - 1 PINT |

(1) Required HP at PTO of tractor for full rated power. Each 2 HP equals approximately 1kW of electric power.

## SHIPPING

|                                 |                 |
|---------------------------------|-----------------|
| SHIPPING DIMENSIONS (L x W x H) | 44" x 28" x 29" |
| SHIPPING WEIGHT                 | 745 LBS         |
| FREIGHT CLASS                   | 65              |

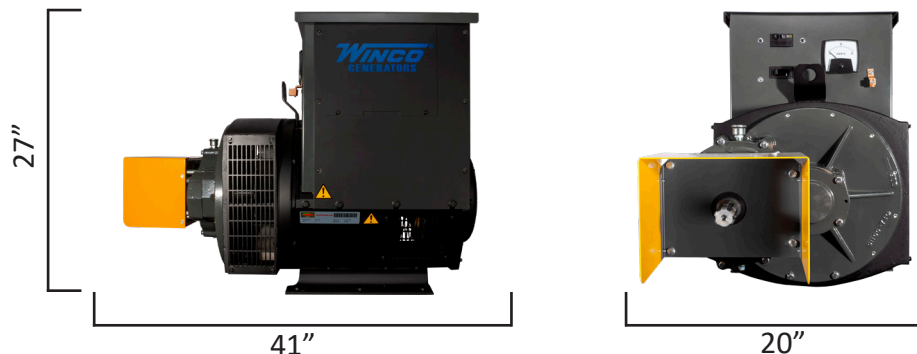
## OPTIONAL ACCESSORIES

|                       |                          |
|-----------------------|--------------------------|
| PTO TRAILER           | WITH PNEUMATIC TIRES     |
| PTO DRIVE SHAFT       | 1 3/8" X 1 3/8" 6-SPLINE |
| THREE POINT-HITCH KIT | CATEGORY 2               |
| GEARCASE UPGRADE      | 1000 RPM                 |
| TRANSFER SWITCH       | MANUAL                   |

## GENSET

|                                     |                           |
|-------------------------------------|---------------------------|
| SINGLE PHASE <sup>(1)</sup>         | 4 LEAD                    |
| WINDING NUMBER                      | 06                        |
| THREE PHASE                         | 12 LEAD                   |
| WINDING NUMBER                      | 311                       |
| AVR                                 | AS440                     |
| VOLTAGE REGULATION                  | +/- 1%                    |
| TOTAL HARMONIC DISTORTION           | < 5%                      |
| GENERATOR SPEED                     | 1800 RPM                  |
| STATOR WINDING                      |                           |
| SINGLE PHASE                        | SINGLE LAYER CONCENTRIC   |
| THREE PHASE                         | DOUBLE LAYER CONCENTRIC   |
| ROTOR                               | 2/3 PITCH                 |
| BEARING                             | SINGLE (MAINTENANCE FREE) |
| TELEPHONE INTERFERENCE              |                           |
| SINGLE PHASE                        | TIF < 50                  |
| THREE PHASE                         | TIF < 50                  |
| INSULATION                          | CLASS H                   |
| PROTECTION                          | IP23                      |
| 120 VOLT RECEPTACLES <sup>(2)</sup> | (2) NEMA 5-20 20A         |
| 240 VOLT RECEPTACLES <sup>(2)</sup> | (1) NEMA 6-50 50A         |
| FULL POWER ANDERSON RECEPTACLE      | 350 AMPS                  |
| FULL POWER ANDERSON PLUG            | INCLUDED                  |
| UNIT WARRANTY <sup>(3)</sup>        | 3 YEARS                   |

NOTES: (1) Unity (1.0) power factor (2) 480V and 600V have Anderson receptacles only. (3) For more generator warranty, see operator's manual.



Specifications are subject to change without notice.

225 S. Cordova Ave Le Center MN • 1-800-733-2112  
www.wincogen.com