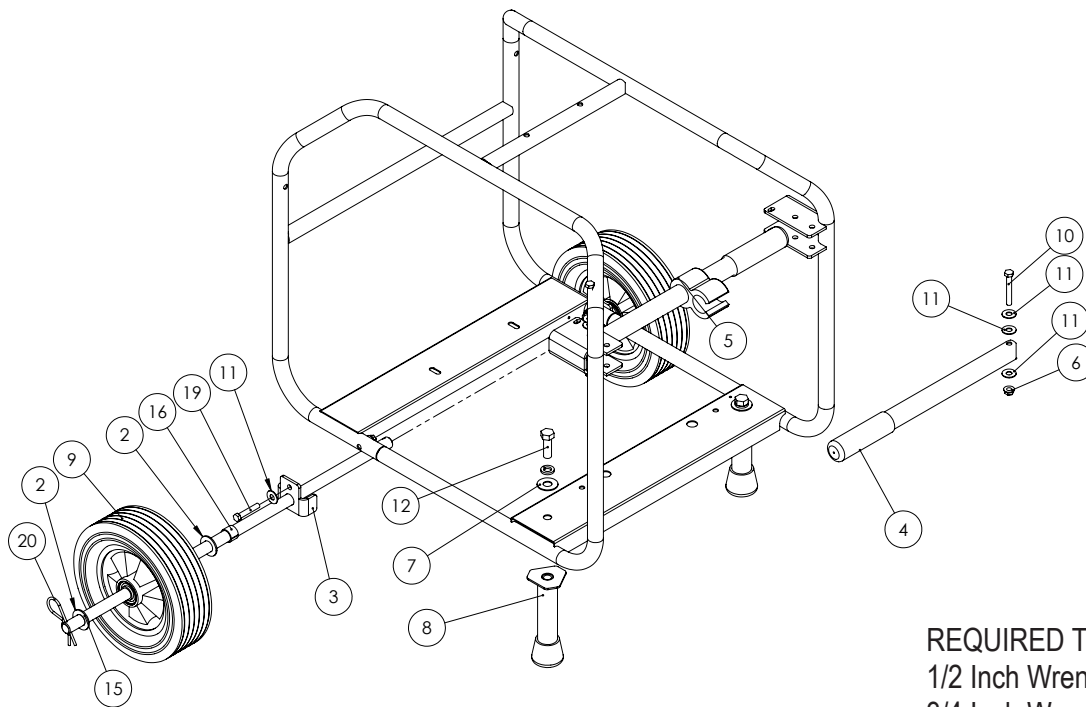


### DOLLY KIT OVERVIEW



REQUIRED TOOLS:  
1/2 Inch Wrench  
3/4 Inch Wrench

### COMPONENT LIST

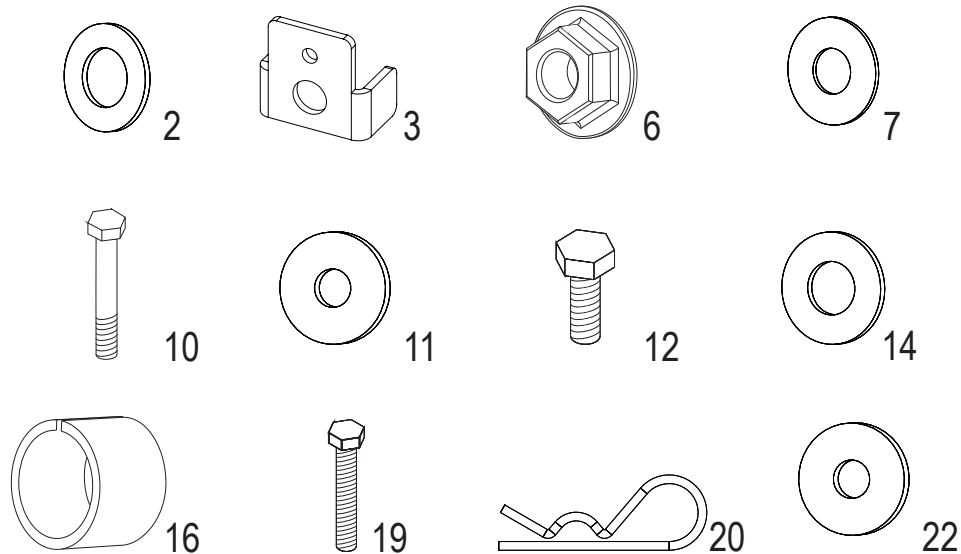
REF. #	PART #	DESCRIPTION	QTY.
2*	1178-000	Flat Washer .760 x 1.375 x .0897	4
3*	15775-027	Axle Bracket	2
4	16197-004	Handle	1
5	16198-005	Handle With Cup	1
6*	16249-000	.3125-18 Flange	4
7*	21867-000	Flat Washer	2
8	383000-036	Welded Foot	2
9	43657-008	Wheel 10" Dia x 3" Har Rubber	2
10*	471-000	5/16-18 x 2025	2
11*	526-000	5/16 Flat Washer	8
12*	57580-000	1/2-13 x 1.5 HHB	2
14*	636-000	Lockwasher 1/2 Split	2
15	64326-028	Axle .75 x 29.3125"	1
16*	64688-009	Spacer Axle Stub .75 x .625"	2
18*	91372-000	Plastic Bag	2
19*	9416-000	HHC .3125-18 x 1.75 GR5	2
20*	97883-001	Pin, Cotter, Hair	2
22*	23558-000	Flat Washer 5/16 11/32x1	4

\*Locatated in parts bag 91372-000

# STEP 1

- Open hardware bag and separate components.

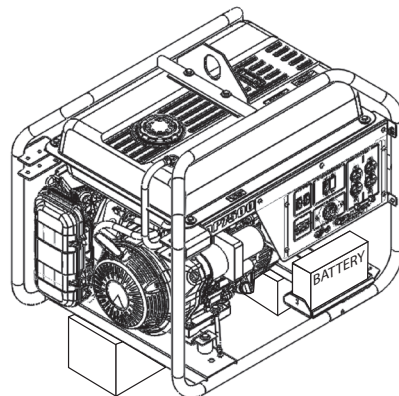
## FASTENERS & MISC. COMPONENTS (not shown in actual size)



HARDWARE & FASTENER LIST			
REF #	PART #	DESCRIPTION	QTY
2*	1178-000	Flat Washer .760 x 1.375 x .0897	4
3*	15775-026	Axle Bracket	2
6*	16249-000	.3125-18 Flange	4
7*	21867-000	Flat Washer	2
10*	471-000	5/16-18 x 2.25	2
11*	526-000	5/16 Flat Washer	8
12*	57580-000	1/2-13 x 1.5 HHB	2
14*	636-000	Lockwasher 1/2 Split	2
16*	64688-009	Spacer Axle Stub .75" x 1.00"	2
19*	9416-000	HHCS .3125-18-1.75 GR5	2
20*	97883-001	Pin, Cotter, Hair	2
22*	23558-000	Flat Washer 5/16 11/32x1	4

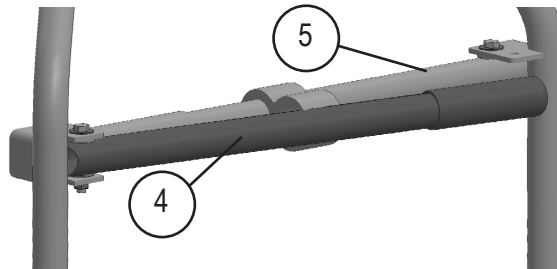
# STEP 2

- Remove the generator from the pallet and block generator up 8 to 10 inches to gain access to the bottom of the cradle assembly. A lifting jack or hoist may also be used if available.

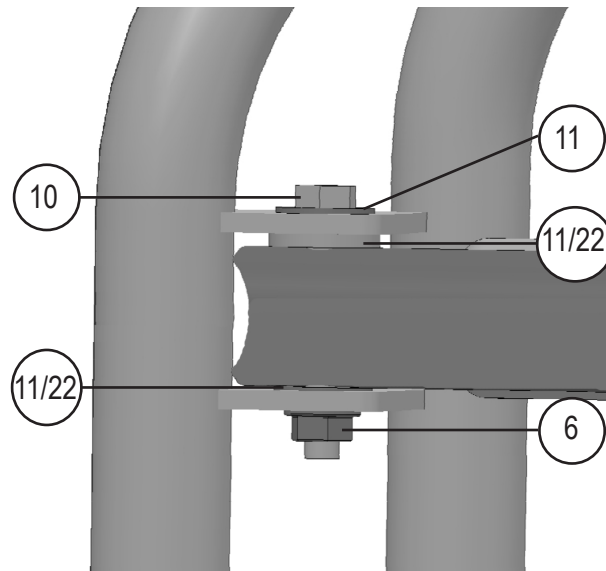


## STEP 3

- When completed, your handles should look like this. Part 5 is installed on the back hole of the bracket with the clip facing out. Part 4 is installed on the front hole of the bracket. Either handle can go in either bracket.

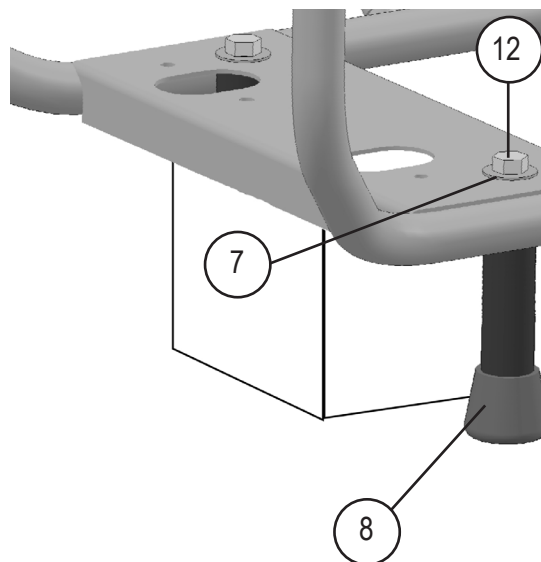


- Gather all the components needed for the handle install. Either handle can go in either bracket. Use 10x1, 11x1, 12x2, and 18x1 per handle, as shown to the right with 1/2" wrenches. This part is a little tricky. Don't curse at us. Put washer 11 resting on the hole of the bottom of the bracket. Then you'll put washer 11 on the top of the handle, slide it in, and then miraculously line it all up so Part 10 can slide through it all with Part 11 washer on the top. You may need to replace 11 with 22 to ensure the proper fit. We have complete faith in you to accomplish this. Tighten with Part 6 in accordance with your preference.



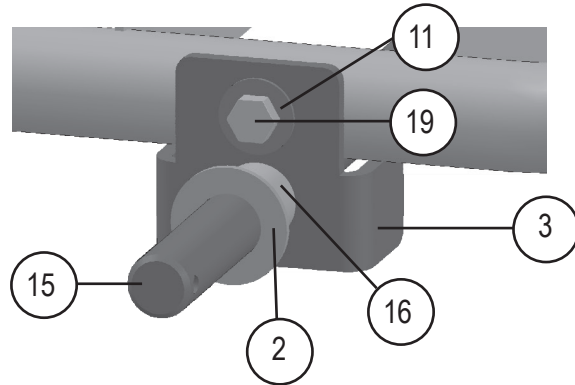
## STEP 4

- Now our efforts will go to the front foot pegs. We are proud of how easy this part is. Use Part 8 with Part 12 and Part 7. Tighten to your preference with 3/4 inch wrenches. Done. Easy.
- PRO TIP: If it was not "easy" getting the bolt started, paint may have gotten into the foot threads. You may need a power drill to insert the bolt.



## STEP 5

- All we have left is the back two tires. Since the unit is either blocked or suspended, use Part 3 with Part 19, Part 11, and Part 6 (not shown) to secure the axle bracket to the frame. After both sides are on, slide Part 15 through. Then put Part 16 on with Part 2, as shown the the right.



## STEP 6

- Slide on Part 9 and Part 2. Use cotter pin Part 20 to secure as shown to the right.
- PRO TIP: Cotter Pins slide on easier if you slide them across the flat part of the axle as opposed to trying to slide them across the round part of the axle.

