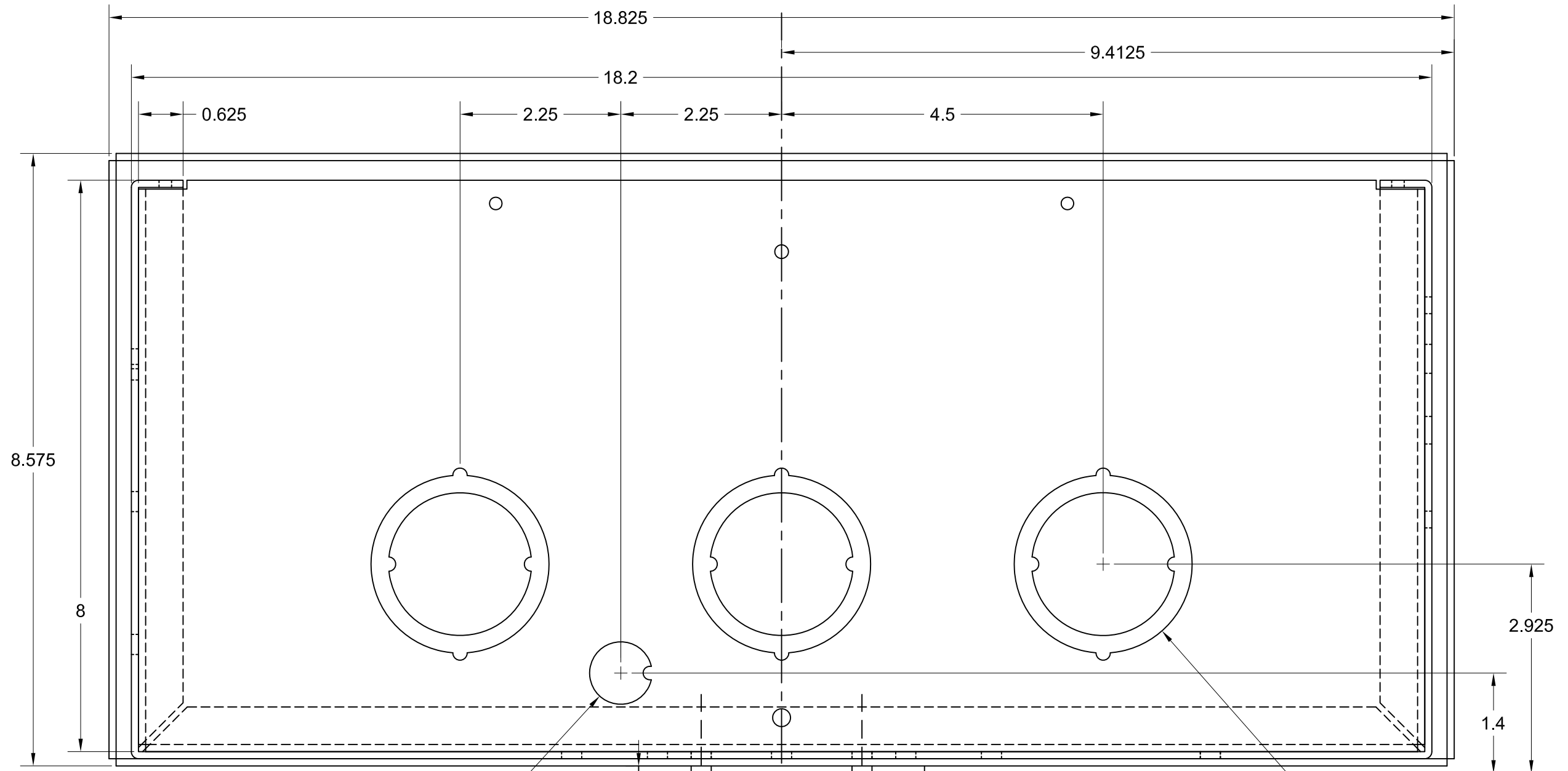


FRONT



BACK

Ø0.8740" OD KNOCKOUT
1/2" CONDUIT

OPTIONAL MOUNTING TAB

Ø2.4900" OD
DOUBLE KNOCKOUT (3)
1.5" & 2.0" CONDUIT

BOTTOM VIEW

DIMENSIONS AND K'O's SUBJECT TO CHANGE WITHOUT NOTICE.

RONK ELECTRICAL
INDUSTRIES, INC.

7225