

METER-RITE®

Grade-Level Double-Throw / Meter Socket Combo Unit
 Catalog Nos. 7205AMSH(-X,-V), 7205AMSL(-X,-V)
 NEMA 3R Rainproof Enclosure 240 Vac

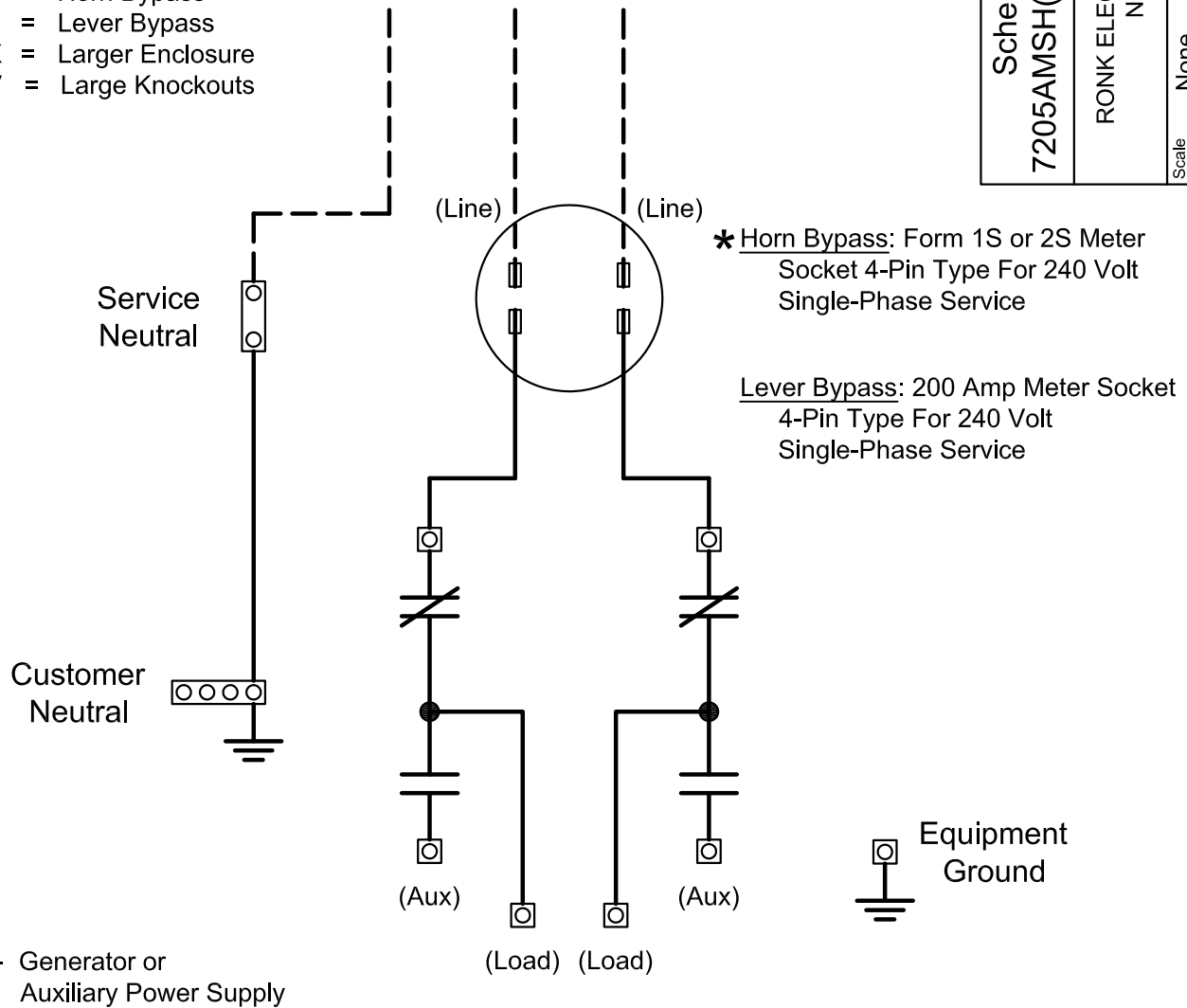
Schematic for Cat. Nos.
 7205AMSH(-X,-V), 7205AMSL(-X,-V)

RONK ELECTRICAL INDUSTRIES, INC.
 NOKOMIS, ILLINOIS

Scale	None	Drawing Number	2-5410B
Drawn	NCL		
Date	11/16/10		
Approved	PG		

240 VOLT SINGLE-PHASE SERVICE LINE

Note: H = Horn Bypass
 L = Lever Bypass
 X = Larger Enclosure
 V = Large Knockouts



SWITCH CATALOG NUMBER	SERVICE CONNECTIONS		CUSTOMER CONNECTIONS		
	LINE LUGS	NEUTRAL	AUX LUGS	LOAD LUGS	NEUTRAL
7205AMSH, 7205AMSL, 7205AMSH-X, 7205AMSL-X, 7205AMSH-V, 7205AMSL-V	350 MCM - #6 (LAY IN TERMINAL)	250 MCM - #6 (1-HOLE LUG)	250 MCM - #6 (1-HOLE LUG)	250 MCM - #6 (4-HOLE LUG)	350 MCM - #6 (3-HOLE BAR)

TIGHTENING TORQUE	
SOCKET SIZE (INCH)	TORQUE (IN-LB)
1/8	45
5/32	100
3/16	120
7/32	150
1/4	200
5/16	250
3/8	375
1/2	500
9/16	600

* CONVERTIBLE TO 5 OR 6 PIN SOCKET WITH OPTIONAL PINS.

USE COPPER WIRE RATED 75° C FOR AUXILIARY AND LOAD CONNECTIONS.

WARNING: ALL ADJUSTMENTS ON SWITCH HAVE BEEN MADE AT FACTORY AND MUST NOT BE CHANGED IN THE FIELD.

Updated Catalog Numbers, Added (-v) models to diagram.
 Revision Description
 CN 0044
 Date 02/24/15
 BY TMH

Rev **B**