

PM4500

Portable Generator

Model P0080201 UPC: 696471077810 (EPA / 49 ST)

Model P0081200 UPC: 696471080346 (EPA / 50 ST)

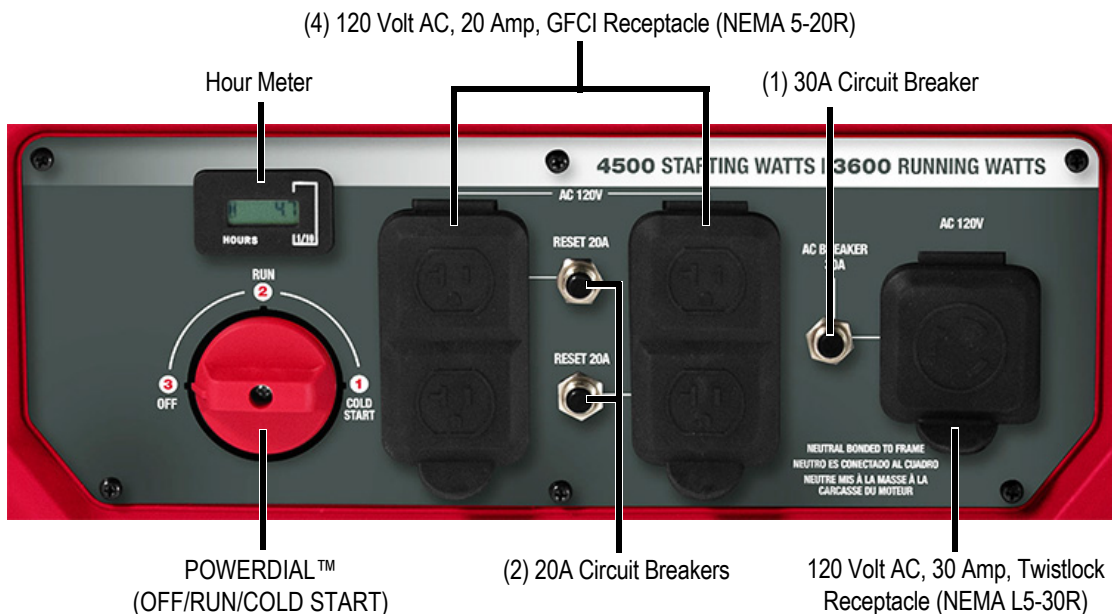
Features

- **COsense® Technology STOPS, ALERTS, SAVES.** Powerful protection from hazardous carbon monoxide.
- **POWERDIAL™ Recoil Start** (Off/Run/Cold Start) offers three operation settings integrated into on simple-to-use dial.
- **Large Capacity Steel Fuel Tank** provides durability and up to a 19 hour run time at 25% load.
- **Powered by Generac 224cc OHV Engine** provides consistent power for multiple applications.
- **8" Never Flat Wheels** for easy transportation.
- **Hour Meter** tracks run-time and maintenance intervals.
- **Low-Oil Level Shutdown** prevents engine damage.
- **Fuel Gauge** allows users to keep track of gasoline levels.
- **Covered Outlets** provide protection and keep out debris.



AC Maximum Output Starting Watts 4500
AC Rated Output Running Watts 3600

49 State/50 State Control Panel



PM4500

Specifications

Product Series	PM4500
Model (Configuration)	P0080201 (49 ST) P0081200 (50 ST)
AC Maximum Output Starting Watts	4500
AC Rated Output Running Watts	3600
Rated AC Voltage	120 VAC
Rated AC Frequency	60 Hz
Rated 120 VAC Amperage	30
Engine Displacement	224cc
Engine Type	OHV
Engine RPM	3600
Recommended Oil	10W-30
Lubrication Method	Splash
Choke Location	On Control Panel
Fuel Shut Off	On Fuel Tank
Starting Method	Recoil Pull Start
Low Oil Shutdown	Low Level
Neutral Bonded to Ground	Yes
Start Switch Type	POWERDIAL™

Start Switch Location	On Control Panel
Fuel Tank Capacity Gal (L)	5 (18.9)
Run Time at 25% of Rated Load (Hours)	19
Run Time at 50% of Rated Load (Hours)	14
Warranty- Residential	3 Year Ltd
Warranty- Commercial	90 Day

Dimensions and Weights

Extended Length in (mm)	40.9 (1039)
Length in (mm)	26.3 (667)
Width in (mm)	22.9 (582)
Height in (mm)	21.5 (547)
Carton Length in (mm)	27.4 (695)
Carton Width in (mm)	19.3 (490)
Carton Height in (mm)	19.9 (505)
Unit Weight lbs (kg)	105 (47.6)
Shipping Weight lbs (kg)	116 (52.6)

