



ISO 9001
KOHLER
 POWER SYSTEMS
 NATIONALLY REGISTERED



The KOHLER Advantage

- **Built to Last Since 1920**

For over 90 years, hospitals, airports and military bases around the world have depended on KOHLER generators.

- **Premium Warranty**

You get our premium 3-year limited warranty backed by a network of more than 10,000 dealers.

- **Custom Kits**

Legs, handles, wheels, lifting kits - whatever you want, any way you want it.

- **Free Loaner Program***

If your KOHLER generator ever goes down, just swing by one of our select dealers. We'll provide a free loaner unit for warranty repairs exceeding 24 hours.

Standard Features

- **First of its Kind**

It's the world's first portable generator with a KOHLER Command PRO® EFI engine.

The closed-loop electronic fuel ignition saves you up to \$1 on fuel for every hour in use.**

- **Easy Refills**

Accu-Fill™ feature provides safe, easy refilling - and less spilling - with angled fuel inlet.

- **Extra Engine Protection**

Oil Sentry™ automatically shuts engine down in low-oil conditions.

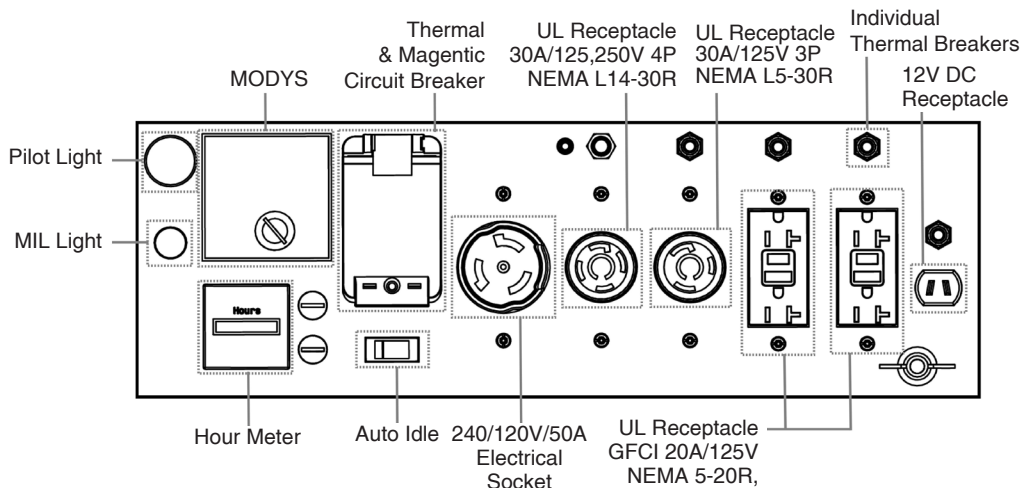
- **OSHA-Compliant**

When properly used, it's equipped to meet OSHA requirements.

- **GFCI Outlets**

Ground-fault circuit interrupter detects unbalanced electrical current and safely shuts down power.

Control Panel



* At participating dealers, based on availability.

** Compared to a comparable KOHLER carbureted engine under comparable loads and duty cycles, based on a fuel price of \$3.50/gallon. Electronic fuel injection is a fuel-saving technology featured in cars and trucks.

Specifications

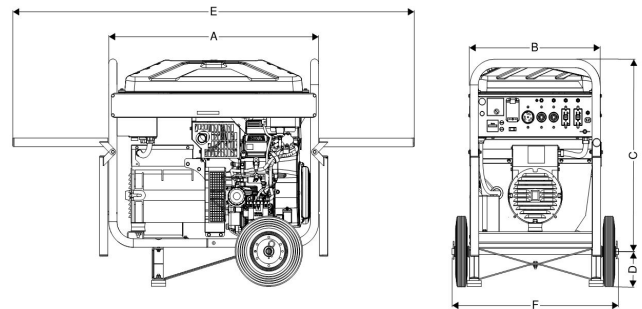
Model Name	PRO12.3EFI
Model spec	PA-PRO123EFI-3001
Compliance	3001 (EPA/CARB)
US Forestry compliance	Yes
AC rated output (running watts)	10,500
AC maximum output (motor starting watts)	12,300
AC voltage	120/240
AC frequency (Hz)	57.5-63
Total Harmonic Distortion	≤ 5%
Rated AC amperage	87.5/43.8
Max rated amperage	102.5/51.3
Engine displacement	694cc
Fuel type	Gasoline
Engine RPM	3450-3750
Recommended oil	10w30
Automatic voltage regulation	No
Choke location	No Choke (EFI)
Fuel shut off	In Tank with Filter
Starting method	Electric (Battery included)
Battery	12V 26AH
Low oil shutdown method	Low Pressure
Neutral	Neutral Bonded to Frame
Start switch type	MODYS (Remote Ready)
Switch location	On Control Panel
Fuel gauge	Yes
Fuel tank capacity	8.7gal/32.9 liters
Run time @ 50% (hours)	10
Warranty - Residential	3 Years
Warranty - Commercial	3 Years

Available Options

- Wireless Remote
- Mobility Kit (Wheels, handles & legs)

Generator Set Dimensions and Weights

A mm (in.):	894 (35)	Carton Length mm (in.):	909 (36)
B mm (in.):	569 (22)	Carton Width mm (in.):	584 (23)
C mm (in.):	770 (30)	Carton Height mm (in.):	909 (36)
D mm (in.):	140 (5.5)	Shipping Weight lbs (kg):	385 (175)
E mm (in.):	1709 (67)		
F mm (in.):	723 (28)		
Unit Weight lbs (kg):	306 (139)		



NOTE: Dimensions are provided for reference only and should not be used for planning installation. Contact your local distributor for more detailed information.

DISTRIBUTED BY: