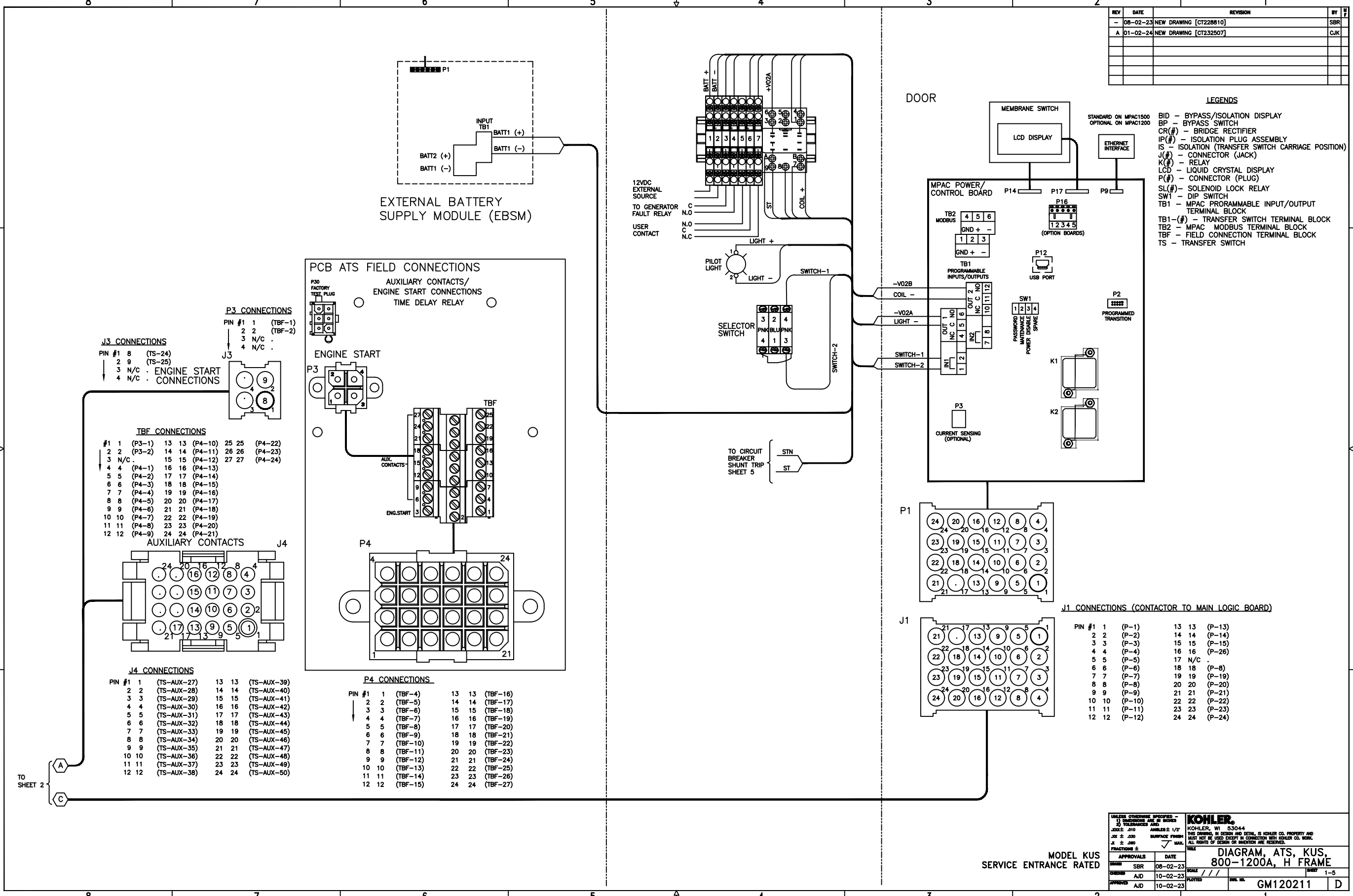


REV	DATE	REVISION	BY
-	08-02-23	NEW DRAWING [CT228810]	SBR
A	01-02-24	NEW DRAWING [CT232507]	CJK

- LEGENDS**
- BID - BYPASS/ISOLATION DISPLAY
  - BP - BYPASS SWITCH
  - CR(#)- BRIDGE RECTIFIER
  - IP(#)- ISOLATION PLUG ASSEMBLY
  - IS - ISOLATION (TRANSFER SWITCH CARRIAGE POSITION)
  - J(#)- CONNECTOR (JACK)
  - K(#)- RELAY
  - LCD - LIQUID CRYSTAL DISPLAY
  - P(#)- CONNECTOR (PLUG)
  - SL(#)- SOLENOID LOCK RELAY
  - SW1 - DIP SWITCH
  - TB1 - MPAC PROGRAMMABLE INPUT/OUTPUT TERMINAL BLOCK
  - TB1-(#)- TRANSFER SWITCH TERMINAL BLOCK
  - TB2 - MPAC MODBUS TERMINAL BLOCK
  - TBF - FIELD CONNECTION TERMINAL BLOCK
  - TS - TRANSFER SWITCH

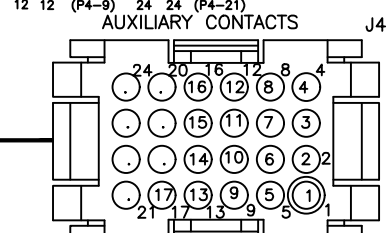


**J3 CONNECTIONS**

PIN #1	8	(TS-24)
2	9	(TS-25)
3	N/C	ENGINE START CONNECTIONS
4	N/C	

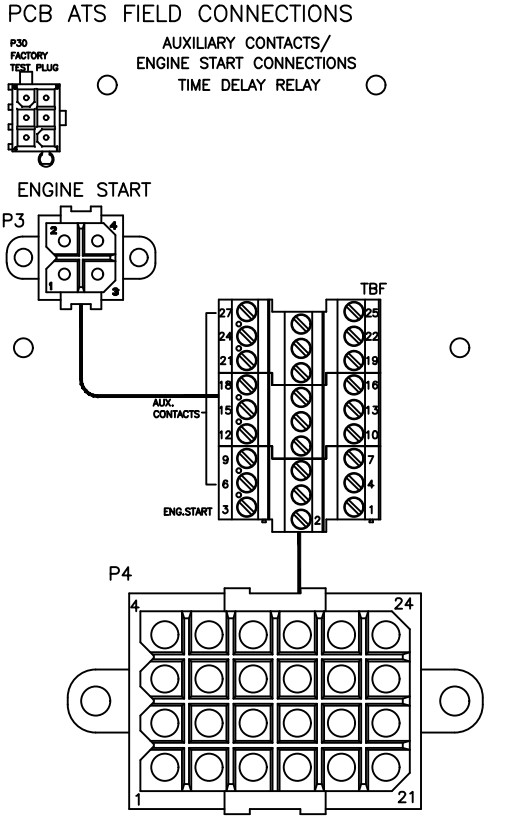
**TBF CONNECTIONS**

#1	1	(P3-1)	13	13	(P4-10)	25	25	(P4-22)
2	2	(P3-2)	14	14	(P4-11)	26	26	(P4-23)
3	N/C		15	15	(P4-12)	27	27	(P4-24)
4	4	(P4-1)	16	16	(P4-13)			
5	5	(P4-2)	17	17	(P4-14)			
6	6	(P4-3)	18	18	(P4-15)			
7	7	(P4-4)	19	19	(P4-16)			
8	8	(P4-5)	20	20	(P4-17)			
9	9	(P4-6)	21	21	(P4-18)			
10	10	(P4-7)	22	22	(P4-19)			
11	11	(P4-8)	23	23	(P4-20)			
12	12	(P4-9)	24	24	(P4-21)			



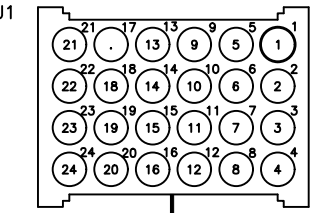
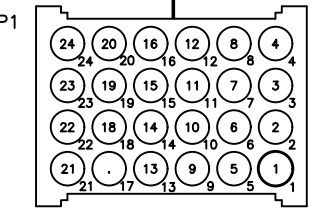
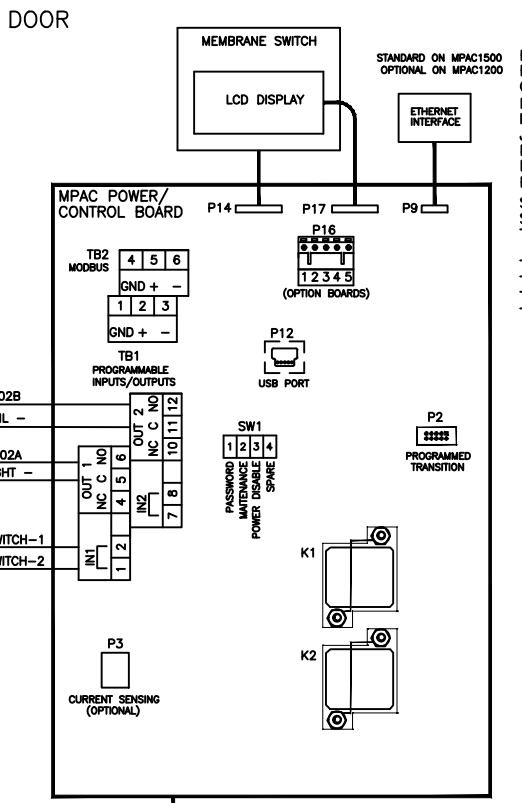
**J4 CONNECTIONS**

PIN #1	1	(TS-AUX-27)	13	13	(TS-AUX-39)
2	2	(TS-AUX-28)	14	14	(TS-AUX-40)
3	3	(TS-AUX-29)	15	15	(TS-AUX-41)
4	4	(TS-AUX-30)	16	16	(TS-AUX-42)
5	5	(TS-AUX-31)	17	17	(TS-AUX-43)
6	6	(TS-AUX-32)	18	18	(TS-AUX-44)
7	7	(TS-AUX-33)	19	19	(TS-AUX-45)
8	8	(TS-AUX-34)	20	20	(TS-AUX-46)
9	9	(TS-AUX-35)	21	21	(TS-AUX-47)
10	10	(TS-AUX-36)	22	22	(TS-AUX-48)
11	11	(TS-AUX-37)	23	23	(TS-AUX-49)
12	12	(TS-AUX-38)	24	24	(TS-AUX-50)



**P4 CONNECTIONS**

PIN #1	1	(TBF-4)	13	13	(TBF-16)
2	2	(TBF-5)	14	14	(TBF-17)
3	3	(TBF-6)	15	15	(TBF-18)
4	4	(TBF-7)	16	16	(TBF-19)
5	5	(TBF-8)	17	17	(TBF-20)
6	6	(TBF-9)	18	18	(TBF-21)
7	7	(TBF-10)	19	19	(TBF-22)
8	8	(TBF-11)	20	20	(TBF-23)
9	9	(TBF-12)	21	21	(TBF-24)
10	10	(TBF-13)	22	22	(TBF-25)
11	11	(TBF-14)	23	23	(TBF-26)
12	12	(TBF-15)	24	24	(TBF-27)



**J1 CONNECTIONS (CONTACTOR TO MAIN LOGIC BOARD)**

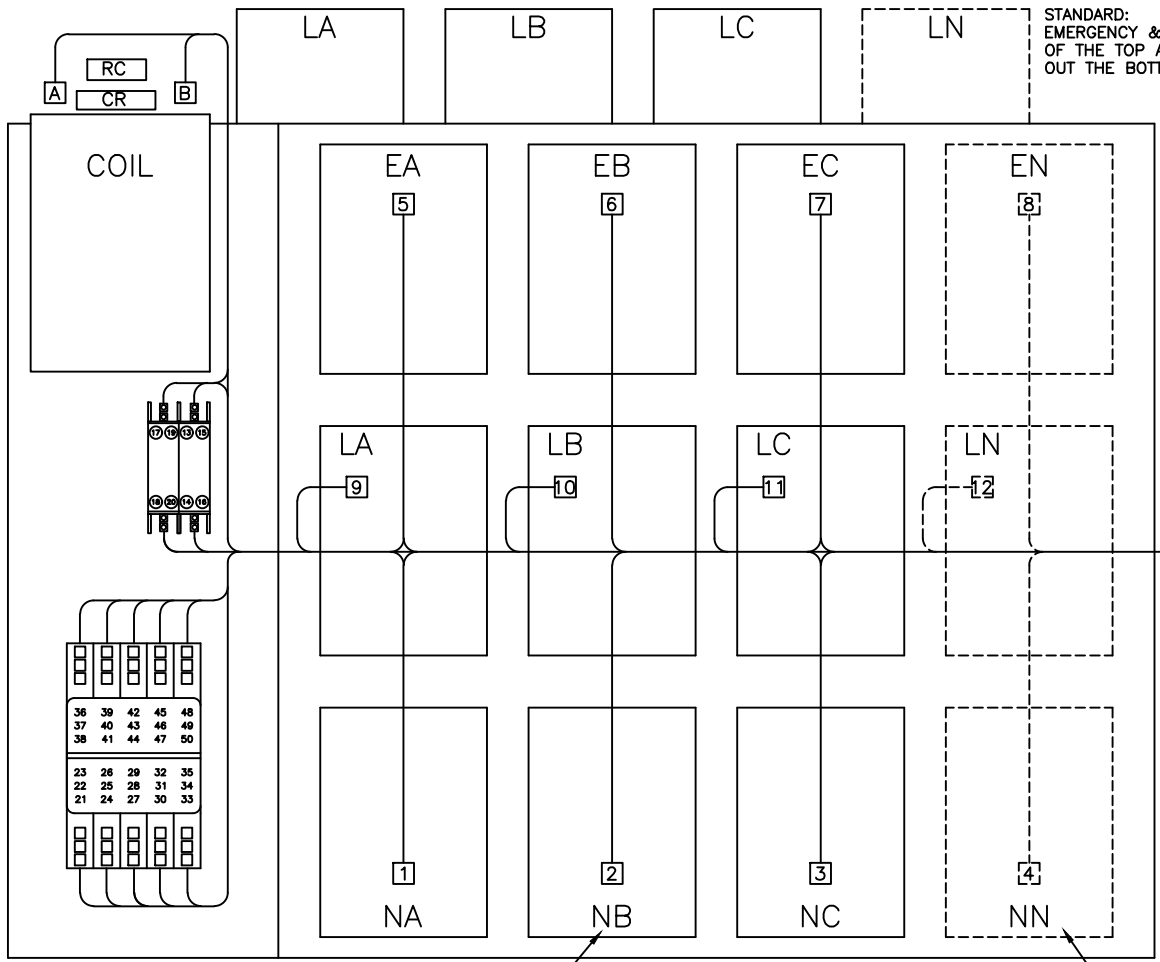
PIN #1	1	(P-1)	13	13	(P-13)
2	2	(P-2)	14	14	(P-14)
3	3	(P-3)	15	15	(P-15)
4	4	(P-4)	16	16	(P-26)
5	5	(P-5)	17	N/C	
6	6	(P-6)	18	18	(P-8)
7	7	(P-7)	19	19	(P-19)
8	8	(P-8)	20	20	(P-20)
9	9	(P-9)	21	21	(P-21)
10	10	(P-10)	22	22	(P-22)
11	11	(P-11)	23	23	(P-23)
12	12	(P-12)	24	24	(P-24)

UNLESS OTHERWISE SPECIFIED - DIMENSIONS ARE IN INCHES TOLERANCES ARE:		<b>KOHLER.</b>	
SIZE	± .010	ANGLE ± 1/2°	KOHLER, WI 53044
DRILL	± .030	SURFACE FINISH	THIS DRAWING, IN DESIGN AND DETAIL, IS KOHLER CO. PROPERTY AND MUST NOT BE USED EXCEPT IN CONNECTION WITH KOHLER CO. WORK. ALL RIGHTS OF DESIGN OR INVENTION ARE RESERVED.
FRACTIONS	±	MAX.	
APPROVALS	DATE	TITLE	DIAGRAM, ATS, KUS, 800-1200A, H FRAME
DESIGN SBR	08-02-23	SCALE	1-5
CHECKER A/JD	10-02-23	PLOTTED	
APPROVED A/JD	10-02-23	REV. NO.	GM120211

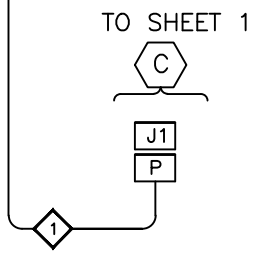
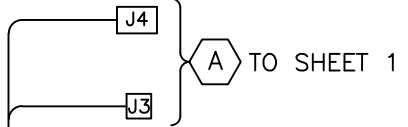
MODEL KUS  
SERVICE ENTRANCE RATED

REV	DATE	REVISION	BY
-	08-02-23	NEW DRAWING [CT228810]	SBR
A	01-02-24	NEW DRAWING [CT232507]	CJK

TS (TRANSFER SWITCH)



STANDARD:  
EMERGENCY & LOAD OUT  
OF THE TOP AND NORMAL  
OUT THE BOTTOM.



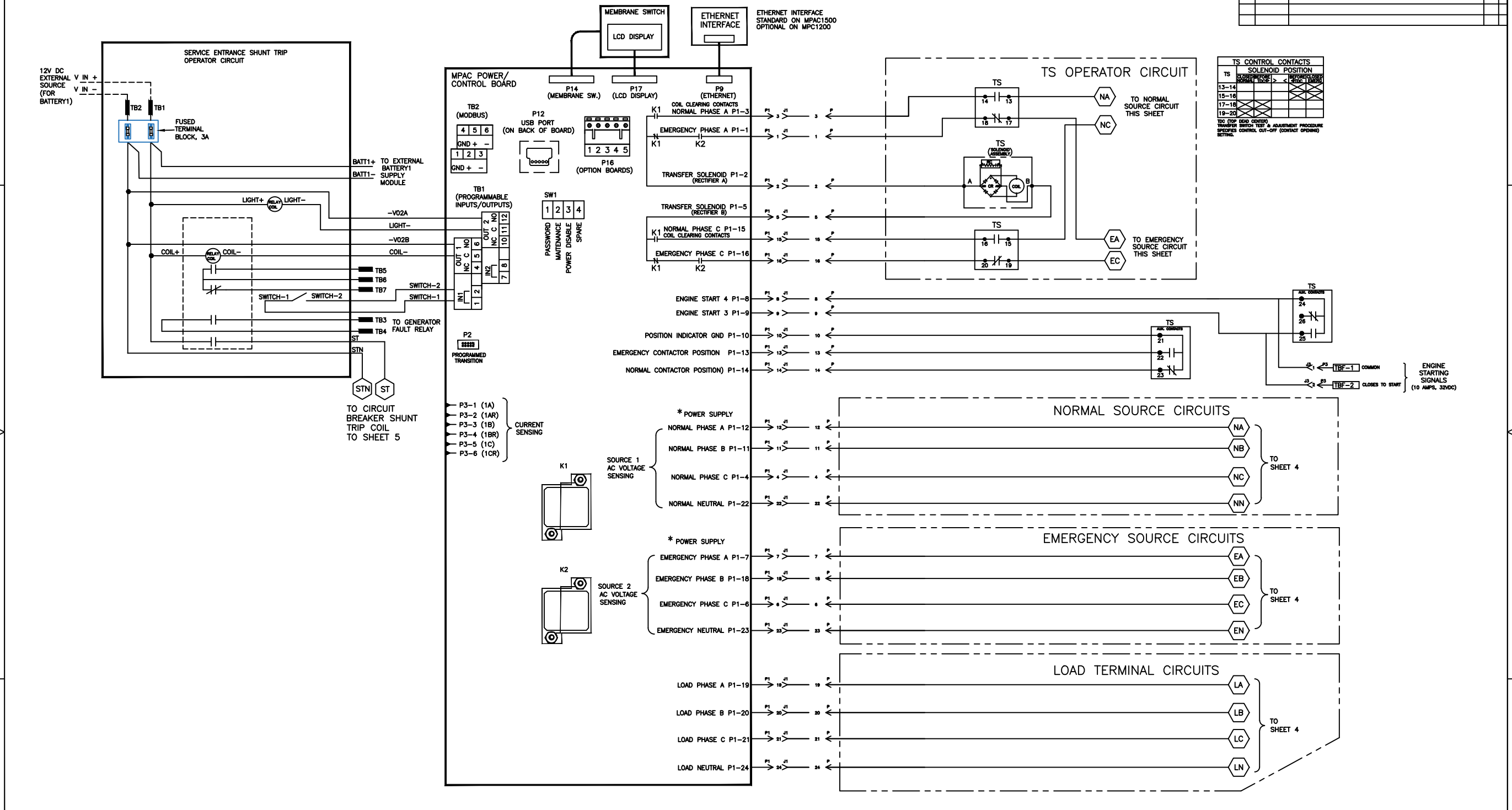
SINGLE PHASE  
OMITS B PHASE

OPTIONAL:  
SOLID NEUTRAL  
OVERLAPPING NEUTRAL  
SWITCHING NEUTRAL

MODEL KUS  
SERVICE ENTRANCE RATED

UNLESS OTHERWISE SPECIFIED - 1) DIMENSIONS ARE IN INCHES 2) TOLERANCES ARE: FRACTIONS ± DECIMALS ± ANGLES ± 1/2° SURFACE FINISH: MAX. PLATED		<b>KOHLER</b> KOHLER, WI 53044 THIS DRAWING, IN DESIGN AND DETAIL, IS KOHLER CO. PROPERTY AND MAY NOT BE USED EXCEPT IN CONNECTION WITH KOHLER CO. WORK. ALL RIGHTS OF DESIGN OR INVENTION ARE RESERVED.	
TITEL <b>DIAGRAM, ATS, KUS, 800-1200A, H FRAME</b>		DATE 08-02-23	BY SBR
SERIES SERVICE ENTRANCE RATED		DATE 10-02-23	BY A/JD
REV. NO. <b>GM120211</b>		DATE 10-02-23	BY A/JD
SHEET NO. <b>2-5</b>		SHEET <b>D</b>	

REV	DATE	REVISION	BY
-	08-02-23	NEW DRAWING [CT228810]	SBR
A	01-02-24	NEW DRAWING [CT232507]	CJK



TS	SOLENOID POSITION	CLOSED POSITION	OPEN POSITION
13-14			
15-16			
17-18			
19-20			

TS TOP LEAD GENERATOR  
TRANSFER SWITCH TEST & ADJUSTMENT PROCEDURE  
SPECIFIC CONTROL OUT-OF-COMMUNICATION  
SETTING

ENGINE STARTING SIGNALS (10 AMPS, 3000C)  
 TBF-1 COMMON  
 TBF-2 CLOSERS TO START

NOTE: SINGLE PHASE OMITTS B PHASE

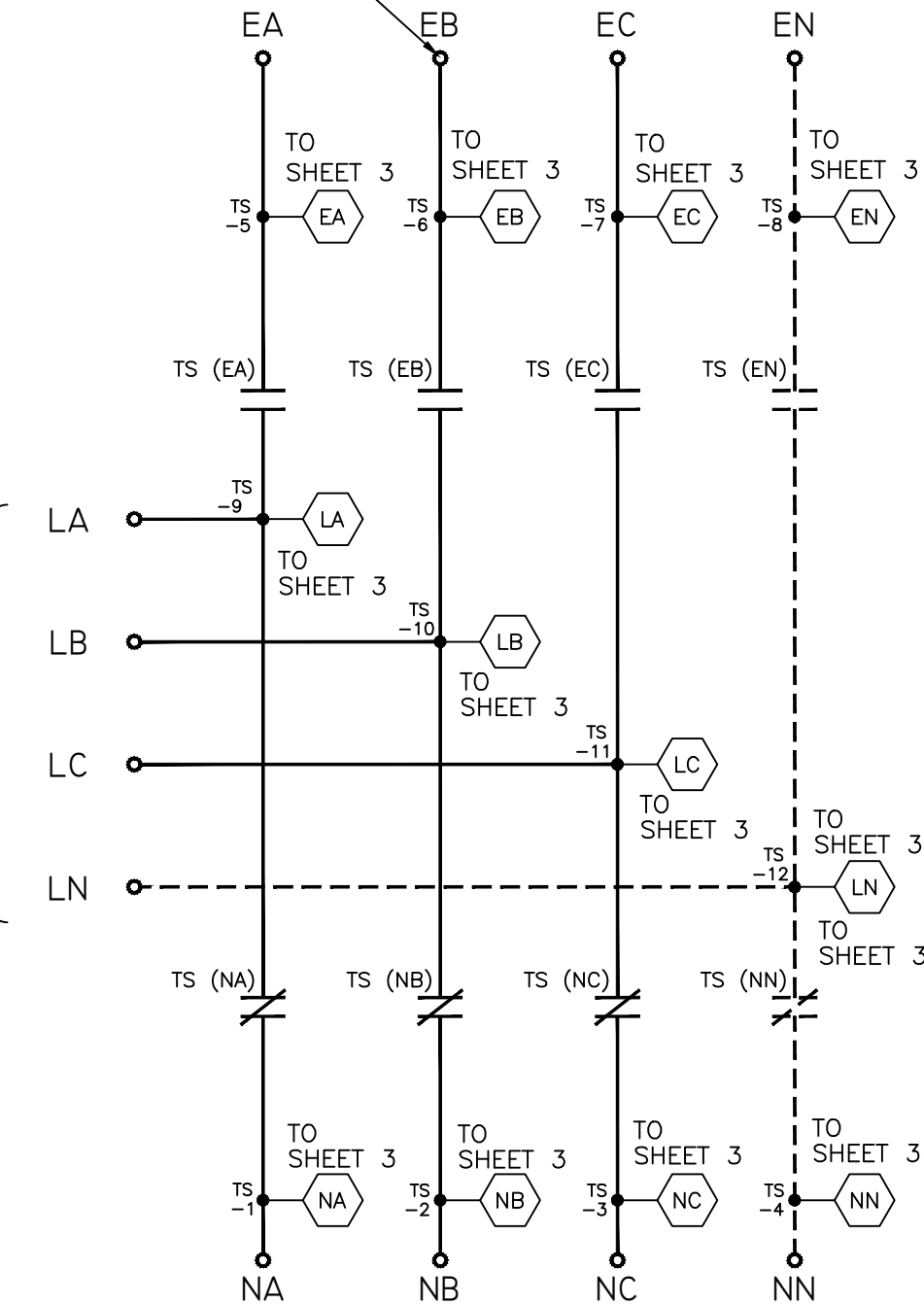
<small>UNLESS OTHERWISE SPECIFIED -          1) DIMENSIONS ARE IN INCHES          2) TOLERANCES ARE:          .000 ± .010 SURFACE FINISH          .000 ± .000 MAX.          FRACTIONS ±</small>		<b>KOHLER</b> KOHLER, WI 53044 <small>THIS DRAWING, IN DESIGN AND DETAIL, IS KOHLER CO. PROPERTY AND          MUST NOT BE USED EXCEPT IN CONNECTION WITH KOHLER CO. WORK.          ALL RIGHTS OF DESIGN OR INVENTION ARE RESERVED.</small>	
<b>MODEL KUS          SERVICE ENTRANCE RATED</b>		<b>DIAGRAM, ATS, KUS,          800-1200A, H FRAME</b>	
APPROVALS	DATE	SCALE	SHEET 3-5
DESIGN SBR	08-02-23	PLOTTED	
CHECKED A/JD	10-02-23		
APPROVED A/JD	10-02-23		

REV. NO. GM120211 D

REV	DATE	REVISION	BY
-	08-02-23	NEW DRAWING [CT228810]	SBR
A	01-02-24	NEW DRAWING [CT232507]	CLK

SINGLE PHASE  
OMITS B PHASE

EMERGENCY

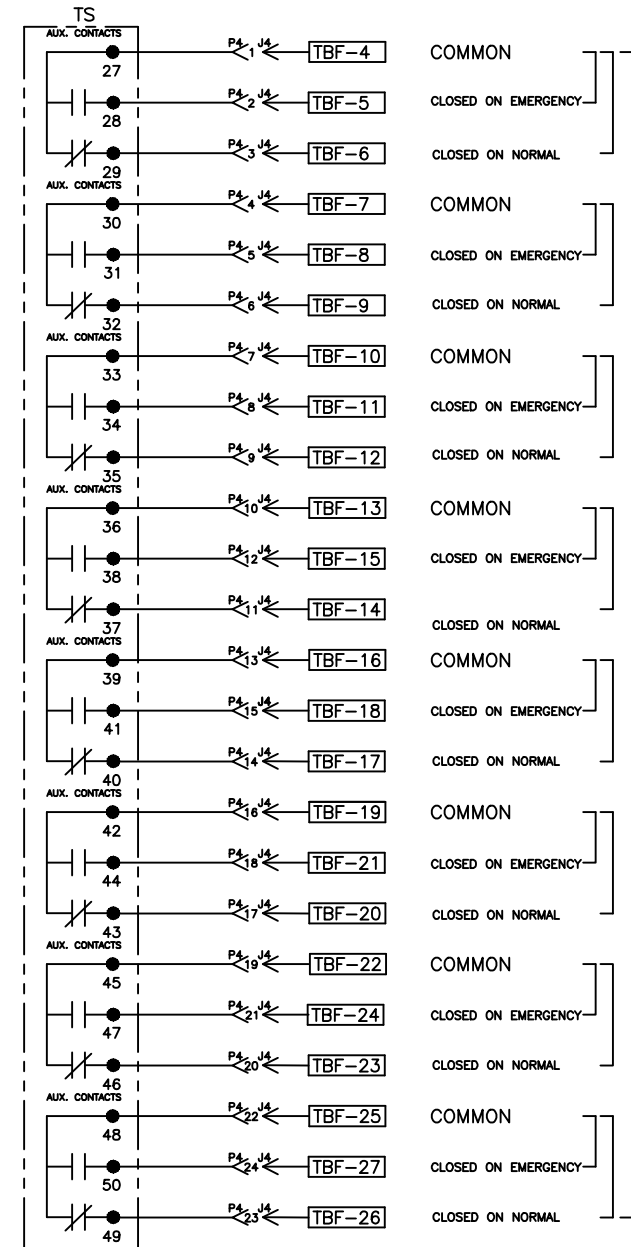


LOAD

NORMAL

GENERAL NOTES

1. SWITCH SHOWN DE-ENERGIZED AND CONNECTED TO THE NORMAL SOURCE.
2. ALL WIRING IS #16 AWG, TINNED, STRANDED COPPER UNLESS OTHERWISE INDICATED.
3. ○ ON TERMINAL BLOCKS INDICATES AVAILABLE FIELD CONNECTION POINT.
4. ● ON TERMINAL BLOCKS INDICATES FACTORY CONNECTION POINT.

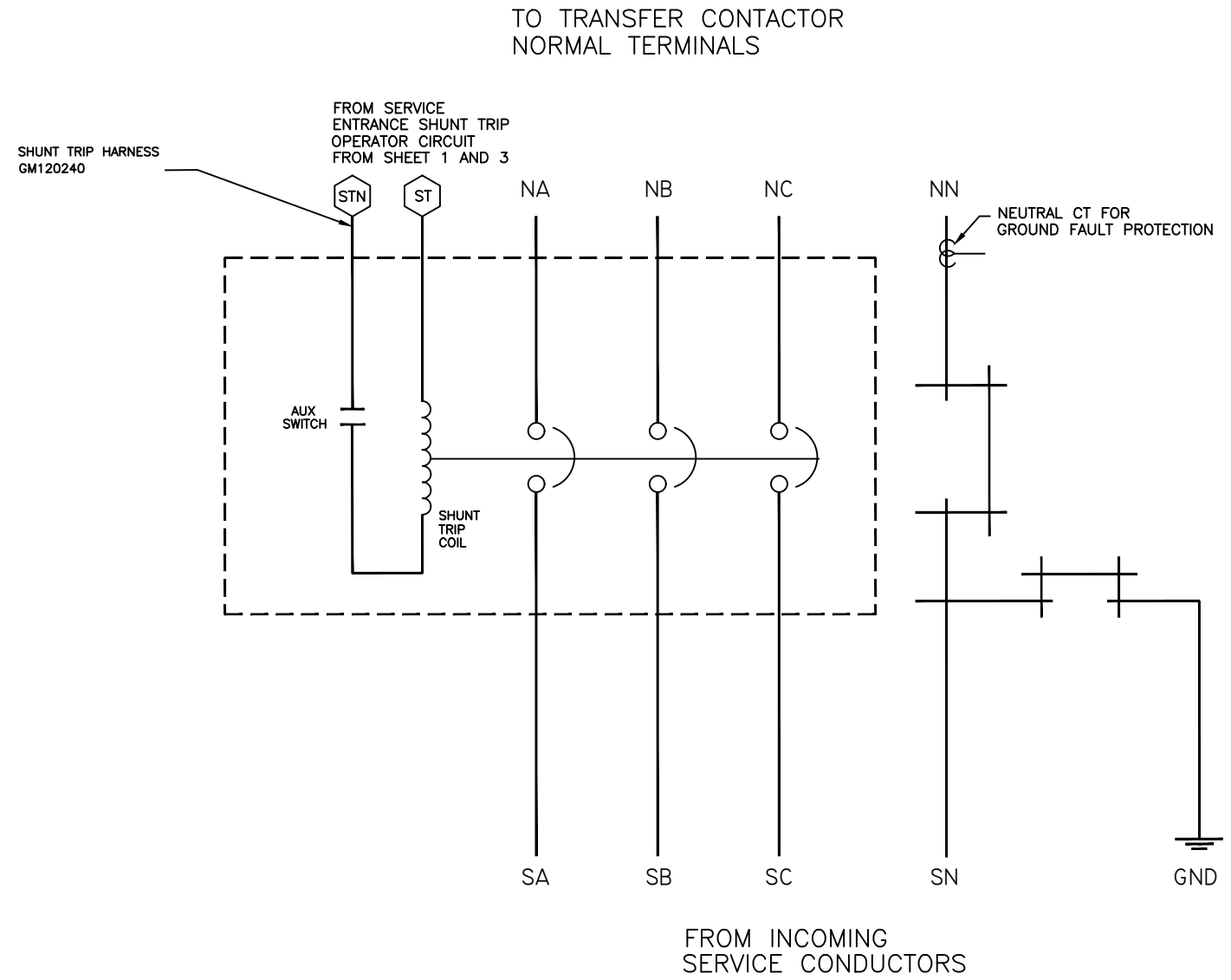


TS  
AUXILIARY  
CONTACTS  
(10 AMPS, 32VDC)  
(10 AMPS, 250VAC)  
GENERAL PURPOSE

MODEL KUS  
SERVICE ENTRANCE RATED

UNLESS OTHERWISE SPECIFIED - 1) DIMENSIONS ARE IN INCHES 2) TOLERANCES ARE: FRACTIONS ± DECIMALS ± SURFACE FINISH: MAX. ANGLE: 1/2°		<b>KOHLER</b> KOHLER, WI 53044 THIS DRAWING, IN DESIGN AND DETAIL, IS KOHLER CO. PROPERTY AND MUST NOT BE USED EXCEPT IN CONNECTION WITH KOHLER CO. WORK. ALL RIGHTS OF DESIGN OR INVENTION ARE RESERVED.	
TITLE: <b>DIAGRAM, ATS, KUS, 800-1200A, H FRAME</b>		SCALE: / / /	SHEET: 4-5
APPROVALS:	DATE:	PLOTTED:	REV. NO.:
DESIGNED: SBR	08-02-23		GM120211
CHECKED: A/JD	10-02-23		
APPROVED: A/JD	10-02-23		

REV	DATE	REVISION	BY
-	08-02-23	NEW DRAWING [CT228810]	SBR
A	01-02-24	NEW DRAWING [CT232507]	CJK



MODEL KUS  
SERVICE ENTRANCE RATED

UNLESS OTHERWISE SPECIFIED - 1) DIMENSIONS ARE IN INCHES 2) TOLERANCES ARE: FRACTIONS ± SURFACE FINISH: MAX. DECIMALS ± ANGLES ± 1/2°		<b>KOHLER</b> KOHLER, WI 53044 THIS DRAWING, IN DESIGN AND DETAIL, IS KOHLER CO. PROPERTY AND MAY NOT BE USED EXCEPT IN CONNECTION WITH KOHLER CO. WORK. ALL RIGHTS OF DESIGN OR INVENTION ARE RESERVED.	
TITEL <b>DIAGRAM, ATS, KUS, 800-1200A, H FRAME</b>		SCALE ///	SHEET 5-5
APPROVALS	DATE	PLOTTED	REV. NO.
DESIGN SBR	08-02-23		GM120211
CHECKED A/JD	10-02-23		
APPROVED A/JD	10-02-23		D