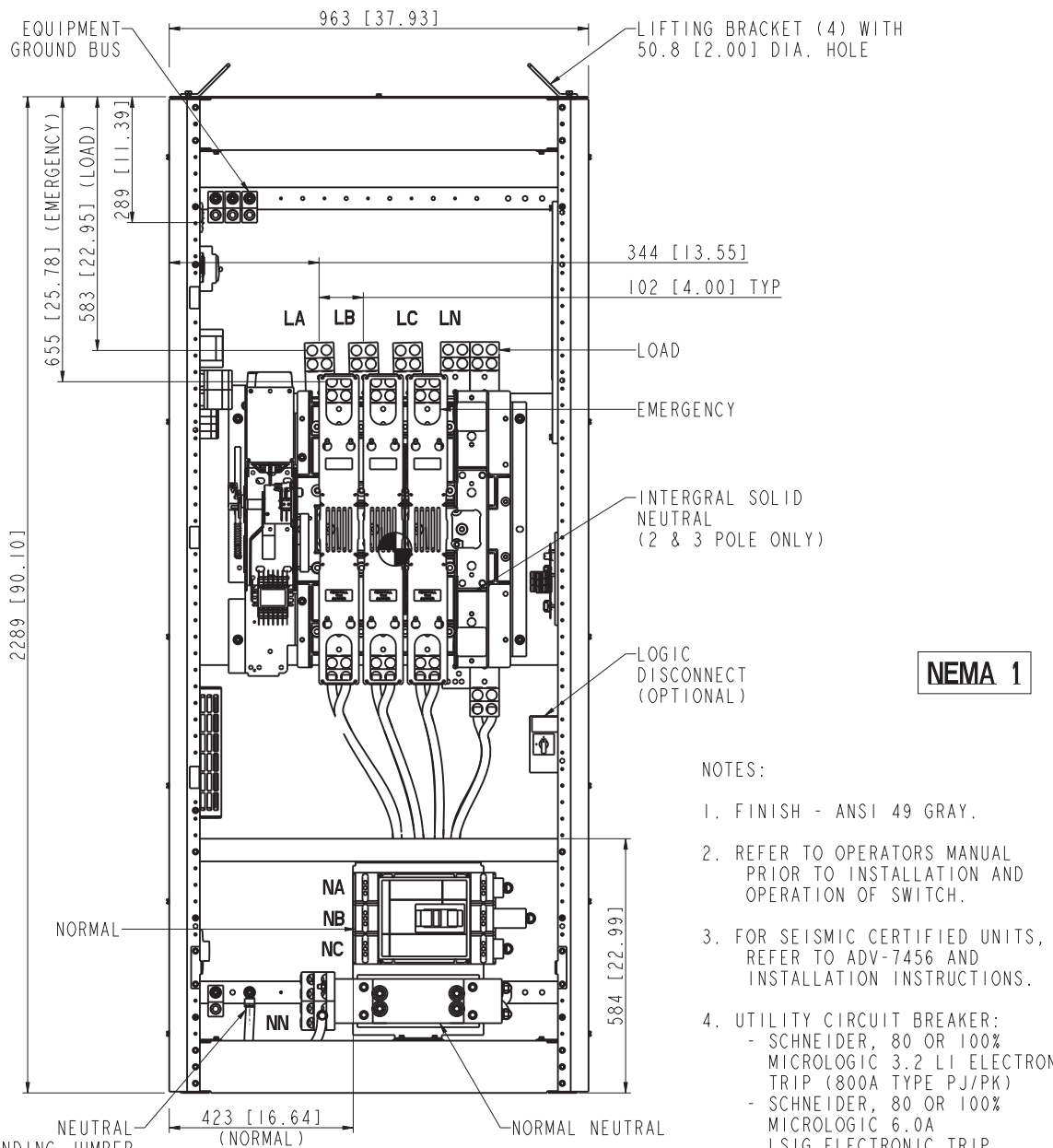
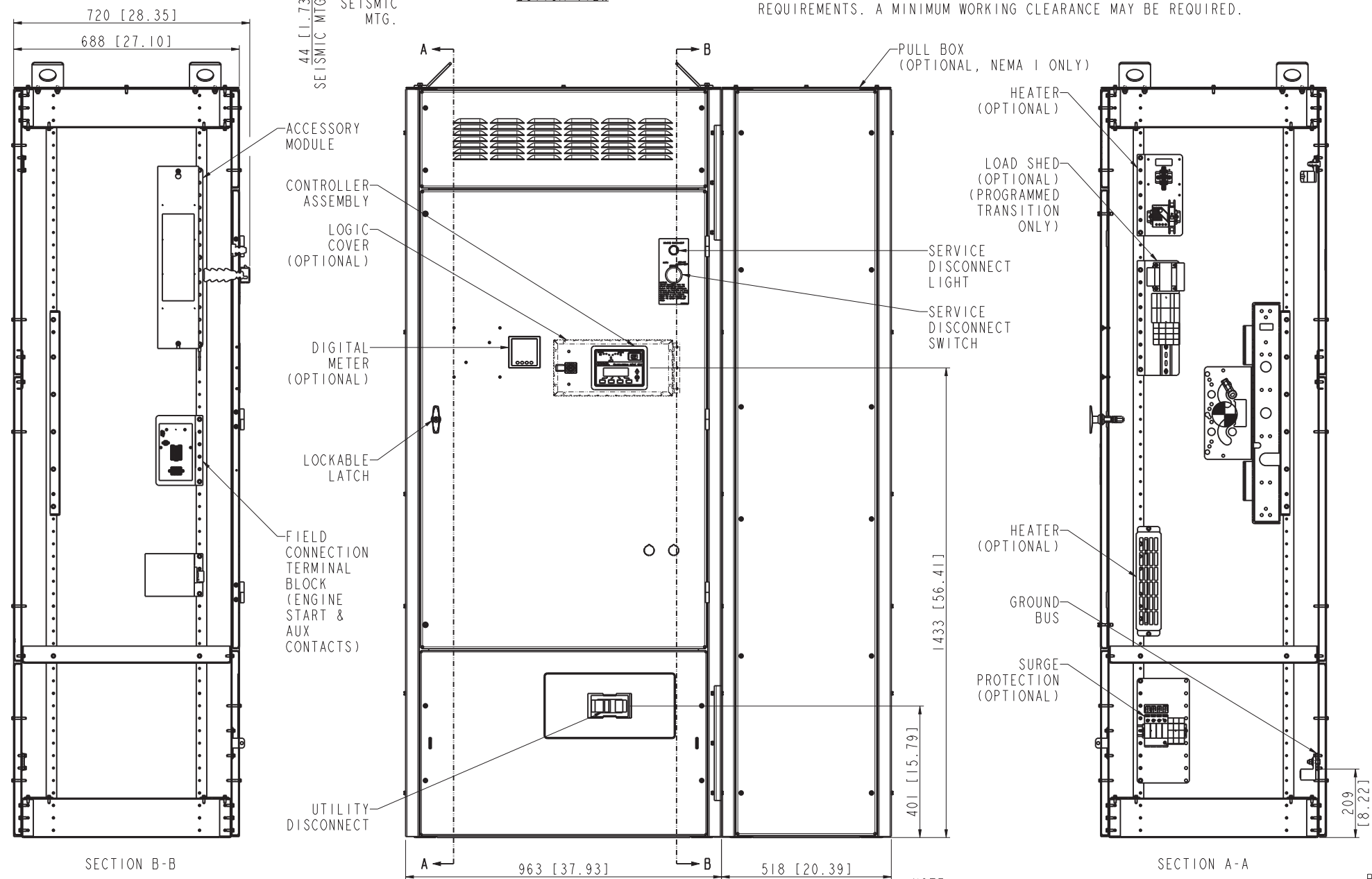
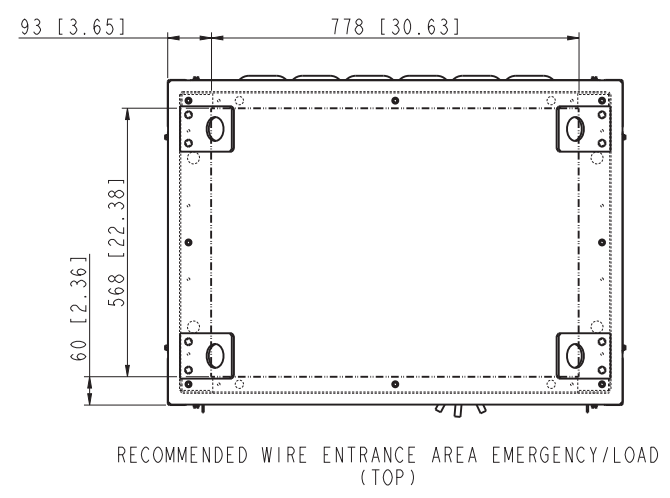
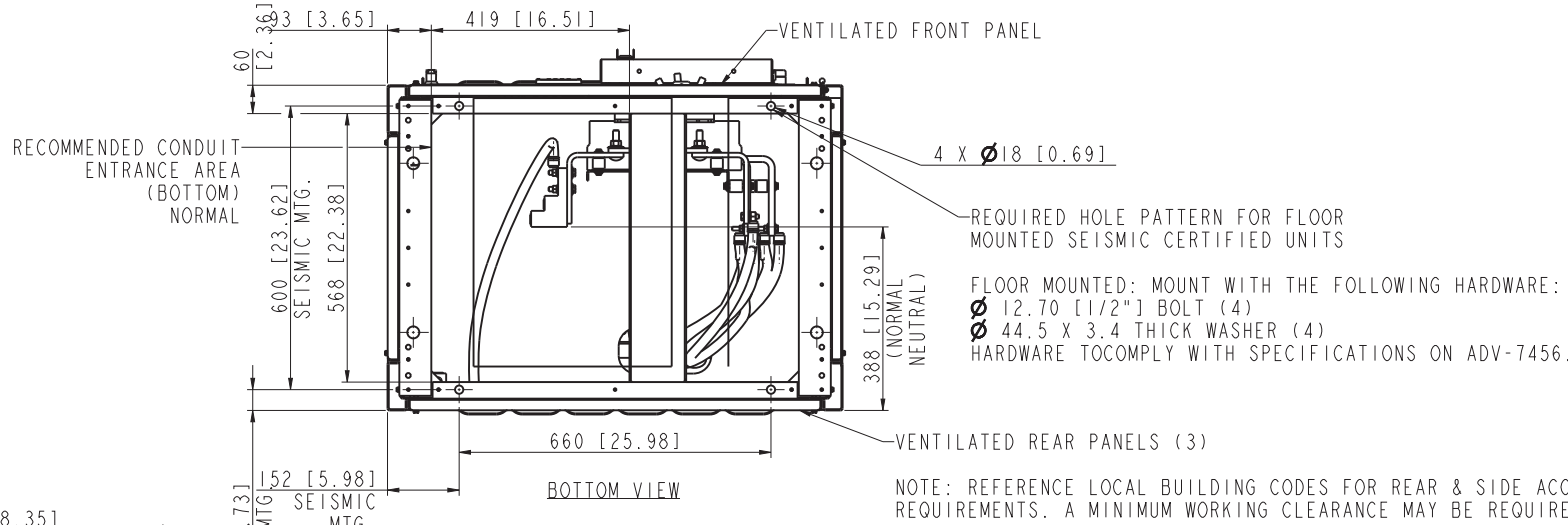


WEIGHT KG [LBS] APPROX.		
TRANSITION	3P	4P
STANDARD	497 [1095]	519 [1145]
PROG	513 [1130]	537 [1184]



- NOTES:
1. FINISH - ANSI 49 GRAY.
  2. REFER TO OPERATORS MANUAL PRIOR TO INSTALLATION AND OPERATION OF SWITCH.
  3. FOR SEISMIC CERTIFIED UNITS, REFER TO ADV-7456 AND INSTALLATION INSTRUCTIONS.
  4. UTILITY CIRCUIT BREAKER:
    - SCHNEIDER, 80 OR 100% MICROLOGIC 3.2 LI ELECTRONIC TRIP (800A TYPE PJ/PK)
    - SCHNEIDER, 80 OR 100% MICROLOGIC 6.0A LSIG ELECTRONIC TRIP (1000/1200A TYPE PJ/PK)

NOTE: ALLOW FOR MINIMUM DOOR SWING CLEARANCE OF 963 IN FRONT OF CABINET

SWITCH RATING (AMPS)	SCREW TYPE TERMINALS FOR EXTERNAL POWER CONNECTION			
	RANGE AL/CU OF WIRE SIZES			
EMERGENCY/LOAD PER PHASE	NORMAL	NEUTRAL	GROUND	
800-1200 (4) 1/0 TO 750 MCM	800: (3) 3/0 TO 500 MCM 1000-1200: (4) 3/0 TO 500 MCM	(12) 1/0 TO 750 MCM	NEMA 1: (3) #4 TO 500 MCM NEMA 3R/4/4X/12: (3) #4 TO 600 MCM or (6) 1/0 TO 250 MCM	

SEE ADV-8565 FOR FULL MODEL CODE DEFINITION											
STYLE	MECHANISM	TRANSITION	MPAC LOGIC	VOLTS	POLES	NEUTRAL	ENCLOSURE	AMPS	CONNECTION	UTILITY DISCONNECT	FAULT LEVEL
KUS	SERV. ENTR.	STD/PROG	1500	208-480V	2/3/4	SOLID, SW	1/3R/4/4X/12	800	STANDARD	80/100% ET	STD
KUS	SERV. ENTR.	STD/PROG	1500	600V	2/3/4	SOLID, SW	1/3R/4/4X/12	800	STANDARD	80/100% ET	STD/HIGH
KUS	SERV. ENTR.	STD/PROG	1500	208-480V	3/4	SOLID, SW	1/3R/4/4X/12	1000-1200	STANDARD	80/100% ET	STD
KUS	SERV. ENTR.	STD/PROG	1500	600V	3/4	SOLID, SW	1/3R/4/4X/12	1000-1200	STANDARD	80/100% ET	STD/HIGH

REV	DATE	ON COMPOSITE DWG, SEE PART NO. FOR REVISION LEVEL. (1) INDICATES PART NUMBERS AFFECTED BY LATEST DRAWING REVISION	BY
-	30MAY2023	NEW DRAWING [CT229803]	NMD
A	08NOV2023	(A,B,C-5,6) ADDED PULL BOX; ADDED DUAL DIM; (D-6) UPDATED SEISMIC NOTE; (D-1) UPDATED DUAL WEIGHT; [CT231463]	ZHK

THIRD ANGLE PROJECTION

MAJOR DIMENSIONS IN MILLIMETERS

GENERAL TOLERANCES:

2.0 ± 0.15 SURFACE FINISH

ANGLE ± 0.5° MAX.

DRAWN: NMD DATE: 30MAY2023

APPROVED: 08NOV2023

DO NOT SCALE. THIS ASSEMBLY OR PART MUST COMPLY WITH PEP-RML-001. REFERENCE CAD MODEL FOR UNSPECIFIED DIMENSIONS.

**KOHLER**

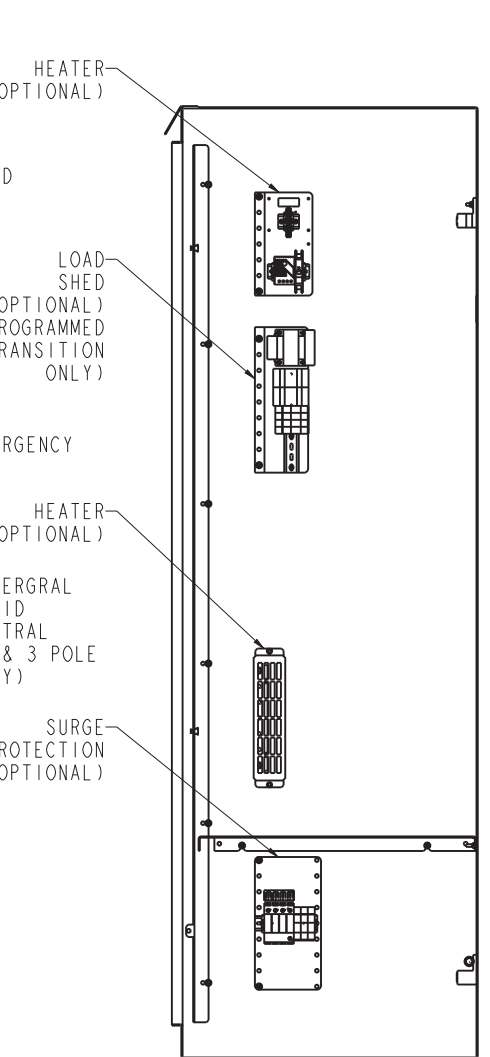
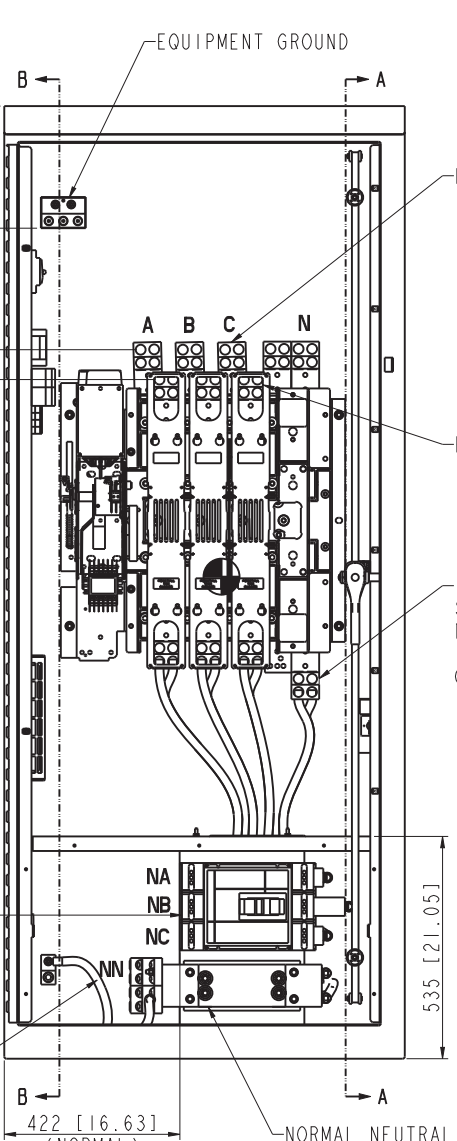
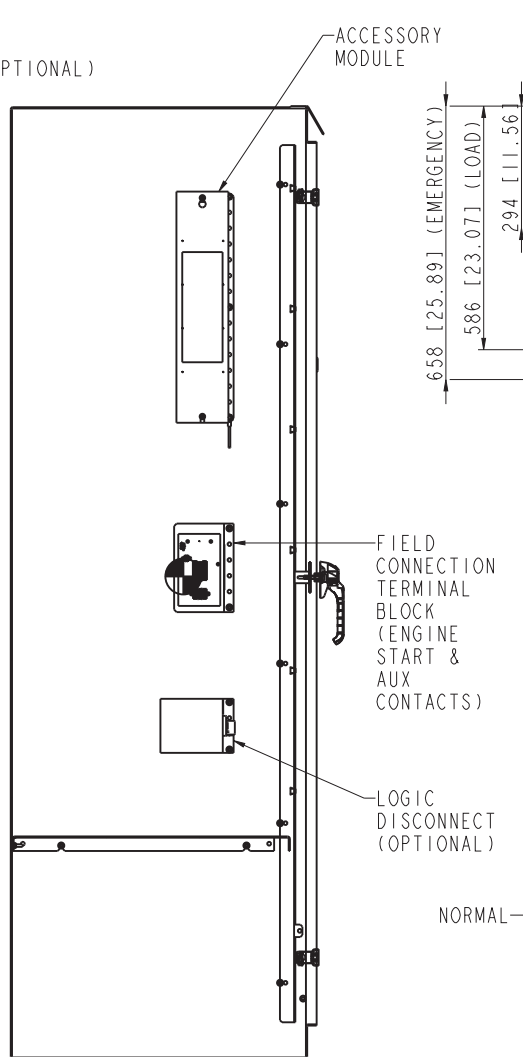
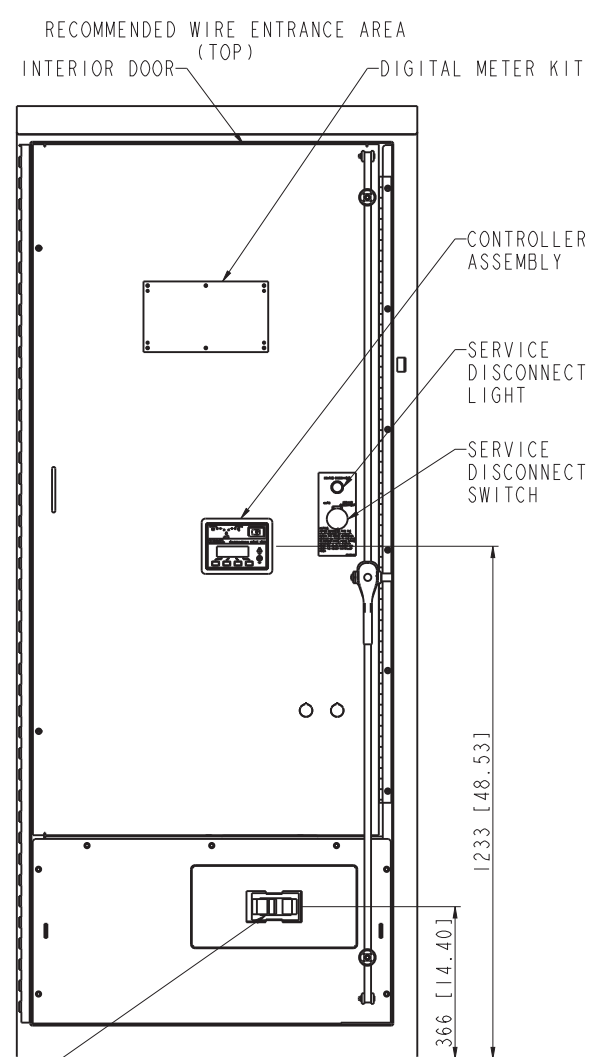
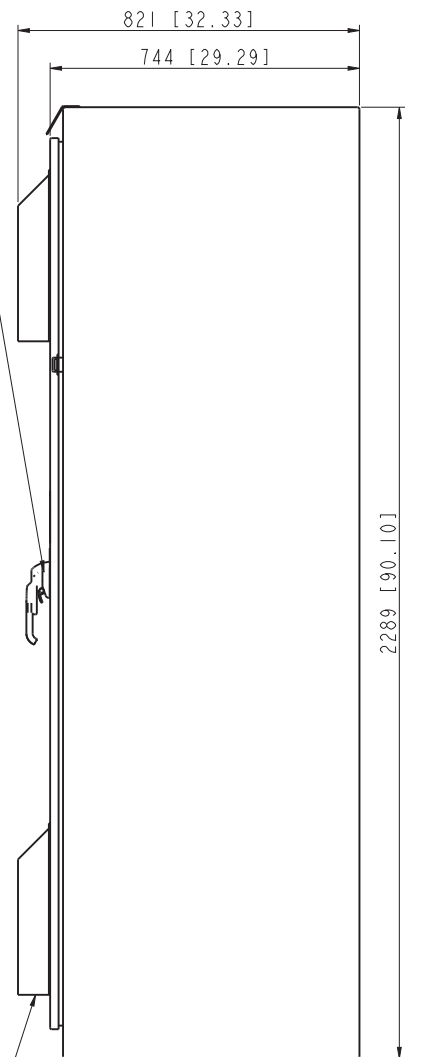
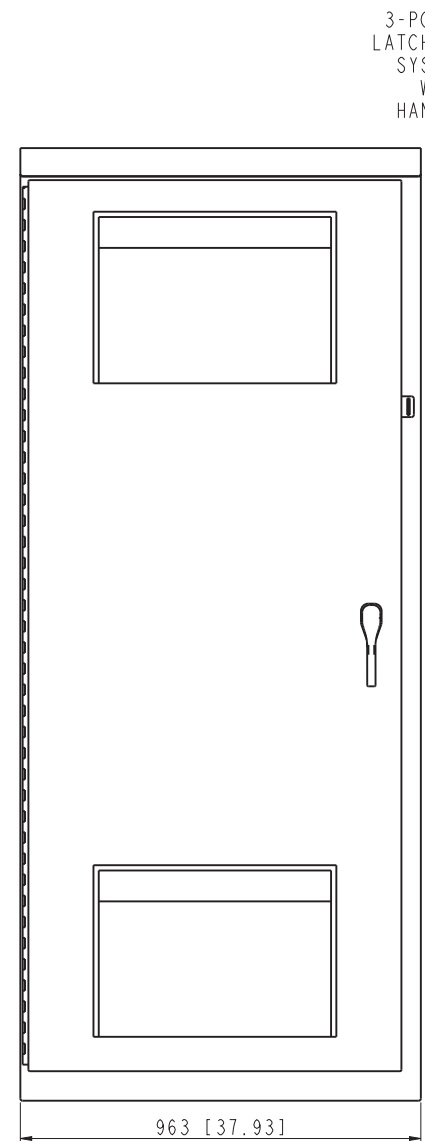
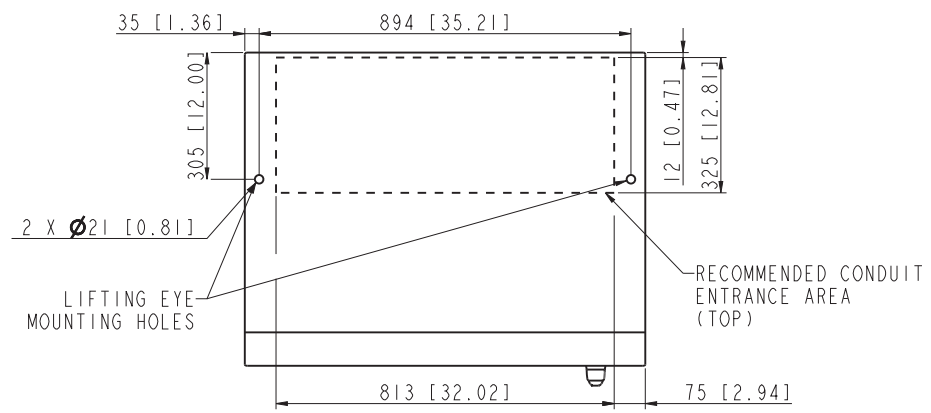
SCALE: 0.125 SHEET SIZE: D SHEET: 1 OF 3

Dimension Print, SE ATS 800-1200A

DWG NO.: ADV-9985

WEIGHT KG [LBS] APPROX.	
TRANSITION	3P 4P
STANDARD	510 [1125] 533 [1175]
PROG	526 [1160] 551 [1214]

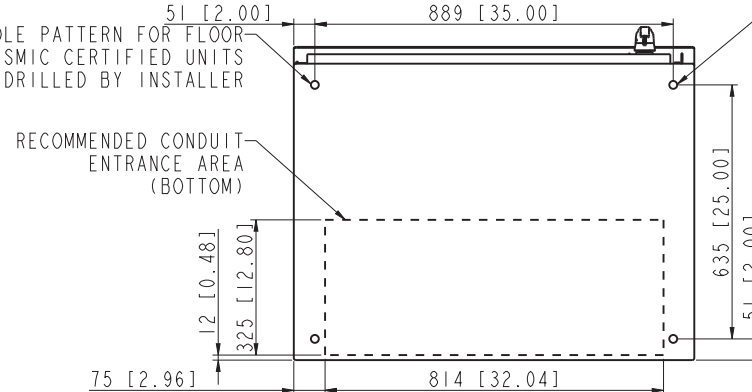
SEE ADV-8565 FOR FULL MODEL CODE DEFINITION											
STYLE	MECHANISM	TRANSITION	MPAC LOGIC	VOLTS	POLES	NEUTRAL	ENCLOSURE	AMPS	CONNECTION	UTILITY DISCONNECT	FAULT LEVEL
KUS	SERV. ENTR.	STD/PROG	1500	208-480V	2/3/4	SOLID, SW	1/3R/4/4X/12	800	STANDARD	80/100% ET	STD
KUS	SERV. ENTR.	STD/PROG	1500	600V	2/3/4	SOLID, SW	1/3R/4/4X/12	800	STANDARD	80/100% ET	STD/HIGH
KUS	SERV. ENTR.	STD/PROG	1500	208-480V	3/4	SOLID, SW	1/3R/4/4X/12	1000-1200	STANDARD	80/100% ET	STD
KUS	SERV. ENTR.	STD/PROG	1500	600V	3/4	SOLID, SW	1/3R/4/4X/12	1000-1200	STANDARD	80/100% ET	STD/HIGH



NOTE: ALLOW FOR MINIMUM DOOR SWING CLEARANCE OF 963 IN FRONT OF CABINET

REQUIRED HOLE PATTERN FOR FLOOR MOUNTING SEISMIC CERTIFIED UNITS HOLES TO BE DRILLED BY INSTALLER

SEISMIC CERTIFIED UNITS MOUNT WITH THE FOLLOWING HARDWARE:  
 Ø 12.70 [1/2"] BOLT (4)  
 Ø 44.5 X 3.4 THICK WASHER (4)  
 HARDWARE TO COMPLY WITH SPECIFICATIONS ON ADV-7456.



SWITCH RATING (AMPS)	SCREW TYPE TERMINALS FOR EXTERNAL POWER CONNECTION			
	EMERGENCY/LOAD PER PHASE	NORMAL	NEUTRAL	GROUND
800-1200 (4)	1/0 TO 750 MCM	800: (3) 3/0 TO 500 MCM 1000-1200: (4) 3/0 TO 500 MCM	MCM (12) 1/0 TO 750 MCM	NEMA 1: (3) #4 TO 500 MCM NEMA 3R/4/4X/12: (3) #4 TO 600 MCM or (6) 1/0 TO 250 MCM

NEMA 3R

- NOTES:
- FINISH - ANSI 49 GRAY.
  - REFER TO OPERATORS MANUAL PRIOR TO INSTALLATION AND OPERATION OF SWITCH.
  - FOR SEISMIC CERTIFIED UNITS, REFER TO ADV-7456 AND INSTALLATION INSTRUCTIONS.
  - UTILITY CIRCUIT BREAKER:
    - SCHNEIDER, 80 OR 100% MICROLOGIC 3.2 LI ELECTRONIC TRIP (800A TYPE P/P/K)
    - SCHNEIDER, 80 OR 100% MICROLOGIC 6.0A LSIG ELECTRONIC TRIP (1000/1200A TYPE P/P/K)

REV	DATE	ON COMPOSITE DWG, SEE PART NO. FOR REVISION LEVEL. (1) INDICATES PART NUMBER AFFECTED BY LATEST DRAWING REVISION	BY
-	30MAY2023	NEW DRAWING [CT229803]	NMD
A	08NOV2023	(A-4) UPDATED SEISMIC NOTE; (A-5-6) DIM 35.00 WAS 33.94; 25.00 WAS 24.05; (B-3) ADDED PHASE LABELS; (A-3) UPDATED DUAL WEIGHT; ADDED DUAL DIM; ADDED KUSTKUP & TERMINAL DETAIL TABLE; [CT231465]	ZHK

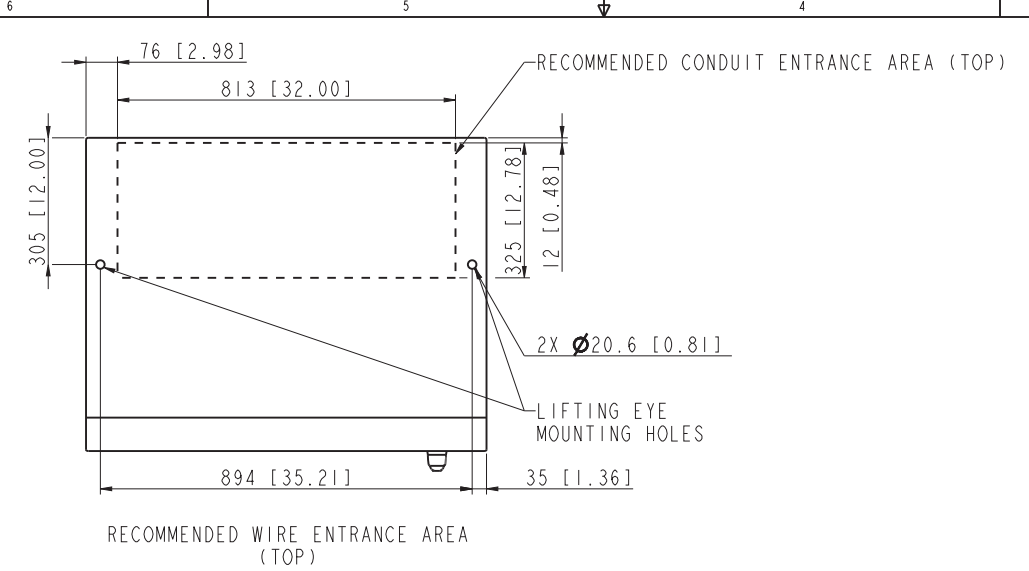
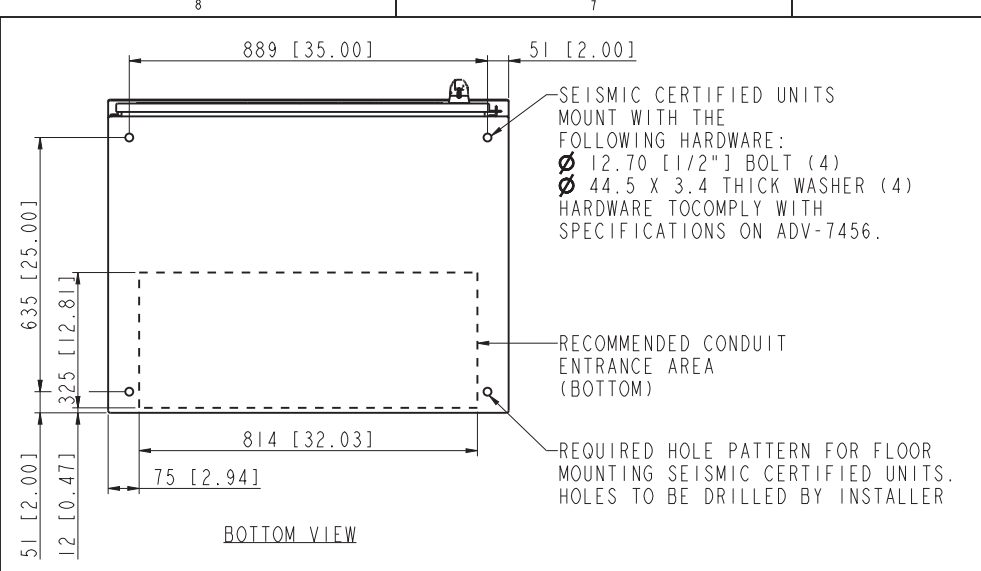
DO NOT SCALE. THIS ASSEMBLY OR PART MUST COMPLY WITH PEP-RML-001. REFERENCE CAD MODEL FOR UNSPECIFIED DIMENSIONS.

**KOHLER**

SCALE: 0.110 SHEET SIZE: D SHEET: 2 OF 3

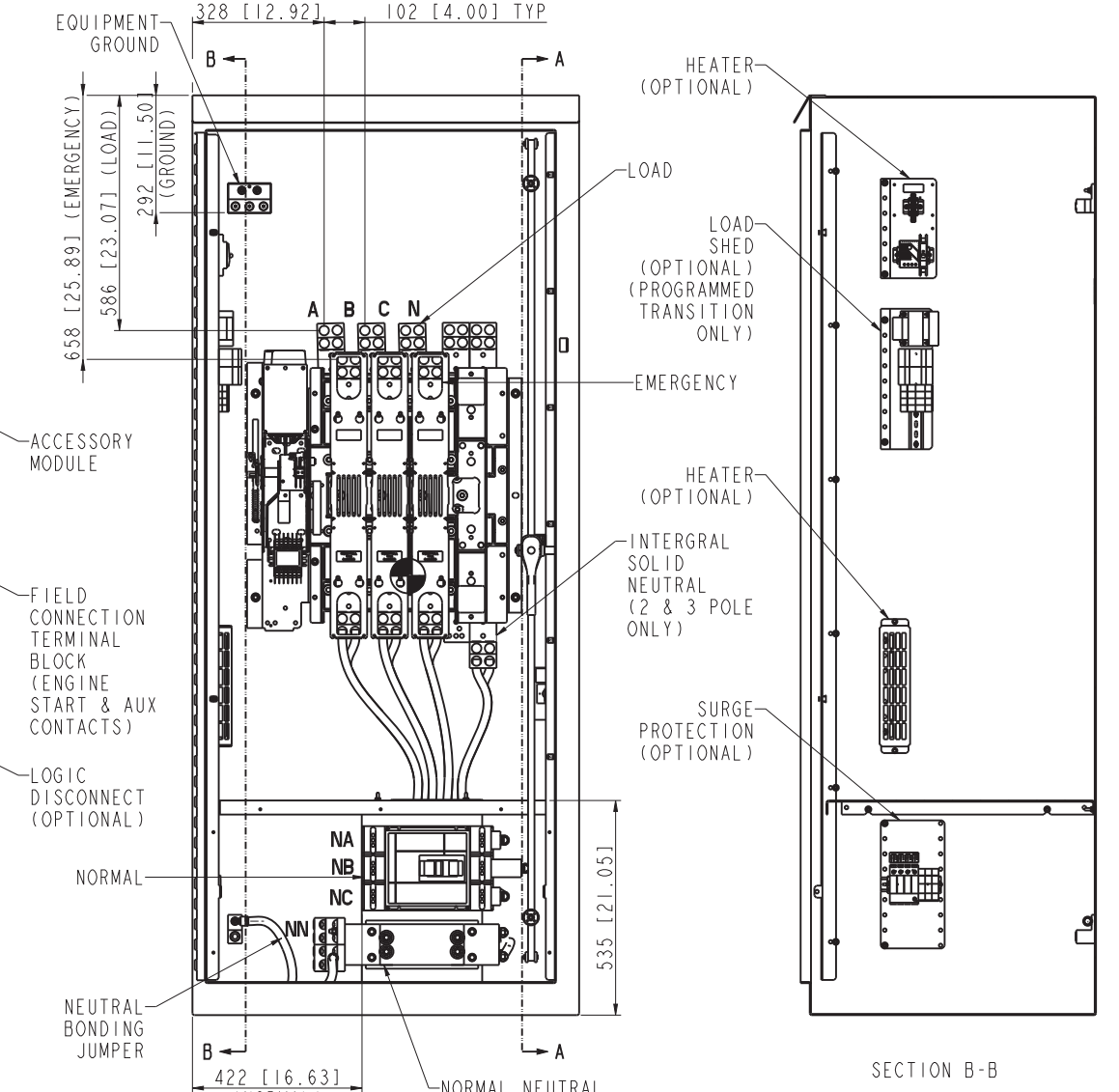
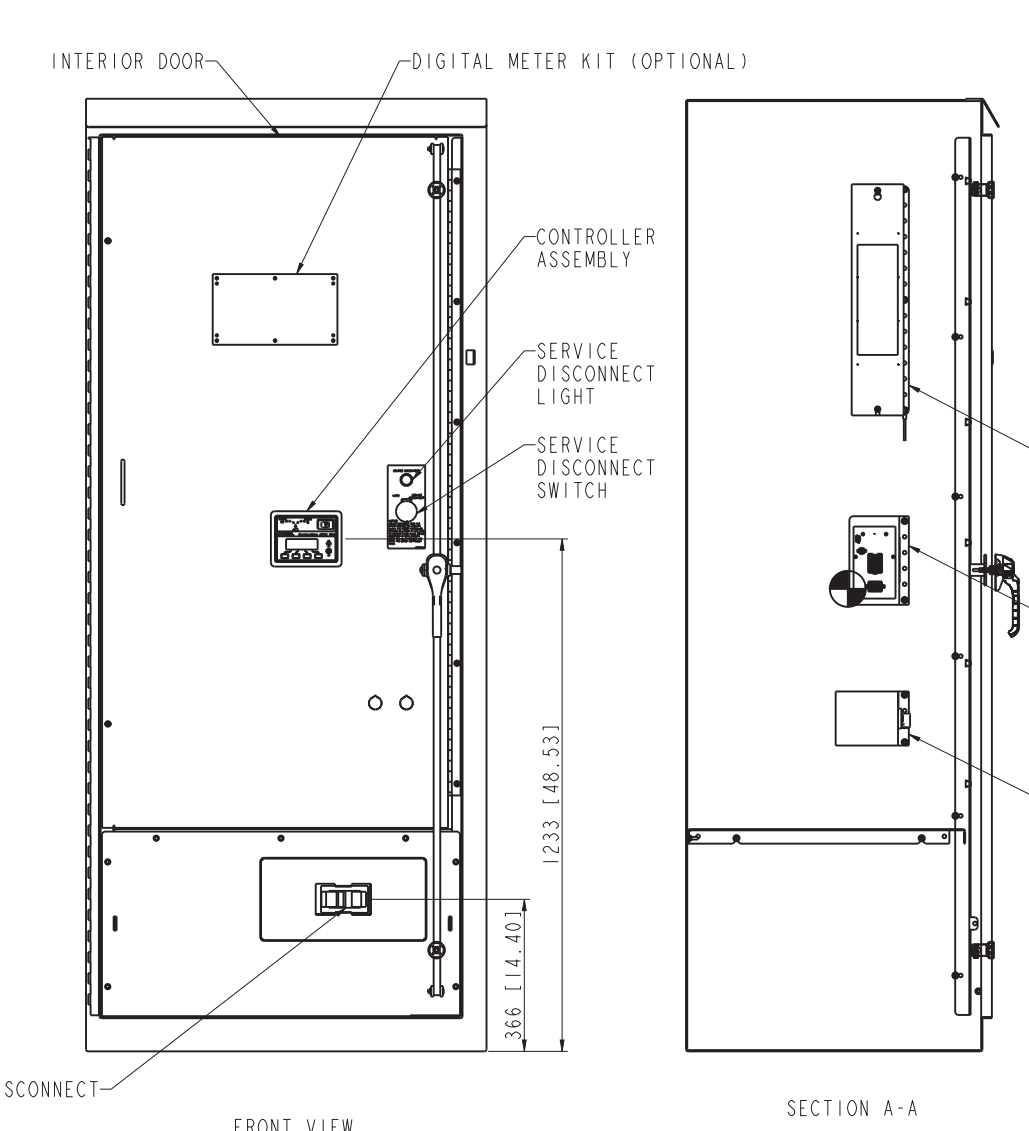
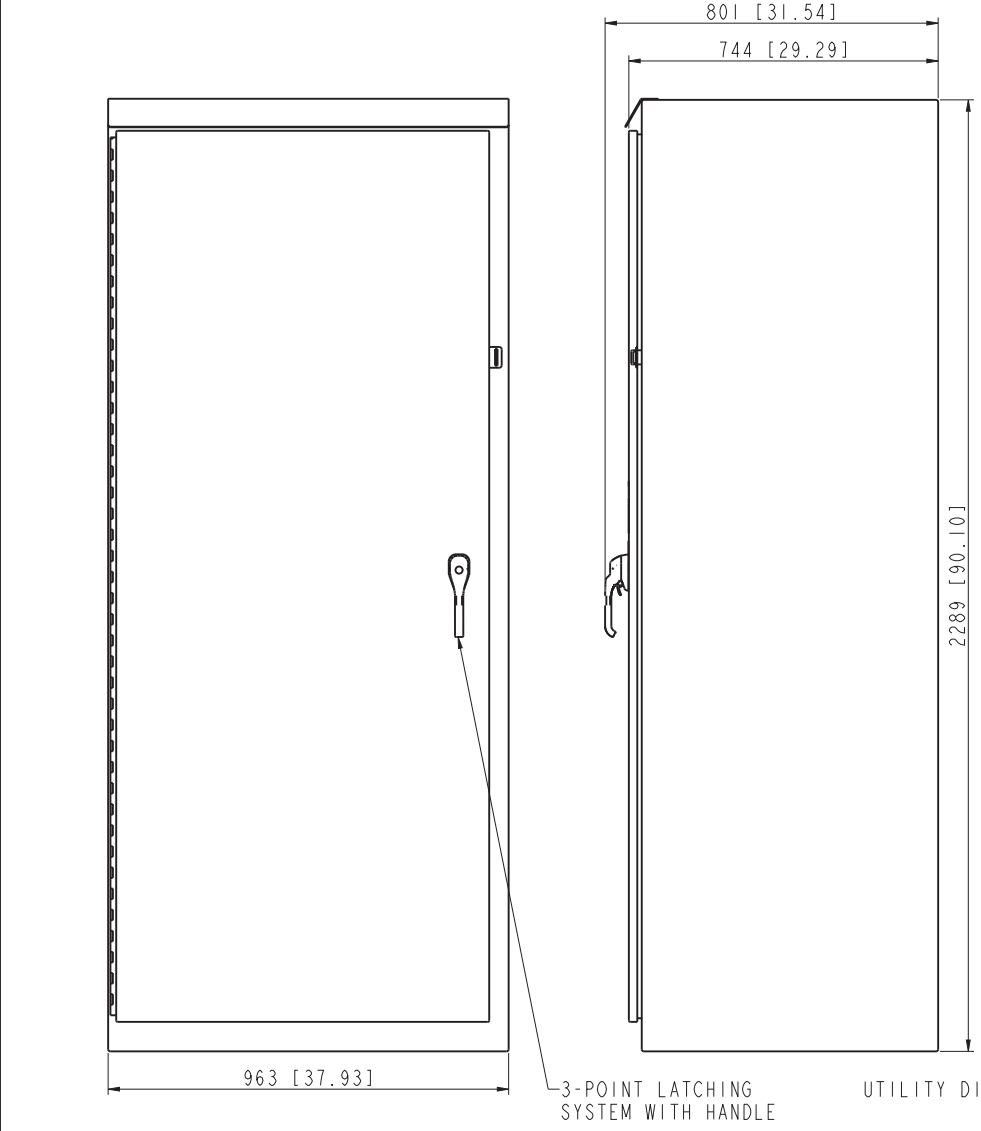
Dimension Print, SE ATS 800-1200A

DWG NO.: ADV-9985



WEIGHT KG [LBS] APPROX.		
TRANSITION	3P	4P
STANDARD	526 [1160]	549 [1210]
PROG	542 [1195]	567 [1249]

- NOTES:
- FINISH: ANSI 49 GRAY (NEMA 4 & I2) NONE (NEMA 4X)
  - REFER TO OPERATOR'S MANUAL PRIOR TO INSTALLATION AND OPERATION OF UNIT.
  - FOR SEISMIC CERTIFIED UNITS, REFER TO ADV-7456 AND INSTALLATION INSTRUCTIONS.
  - UTILITY CIRCUIT BREAKER:
    - SCHNEIDER, 80 OR 100% MICROLOGIC 3.2 LI ELECTRONIC TRIP (800A TYPE PJ/PK)
    - SCHNEIDER, 80 OR 100% MICROLOGIC 6.0 A LSIG ELECTRONIC TRIP (1000/1200A TYPE PJ/PK)



NOTE:  
 ALLOW FOR MINIMUM DOOR SWING CLEARANCE OF 963 IN FRONT OF CABINET

SWITCH RATING (AMPS)	SCREW TYPE TERMINALS FOR EXTERNAL POWER CONNECTION			
	EMERGENCY/LOAD PER PHASE	NORMAL	NEUTRAL	GROUND
800-1200 (4)	1/0 TO 750 MCM	800: (3) 3/0 TO 500 MCM 1000-1200: (4) 3/0 TO 500 MCM	NEMA 1: (3) #4 TO 500 MCM NEMA 3R/4/4X/12: (3) #4 TO 600 MCM or (6) 1/0 TO 250 MCM	

SEE ADV-8565 FOR FULL MODEL CODE DEFINITION											
STYLE	MECHANISM	TRANSITION	MPAC LOGIC	VOLTS	POLES	NEUTRAL	ENCLOSURE	AMPS	CONNECTION	UTILITY DISCONNECT	FAULT LEVEL
KUS	SERV. ENTR.	STD/PROG	1500	208-480V	2/3/4	SOLID, SW	1/3R/4/4X/12	800	STANDARD	80/100% ET	STD
KUS	SERV. ENTR.	STD/PROG	1500	600V	2/3/4	SOLID, SW	1/3R/4/4X/12	800	STANDARD	80/100% ET	STD/HIGH
KUS	SERV. ENTR.	STD/PROG	1500	208-480V	3/4	SOLID, SW	1/3R/4/4X/12	1000-1200	STANDARD	80/100% ET	STD
KUS	SERV. ENTR.	STD/PROG	1500	600V	3/4	SOLID, SW	1/3R/4/4X/12	1000-1200	STANDARD	80/100% ET	STD/HIGH

**NEMA 4/4X/12**

REV	DATE	ON COMPOSITE DWG, SEE PART NO. FOR REVISION LEVEL. DIMENSIONS ARE IN MILLIMETERS UNLESS OTHERWISE SPECIFIED.	BY
-	30MAY2023	NEW DRAWING [CT229803]	NMD
A	08NOV2023	(D-7) UPDATED SEISMIC NOTE; (D-6-8) DIM 35.00 WAS 33.93; 25.00 WAS 24.07; (D-3) ADDED PHASE LABELS; (A-4) UPDATED DUAL HEIGHT; ADDED DUAL DIM; ADDED KUST/UP & TERMINAL DETAIL TABLE; [CT231465]	ZHK

THIRD ANGLE PROJECTION

MAJOR DIMENSIONS IN MILLIMETERS  
 GENERAL TOLERANCES:  
 0.25 ± 0.13 SURFACE FINISH  
 0.1 ± 0.05 MAX. ANGLES 45° & 90°

DRAWN: NMD DATE: 30MAY2023  
 APPROVED: 30MAY2023

DO NOT SCALE. THIS ASSEMBLY OR PART MUST COMPLY WITH PEP-RML-001. REFERENCE CAD MODEL FOR UNSPECIFIED DIMENSIONS.

**KOHLER**

SCALE: 0.110 SHEET SIZE: D SHEET: 3 OF 3

Dimension Print, SE ATS  
 800-1200A  
 DWG NO.: ADV-9985