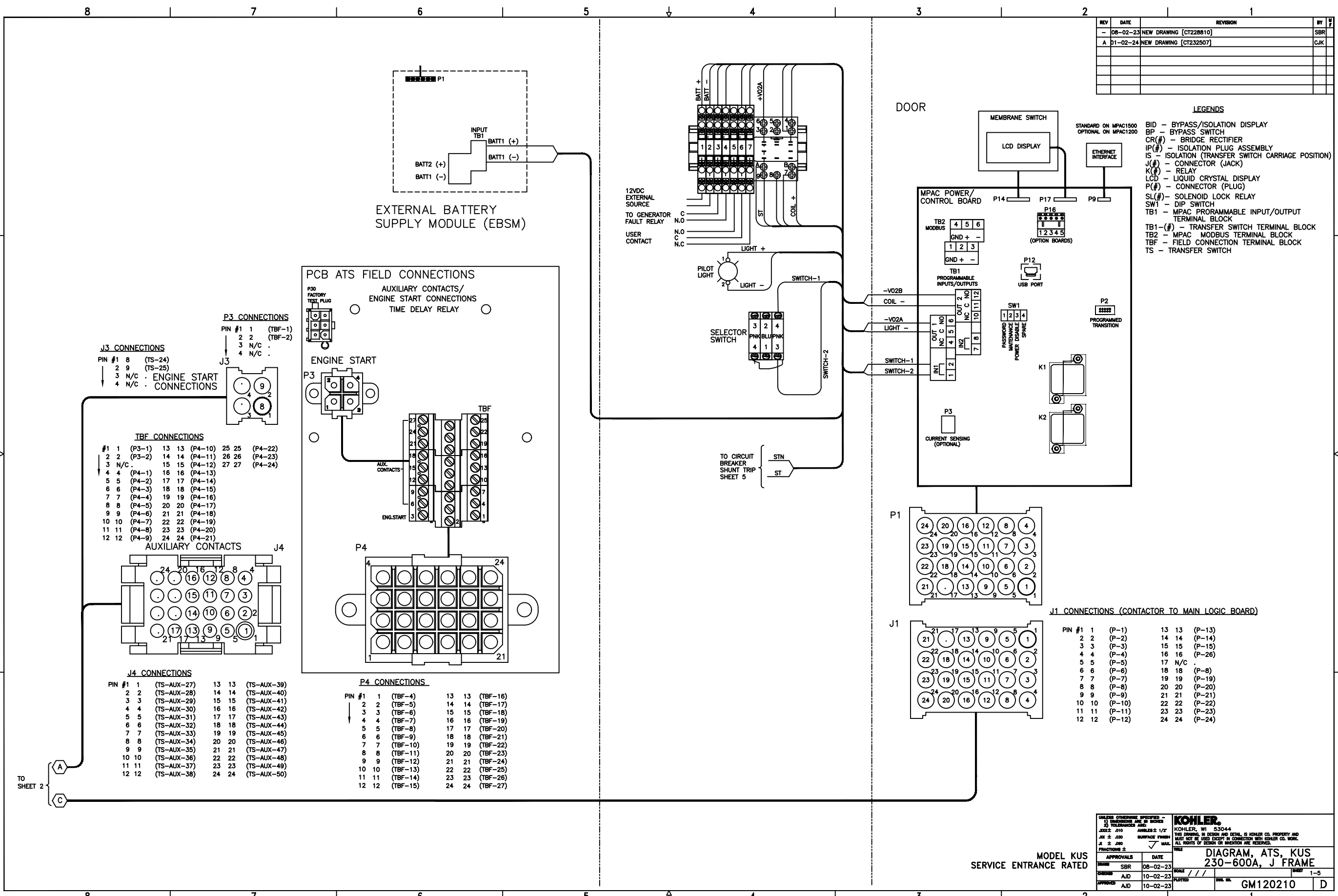


REV	DATE	REVISION	BY
-	08-02-23	NEW DRAWING [CT228810]	SBR
A	01-02-24	NEW DRAWING [CT232507]	CJK



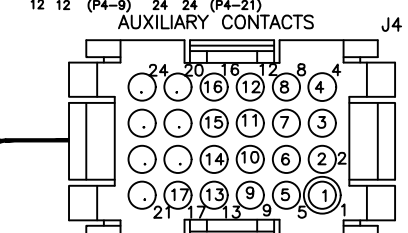
- LEGENDS**
- BID - BYPASS/ISOLATION DISPLAY
 - BP - BYPASS SWITCH
 - CR(#)- BRIDGE RECTIFIER
 - IP(#)- ISOLATION PLUG ASSEMBLY
 - IS - ISOLATION (TRANSFER SWITCH CARRIAGE POSITION)
 - J(#)- CONNECTOR (JACK)
 - K(#)- RELAY
 - LCD - LIQUID CRYSTAL DISPLAY
 - P(#)- CONNECTOR (PLUG)
 - SL(#)- SOLENOID LOCK RELAY
 - SW1 - DIP SWITCH
 - MPAC - MPAC PROGRAMMABLE INPUT/OUTPUT TERMINAL BLOCK
 - TB1-(#)- TRANSFER SWITCH TERMINAL BLOCK
 - TB2 - MPAC MODBUS TERMINAL BLOCK
 - TBF - FIELD CONNECTION TERMINAL BLOCK
 - TS - TRANSFER SWITCH

J3 CONNECTIONS

PIN #1	8	(TS-24)
2	9	(TS-25)
3	N/C	ENGINE START CONNECTIONS
4	N/C	

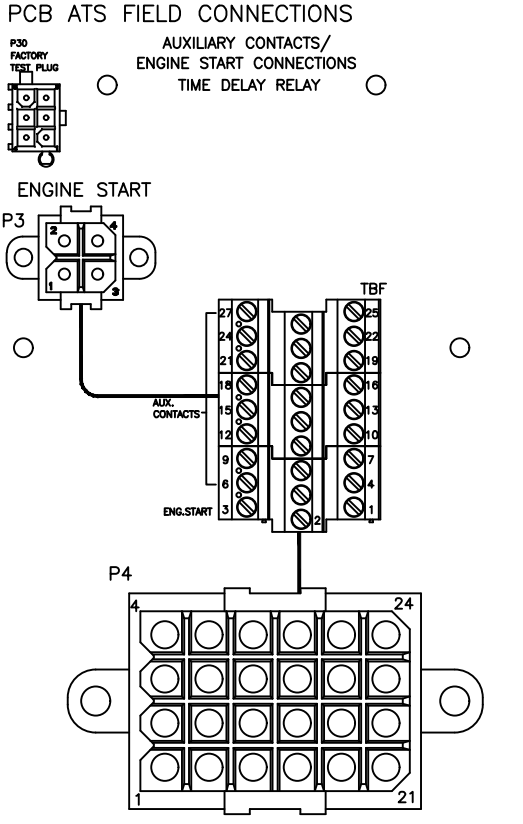
TBF CONNECTIONS

#1	1	(P3-1)	13	13	(P4-10)	25	25	(P4-22)
2	2	(P3-2)	14	14	(P4-11)	26	26	(P4-23)
3	N/C		15	15	(P4-12)	27	27	(P4-24)
4	4	(P4-1)	16	16	(P4-13)			
5	5	(P4-2)	17	17	(P4-14)			
6	6	(P4-3)	18	18	(P4-15)			
7	7	(P4-4)	19	19	(P4-16)			
8	8	(P4-5)	20	20	(P4-17)			
9	9	(P4-6)	21	21	(P4-18)			
10	10	(P4-7)	22	22	(P4-19)			
11	11	(P4-8)	23	23	(P4-20)			
12	12	(P4-9)	24	24	(P4-21)			



J4 CONNECTIONS

PIN #1	1	(TS-AUX-27)	13	13	(TS-AUX-39)
2	2	(TS-AUX-28)	14	14	(TS-AUX-40)
3	3	(TS-AUX-29)	15	15	(TS-AUX-41)
4	4	(TS-AUX-30)	16	16	(TS-AUX-42)
5	5	(TS-AUX-31)	17	17	(TS-AUX-43)
6	6	(TS-AUX-32)	18	18	(TS-AUX-44)
7	7	(TS-AUX-33)	19	19	(TS-AUX-45)
8	8	(TS-AUX-34)	20	20	(TS-AUX-46)
9	9	(TS-AUX-35)	21	21	(TS-AUX-47)
10	10	(TS-AUX-36)	22	22	(TS-AUX-48)
11	11	(TS-AUX-37)	23	23	(TS-AUX-49)
12	12	(TS-AUX-38)	24	24	(TS-AUX-50)



P4 CONNECTIONS

PIN #1	1	(TBF-4)	13	13	(TBF-16)
2	2	(TBF-5)	14	14	(TBF-17)
3	3	(TBF-6)	15	15	(TBF-18)
4	4	(TBF-7)	16	16	(TBF-19)
5	5	(TBF-8)	17	17	(TBF-20)
6	6	(TBF-9)	18	18	(TBF-21)
7	7	(TBF-10)	19	19	(TBF-22)
8	8	(TBF-11)	20	20	(TBF-23)
9	9	(TBF-12)	21	21	(TBF-24)
10	10	(TBF-13)	22	22	(TBF-25)
11	11	(TBF-14)	23	23	(TBF-26)
12	12	(TBF-15)	24	24	(TBF-27)

J1 CONNECTIONS (CONTACTOR TO MAIN LOGIC BOARD)

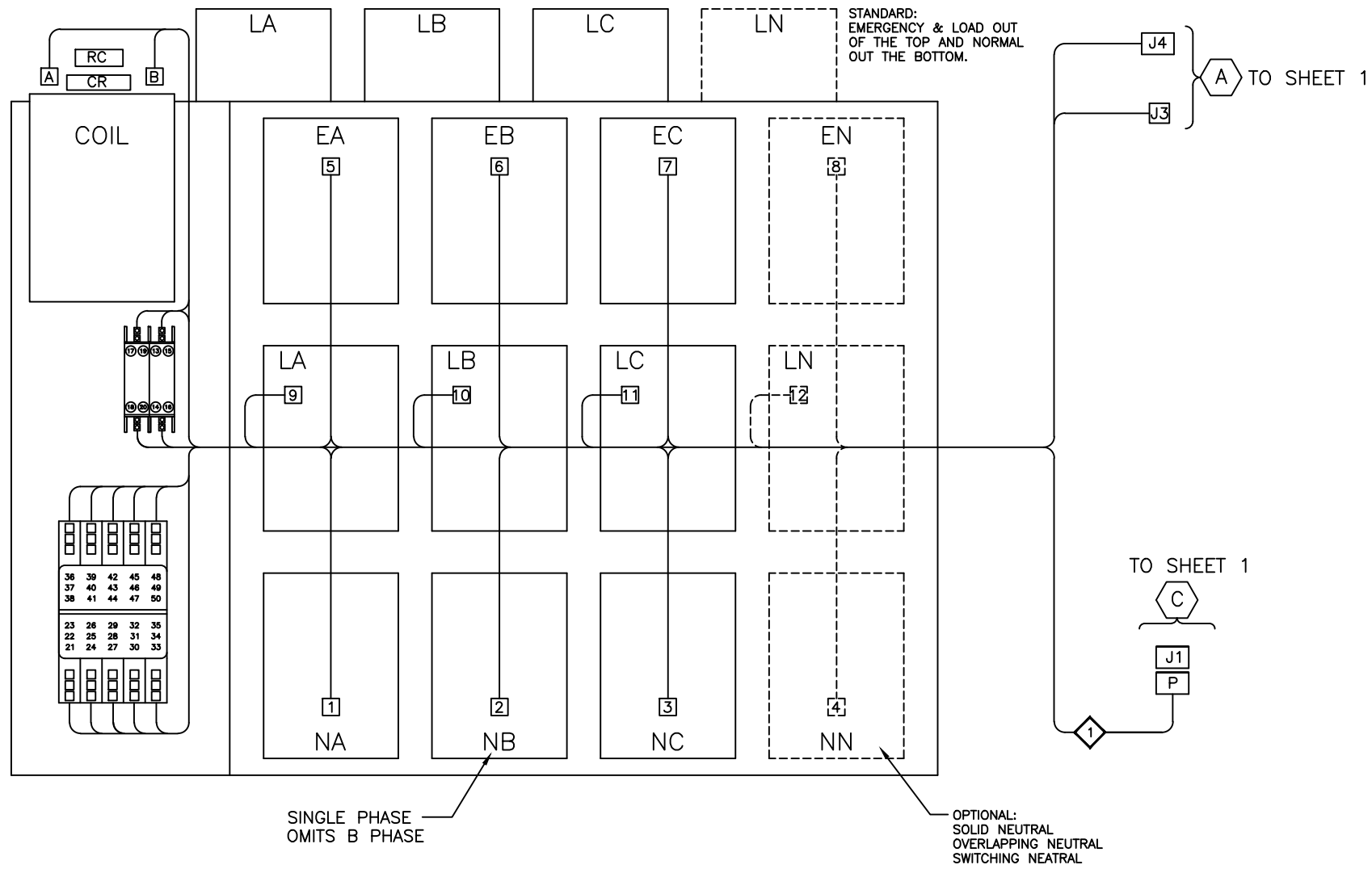
PIN #1	1	(P-1)	13	13	(P-13)
2	2	(P-2)	14	14	(P-14)
3	3	(P-3)	15	15	(P-15)
4	4	(P-4)	16	16	(P-26)
5	5	(P-5)	17	N/C	
6	6	(P-6)	18	18	(P-8)
7	7	(P-7)	19	19	(P-19)
8	8	(P-8)	20	20	(P-20)
9	9	(P-9)	21	21	(P-21)
10	10	(P-10)	22	22	(P-22)
11	11	(P-11)	23	23	(P-23)
12	12	(P-12)	24	24	(P-24)

UNLESS OTHERWISE SPECIFIED - DIMENSIONS ARE IN INCHES TOLERANCES ARE:		KOHLER.	
SIZE	± .010	ANGLE ± 1/2°	KOHLER, WI 53044
DRILL	± .030	SURFACE FINISH	✓ MAX.
FINISH	± .000	FRAGMENTS ±	
APPROVALS		DATE	TITLE
DESIGNED	SBR	08-02-23	DIAGRAM, ATS, KUS
CHECKED	AJD	10-02-23	230-600A, J FRAME
APPROVED	AJD	10-02-23	SCALE: 1-5
		PLOTTED	REV. NO. GM120210

MODEL KUS
SERVICE ENTRANCE RATED

REV	DATE	REVISION	BY
-	08-02-23	NEW DRAWING [CT228810]	SBR
A	01-02-24	NEW DRAWING [CT232507]	CJK

TS (TRANSFER SWITCH)



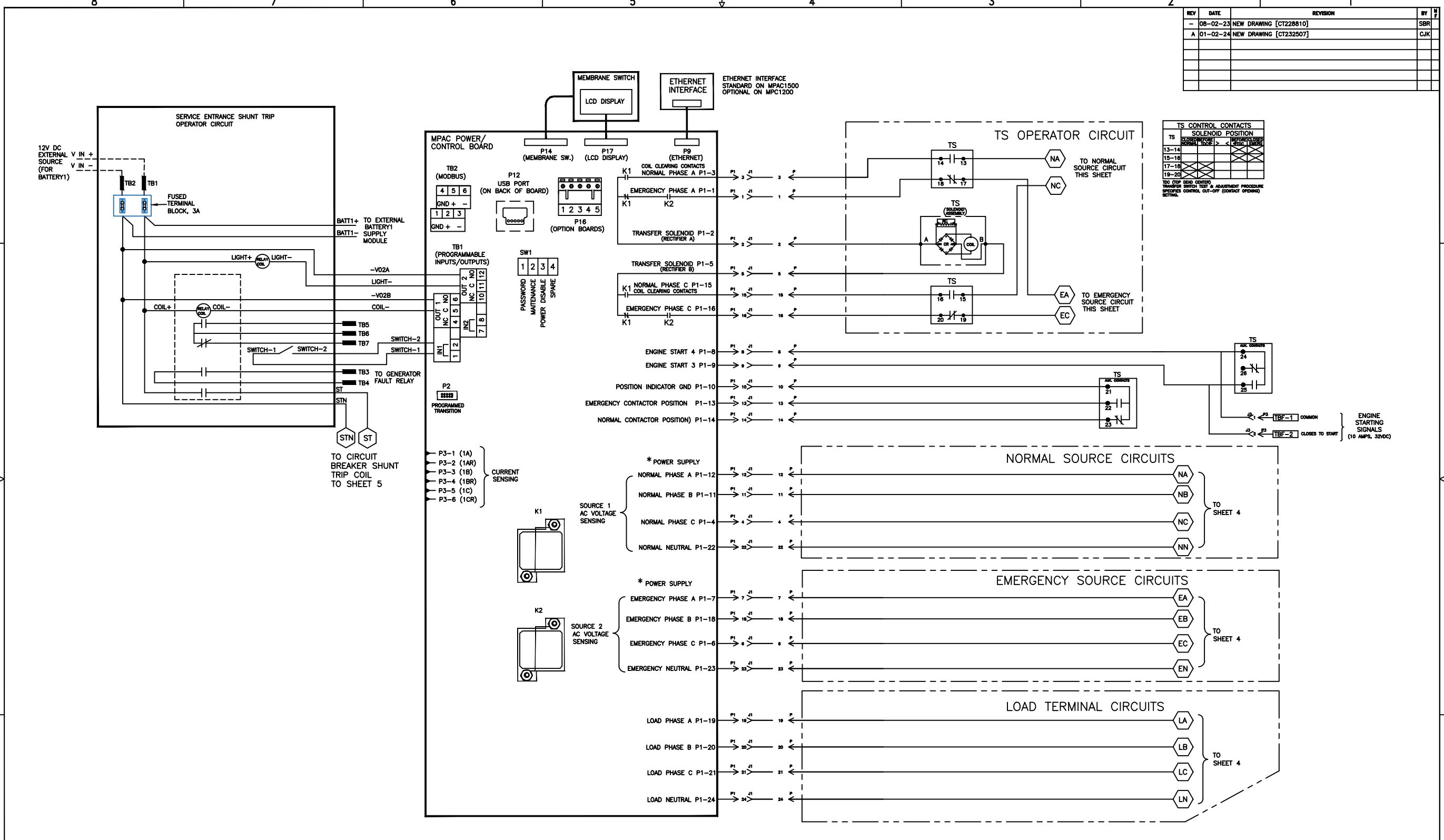
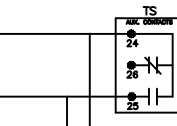
MODEL KUS
SERVICE ENTRANCE RATED

UNLESS OTHERWISE SPECIFIED - 1) DIMENSIONS ARE IN INCHES 2) TOLERANCES ARE: FRACTIONS ± DECIMALS ± SURFACE FINISH: MAX. ANGLE ± 1/2°		KOHLER KOHLER, WI 53044 THIS DRAWING, IN DESIGN AND DETAIL, IS KOHLER CO. PROPERTY AND MAY NOT BE USED EXCEPT IN CONNECTION WITH KOHLER CO. WORK. ALL RIGHTS OF DESIGN OR INVENTION ARE RESERVED.	
APPROVALS		DATE	
DESIGN: SBR	DATE: 08-02-23	SCALE: ///	SHEET: 2-5
CHECKED: A/JD	DATE: 10-02-23	PLOTTED: / / /	
APPROVED: A/JD	DATE: 10-02-23	DRAW. NO. GM120210	REV. NO. D

REV	DATE	REVISION	BY
-	08-02-23	NEW DRAWING [CT228810]	SBR
A	01-02-24	NEW DRAWING [CT232507]	CJK

TS CONTROL CONTACTS		
TS	SOLENOID POSITION	MANUFACTURER'S SYMBOL
13-14	CLOSE	13-14
15-16	TRIP	15-16
17-18	TRIP	17-18
19-20	TRIP	19-20

TS TOP BREAK CARRIER
TRANSFER SWITCH TEST & ADJUSTMENT PROCEDURE
SPECIFIC CONTROL OUT-OF-COMMUNICATION
SETTING



NOTE: SINGLE PHASE OMITTS B PHASE

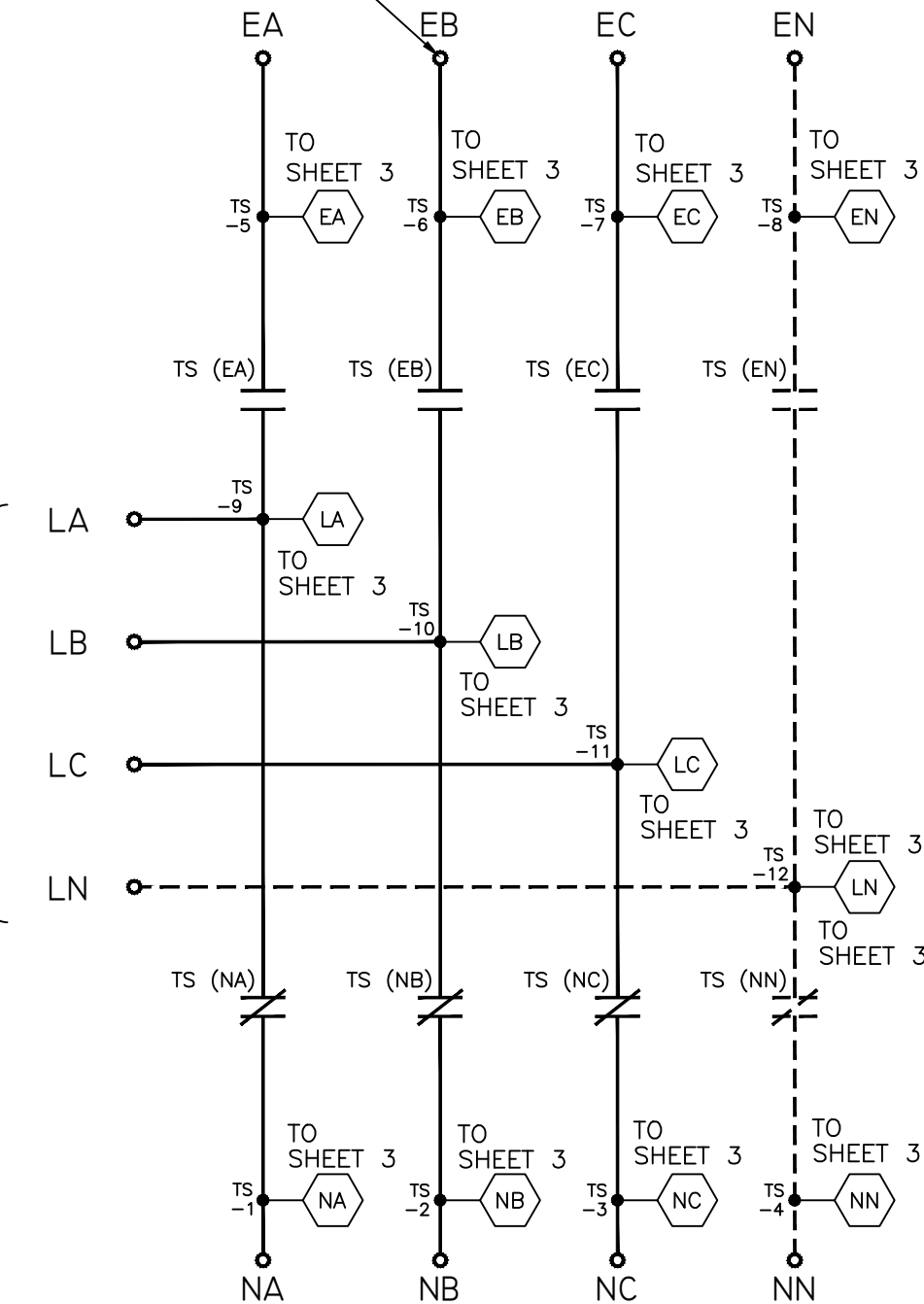
UNLESS OTHERWISE SPECIFIED - 1) DIMENSIONS ARE IN INCHES 2) TOLERANCES ARE: FRACTIONS ± DECIMALS ± ANGLES ± 1/2° SURFACE FINISH: MAX. DIMENSIONS ±		KOHLER KOHLER, WI 53044 THIS DRAWING, IN DESIGN AND DETAIL, IS KOHLER CO. PROPERTY AND MUST NOT BE USED EXCEPT IN CONNECTION WITH KOHLER CO. WORK. ALL RIGHTS OF DESIGN OR INVENTION ARE RESERVED.	
MODEL KUS SERVICE ENTRANCE RATED		DIAGRAM, ATS, KUS 230-600A, J FRAME	
APPROVALS	DATE	SCALE	SHEET
SBR	08-02-23	///	3-5
AJD	10-02-23		
AJD	10-02-23		

REV. NO. GM120210

REV	DATE	REVISION	BY
-	08-02-23	NEW DRAWING [CT228810]	SBR
A	01-02-24	NEW DRAWING [CT232507]	CJK

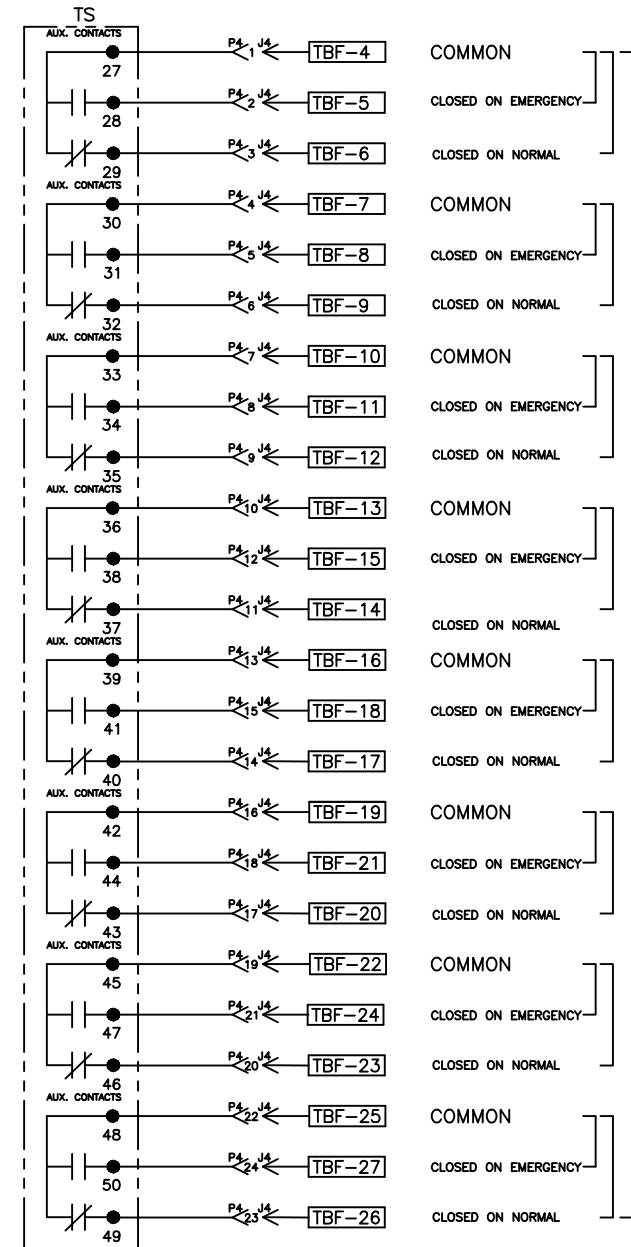
SINGLE PHASE
OMITS B PHASE

EMERGENCY



LOAD

NORMAL



TS
AUXILIARY
CONTACTS
(10 AMPS, 32VDC)
(10 AMPS, 250VAC)
GENERAL PURPOSE

GENERAL NOTES

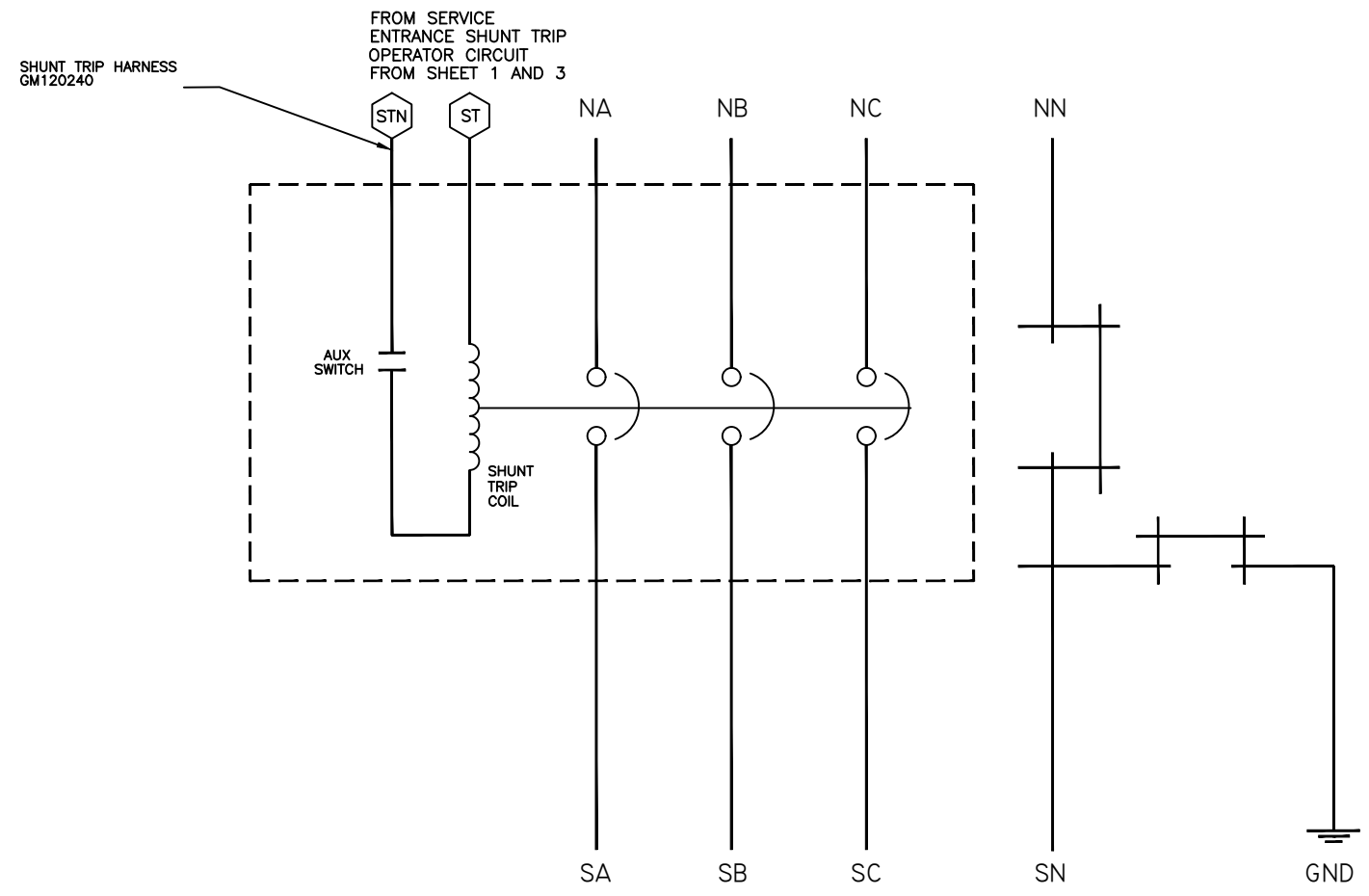
1. SWITCH SHOWN DE-ENERGIZED AND CONNECTED TO THE NORMAL SOURCE.
2. ALL WIRING IS #16 AWG, TINNED, STRANDED COPPER UNLESS OTHERWISE INDICATED.
3. ○ ON TERMINAL BLOCKS INDICATES AVAILABLE FIELD CONNECTION POINT.
4. ● ON TERMINAL BLOCKS INDICATES FACTORY CONNECTION POINT.

MODEL KUS
SERVICE ENTRANCE RATED

UNLESS OTHERWISE SPECIFIED - 1) DIMENSIONS ARE IN INCHES 2) TOLERANCES ARE: FRACTIONS ± DECIMALS ± SURFACE FINISH: MAX. KOHLER, WI 53044 THIS DRAWING, IN DESIGN AND DETAIL, IS KOHLER CO. PROPERTY AND MAY NOT BE USED EXCEPT IN CONNECTION WITH KOHLER CO. WORK. ALL RIGHTS OF DESIGN OR INVENTION ARE RESERVED.		TITLE DIAGRAM, ATS, KUS 230-600A, J FRAME	
APPROVALS	DATE	SCALE	SHEET
DESIGNED SBR	08-02-23	///	4-5
CHECKED A/JD	10-02-23	PLOTTED	
APPROVED A/JD	10-02-23	REV. NO.	GM120210 D

REV	DATE	REVISION	BY
-	08-02-23	NEW DRAWING [CT228810]	SBR
A	01-02-24	NEW DRAWING [CT232507]	CJK

TO TRANSFER CONTACTOR
NORMAL TERMINALS



FROM INCOMING
SERVICE CONDUCTORS

MODEL KUS
SERVICE ENTRANCE RATED

UNLESS OTHERWISE SPECIFIED - 1) DIMENSIONS ARE IN INCHES 2) TOLERANCES ARE: FRACTIONS ± SURFACE FINISH: MAX. DECIMALS ± ANGLES ± 1/2° KOHLER, WI 53044 THIS DRAWING, IN DESIGN AND DETAIL, IS KOHLER CO. PROPERTY AND MAY NOT BE USED EXCEPT IN CONNECTION WITH KOHLER CO. WORK. ALL RIGHTS OF DESIGN OR INVENTION ARE RESERVED.		TITLE DIAGRAM, ATS, KUS 230-600A, J FRAME	
APPROVALS	DATE	SCALE	SHEET
DESIGN SBR	08-02-23	///	5-5
CHECKED A/JD	10-02-23	PLOTTED	REV. NO. GM120210
APPROVED A/JD	10-02-23		D