

- NOTES:
1. FINISH: ANSI 49 GRAY.
 2. REFER TO OPERATOR'S MANUAL PRIOR TO INSTALLATION AND OPERATION OF UNIT.
 3. FOR SEISMIC CERTIFIED UNITS, REFER TO ADV-7456 AND INSTALLATION INSTRUCTIONS.
 4. UTILITY CIRCUIT BREAKER:
- SCHNEIDER, 80 OR 100% THERMAL MAGNETIC TRIP (225/250A TYPE JG/JL, 400A TYPE LH)
- 80 OR 100% MICROLOGIC 3.2 LI ELECTRONIC TRIP (250A TYPE JG/JL, 400A TYPE LJ/LL, 600A TYPE PJ/PK)
 5. SEE SHEET 2 FOR MODEL AND LUG INFO.

		WEIGHT KG (LBS)		
TRANSITION		2P	3P	4P
STANDARD	492 [1085]	500 [1103]	511 [1127]	
PROG	507 [1118]	515 [1135]	526 [1160]	

NEMA 1

REV	DATE	ON COMPOSITE DWG, SEE PART NO. FOR REVISION LEVEL. DRAWING REVISION	BY
-	25MAY2023	NEW DRAWING [CT229803]	NMD
A	15FEB2024	ADDED NOTE 5; ADDED DUAL DIM. (A-3) UPDATED DUAL WEIGHT; (D-2) UPDATED SEISMIC NOTE; (D-7) DIM 518 WAS 517; (D-6) DIM 572 WAS 571; 584 WAS 583; (D-5) ALTERNATE MOUNTING NOTE REMOVED; (D-4) DIM 54 REMOVED; (D-3) DIM 26.8, 872 REMOVED; ADDED SHEET 2; [CT231465]	NMD

DO NOT SCALE. THIS ASSEMBLY OR PART MUST COMPLY WITH PEP-RML-001. REFERENCE CAD MODEL FOR UNSPECIFIED DIMENSIONS.

KOHLER

SCALE: 0.16 SHEET SIZE: D SHEET: 1 OF 4

Dimension Print, SE ATS 150-800A

DWG NO.: ADV-9984

SCREW TYPE TERMINALS FOR EXTERNAL POWER CONNECTION				
SWITCH RATING (AMPS)	RANGE AL/CU OF WIRE SIZES			
	EMERGENCY/LOAD PER PHASE	NORMAL	NEUTRAL	GROUND
150 200-250 400	(1) #4 TO 600 KCMIL OR (2) 1/0 TO 250 KCMIL	150: (1) #14 TO 3/0 200-250: (1) 3/0 TO 350MCM 400: (1) #1 TO 600MCM (ET) (2) 2/0 TO 500MCM	(3) #4 TO 600 KCMIL OR (6) 1/0 TO 250 KCMIL	(3) #4-600 KCMIL OR (6) 1/0-250 KCMIL
600	(2) #2 TO 600 KCMIL	(3) 3/0 TO 500MCM	(6) #2 TO 600 KCMIL	

SEE ADV-8565 FOR FULL MODEL CODE DEFINITION

STYLE	MECHANISM	TRANSITION	MPAC LOGIC	VOLTS	POLES	NEUTRAL	ENCLOSURE	AMPS	CONNECTION	UTILITY DISCONNECT	FAULT LEVEL
KUS	SERV. ENTR.	STANDARD	1500	600V	2/3/4	SOLID, SW	1/3R/4/4X/12	225	STANDARD	80/100% TM;80/100% ET	STD/HIGH
KUS	SERV. ENTR.	STANDARD	1500	208-600V	2/3/4	SOLID, SW	1/3R/4/4X/12	250	STANDARD	80/100% TM;80/100% ET	STD/HIGH
KUS	SERV. ENTR.	STANDARD	1500	208-600V	2/3/4	SOLID, SW	1/3R/4/4X/12	400	STANDARD	80% TM;80/100% ET	STD/HIGH
KUS	SERV. ENTR.	STANDARD	1500	208-600V	2/3/4	SOLID, SW	1/3R/4/4X/12	600	STANDARD	80/100% ET	STD/HIGH
KUP	SERV. ENTR.	PROG	1500	208-600V	2/3/4	SOLID, SW	1/3R/4/4X/12	150-250	STANDARD	80/100% TM;80/100% ET	STD/HIGH
KUP	SERV. ENTR.	PROG	1500	208-600V	2/3/4	SOLID, SW	1/3R/4/4X/12	400	STANDARD	80% TM;80/100% ET	STD/HIGH
KUP	SERV. ENTR.	PROG	1500	208-600V	2/3/4	SOLID, SW	1/3R/4/4X/12	600	STANDARD	80/100% ET	STD/HIGH

REV	DATE	ON COMPOSITE DWG, SEE PART NO. FOR REVISION LEVEL. C1 INDICATES PART NUMBERS AFFECTED BY LATEST DRAWING REVISION	BY
A	15FEB2024	NEW SHEET ADDED	NMD

UNLESS OTHERWISE SPECIFIED:
ALL DIMENSIONS IN MILLIMETERS
GENERAL TOLERANCES:
2.0 & 0.25
2.5 & 1.0
3.0 & 1.5
HOLE & 30° MAX.
DIM TOLER. 0.125

THIRD ANGLE PROJECTION

MAJOR Ø =
CRITICAL Ø =
CHARACTERISTICS COMPLY WITH
REF: 80002

DRAWN: NMD DATE:
APPROVED: SEE PLM SYSTEM 5FEB2024

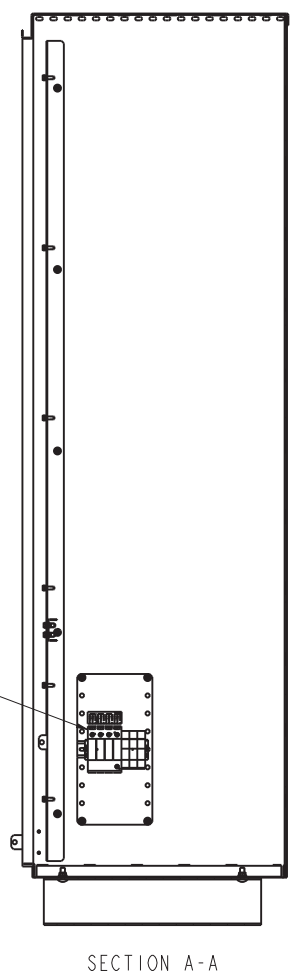
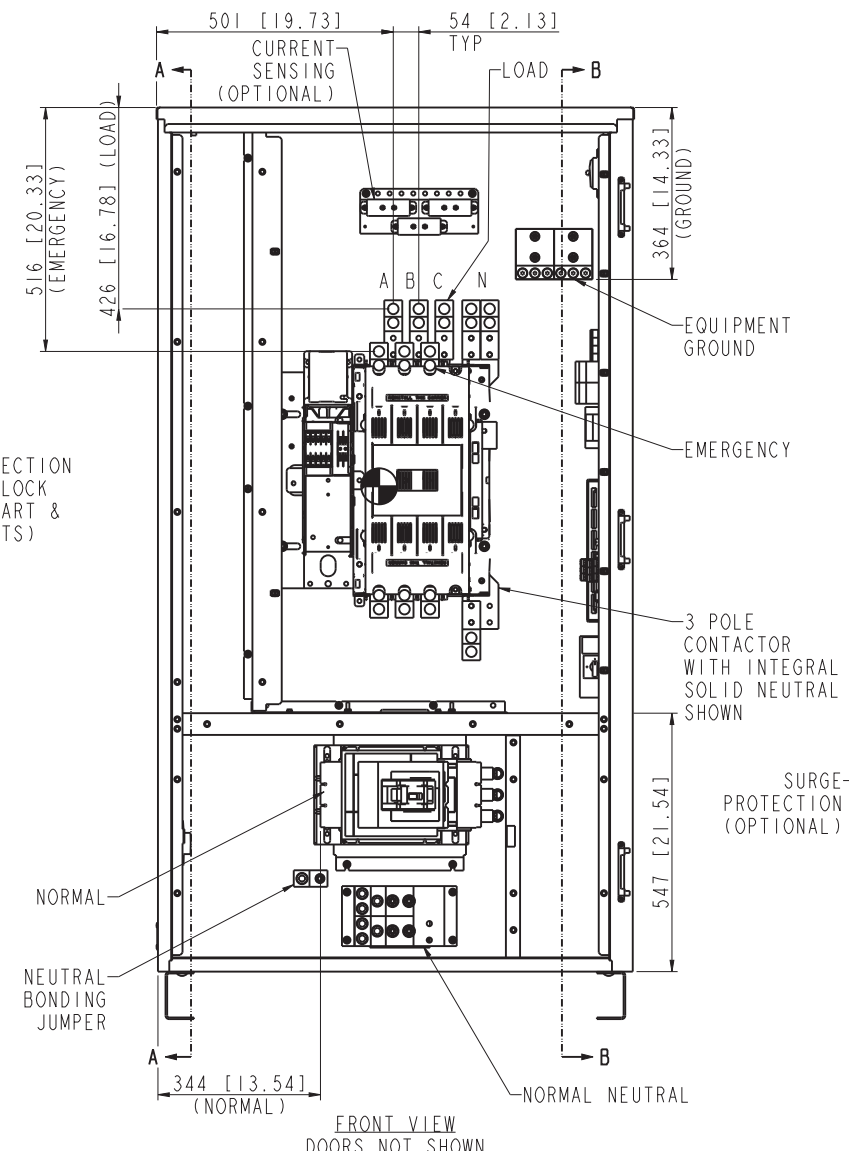
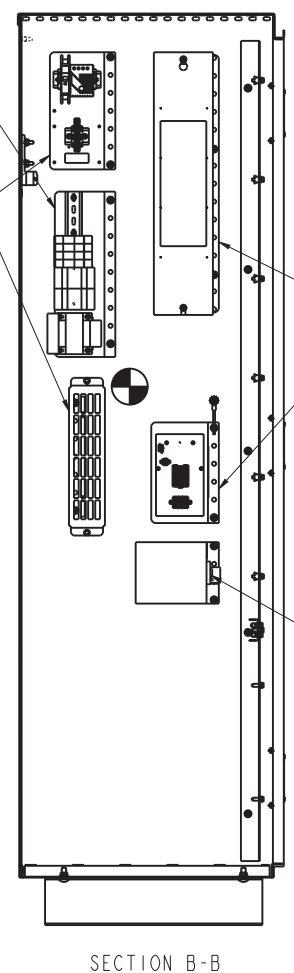
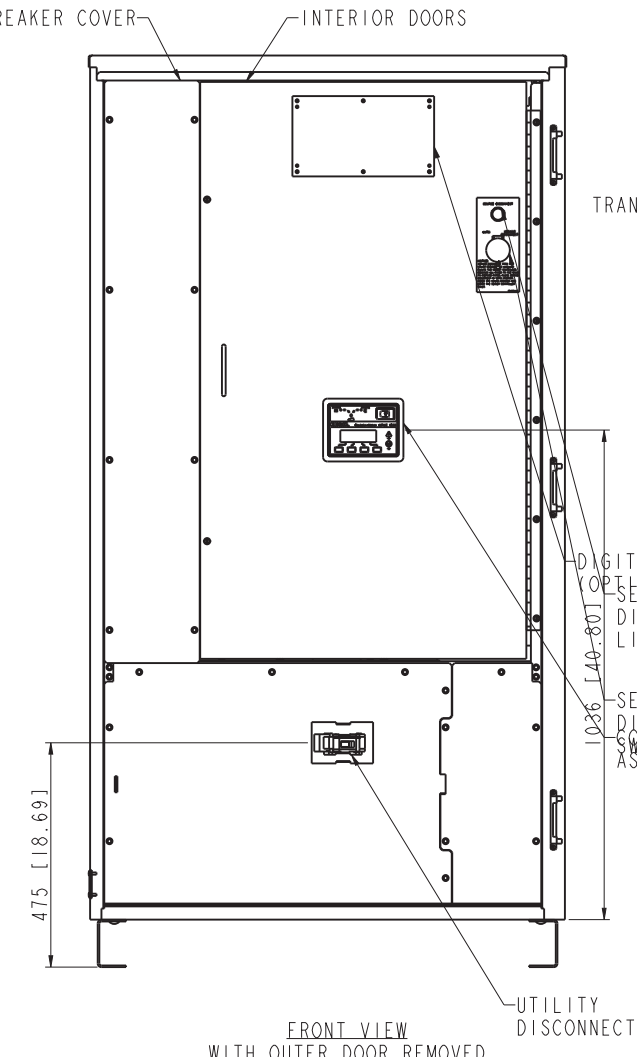
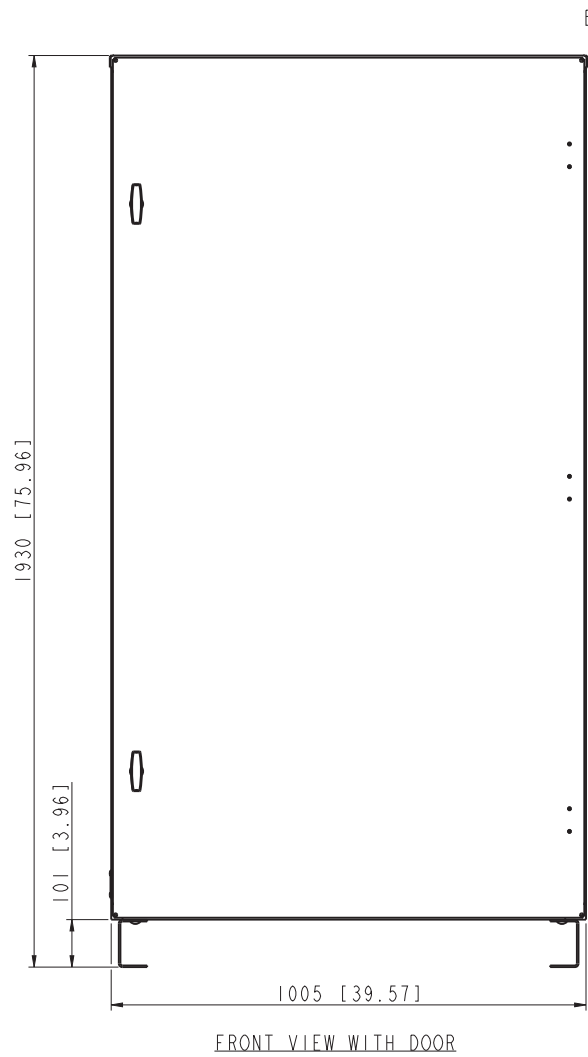
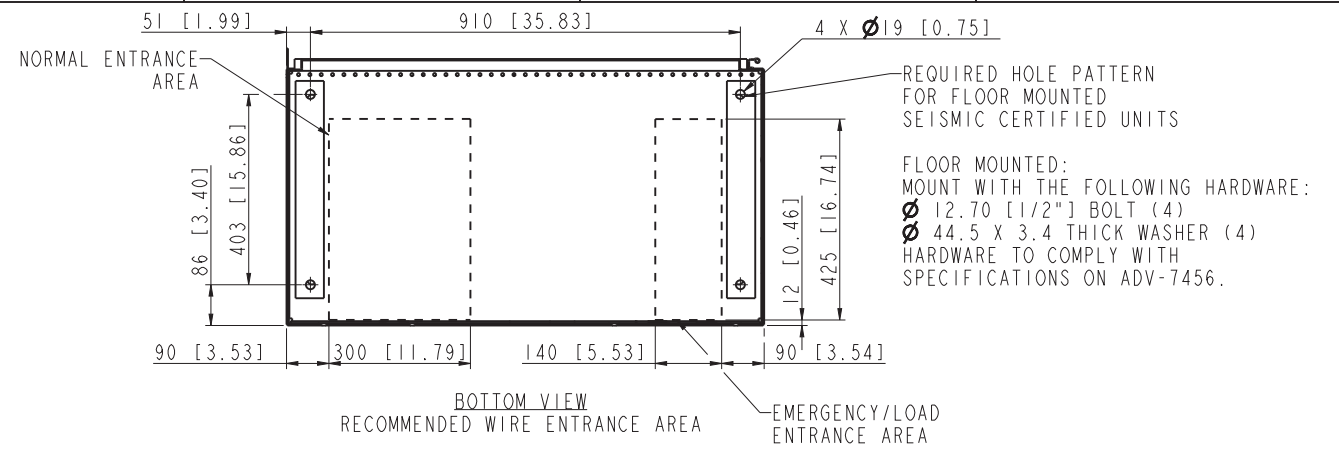
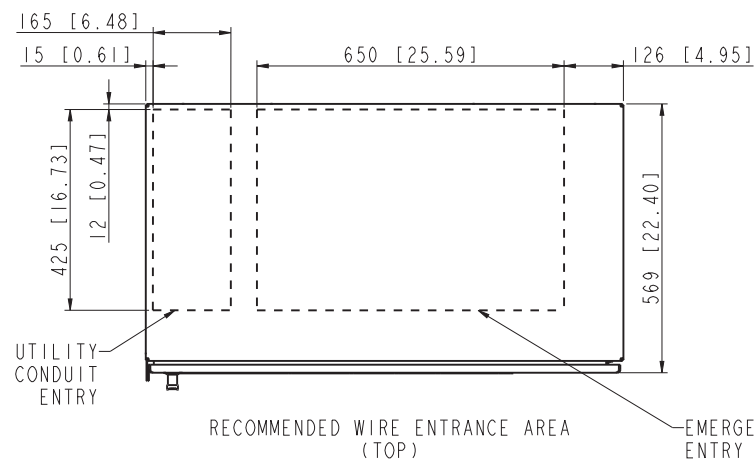
DO NOT SCALE.
THIS ASSEMBLY OR PART MUST
COMPLY WITH PEP-RML-001.
REFERENCE CAD MODEL FOR
UNSPECIFIED DIMENSIONS.

KOHLER.

SCALE: 0.16 SHEET SIZE: D SHEET: 2 OF 4

TITLE
**Dimension Print, SE ATS
150-800A**
DWG NO.: **ADV-9984**

THIS DRAWING IN DESIGN AND DETAIL IS KOHLER CO. PROPERTY AND MUST NOT BE USED EXCEPT IN CONNECTION WITH KOHLER CO. WORK. ALL RIGHTS OF DESIGN OR INVENTION ARE RESERVED.



NOTE:
ALLOW FOR MINIMUM DOOR SWING
CLEARANCE OF 1005 [39.57] IN FRONT OF CABINET

- NOTES:
1. FINISH: ANSI 49 GRAY.
 2. REFER TO OPERATOR'S MANUAL PRIOR TO INSTALLATION AND OPERATION OF UNIT.
 3. FOR SEISMIC CERTIFIED UNITS, REFER TO ADV-7456 AND INSTALLATION INSTRUCTIONS.
 4. UTILITY CIRCUIT BREAKER:
 - SCHNEIDER, 80 OR 100% THERMAL MAGNETIC TRIP (225/250A TYPE JG/JL, 400A TYPE LH)
 - 80 OR 100% MICROLOGIC 3.2 LI ELECTRONIC TRIP (250A TYPE JG/JL, 400A TYPE LJ/LL, 600A TYPE PJ/PK)
 5. SEE SHEET 2 FOR MODEL AND LUG INFO.

NEMA 3R

		WEIGHT KG (LBS)	
TRANSITION	2P	3P	4P
STANDARD	522 [1151]	530 [1168]	541 [1193]
PROG	537 [1184]	545 [1202]	556 [1226]

REV	DATE	ON COMPOSITE DWG, SEE PART NO. FOR REVISION LEVEL. (A-3) INDICATES PART NUMBERS AFFECTED BY LATEST DRAWING REVISION	BY
-	25MAY2023	NEW DRAWING [C1229803]	NMD
A	15FEB2024	ADDED NOTE 5; ADDED DUAL DIM. (A-3) UPDATED DUAL WEIGHT; (D-1) UPDATED SEISMIC NOTE; (D-7) DIM 569 WAS 567; (D-3) DIM 86 WAS 85; 594 WAS 593; (D-4) ALTERNATE MOUNTING NOTE REMOVED; (C-3) DIM 54 REMOVED; (D-3) DIM 76 & 872 REMOVED; [C1231465]	NMD

UNLESS OTHERWISE SPECIFIED:
ALL DIMENSIONS IN MILLIMETERS
GENERAL TOLERANCES:
2.0 ± 0.10
3.0 ± 0.15
4.0 ± 0.20
HOLE Ø ± 0.10
SURFACE FINISH
ANGLE 45° ± 30° MAX.
DIM. UNLESS OTHERWISE SPECIFIED

THIRD ANGLE PROJECTION

MAJOR DIMENSIONS
CRITICAL DIMENSIONS

CHARACTERISTICS COMPLY WITH IEC 60022

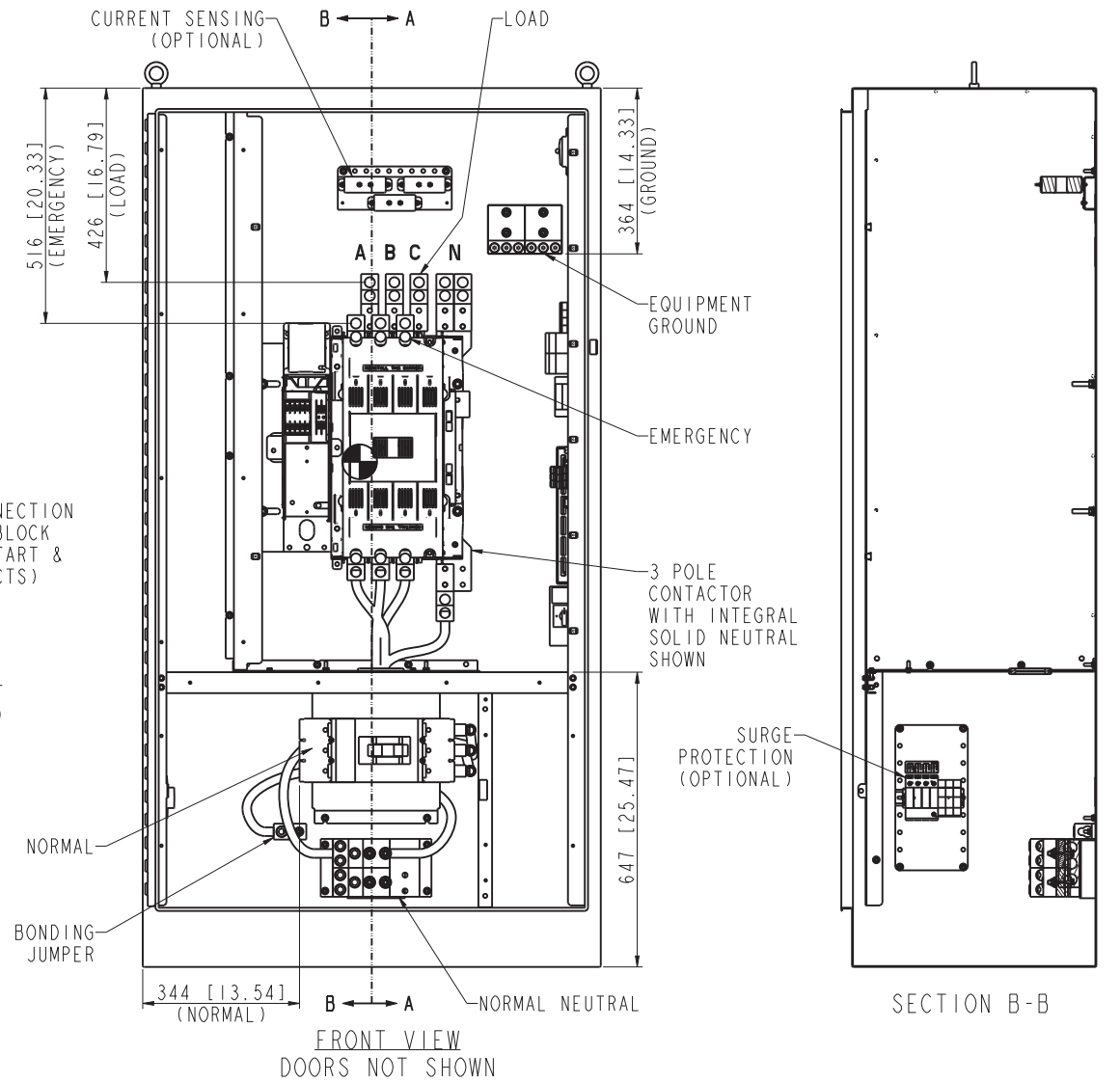
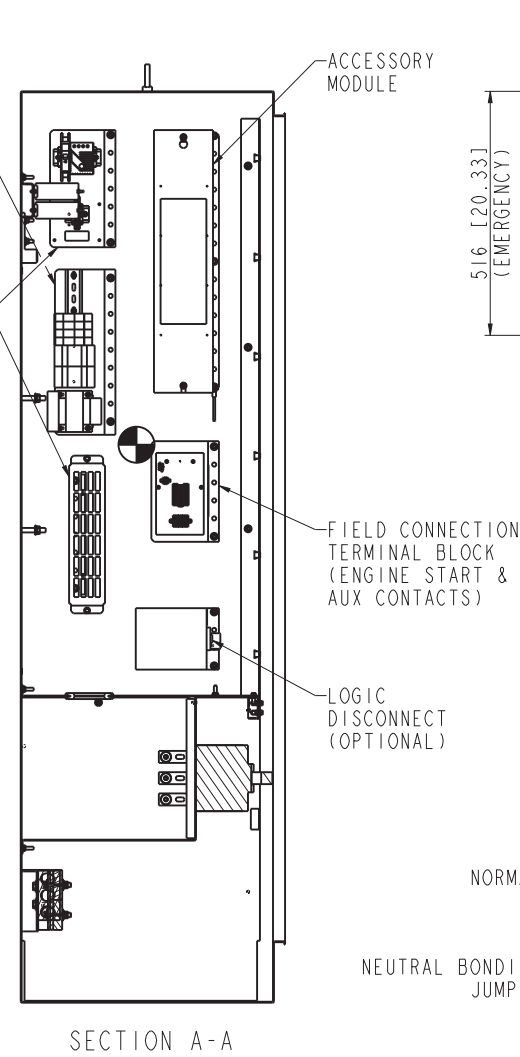
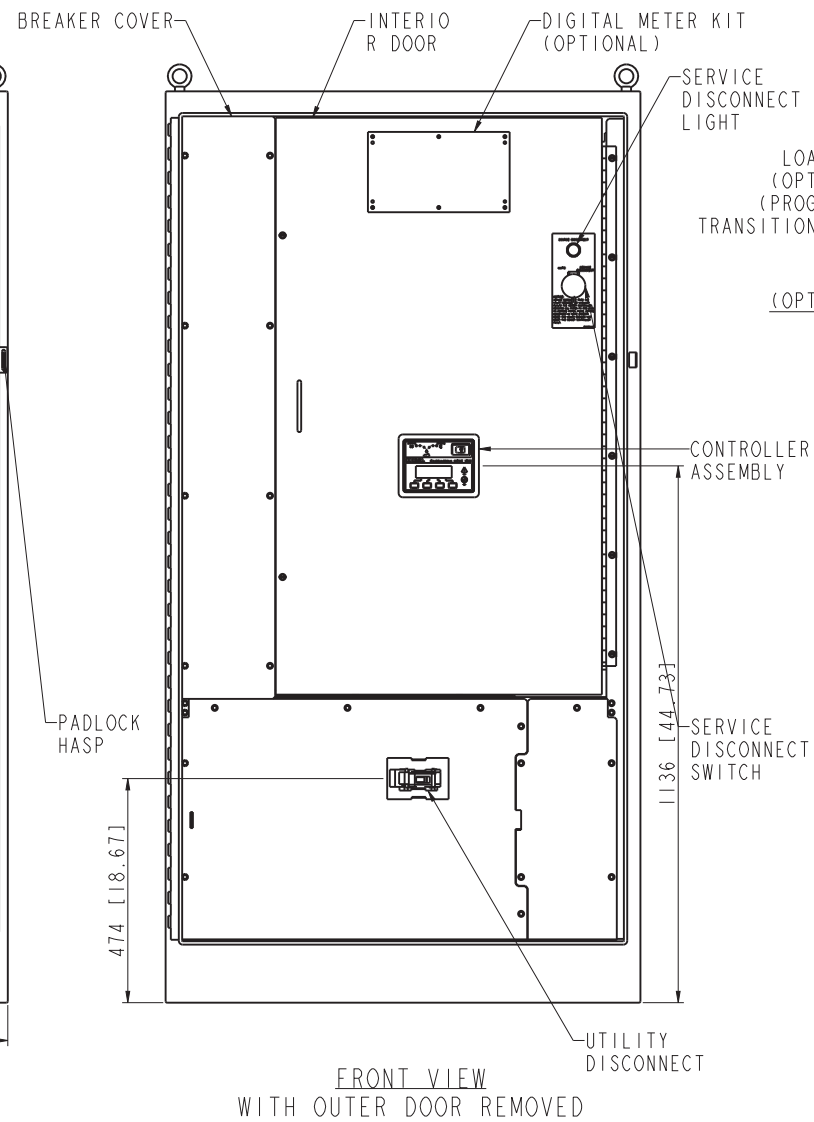
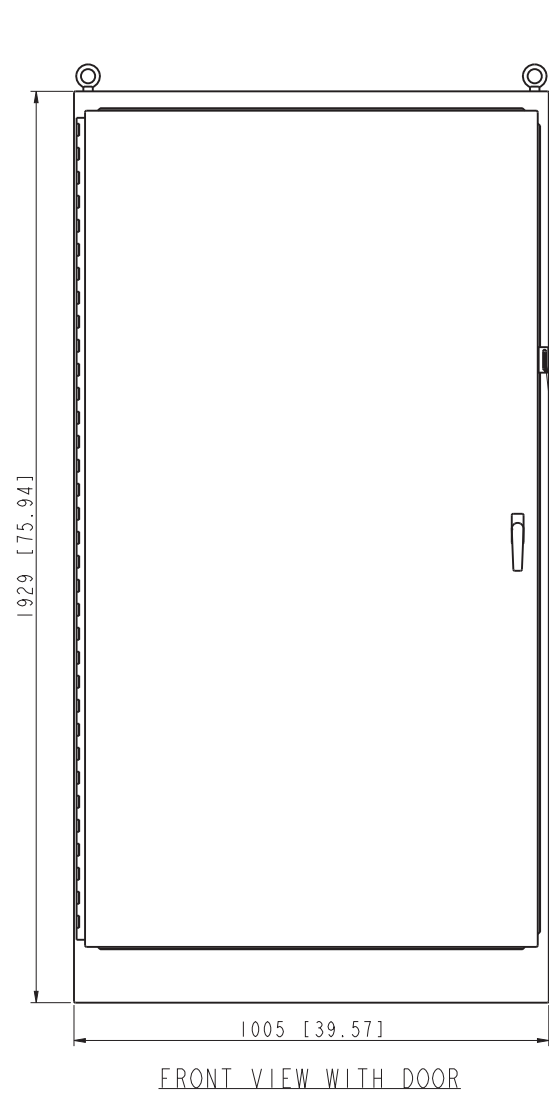
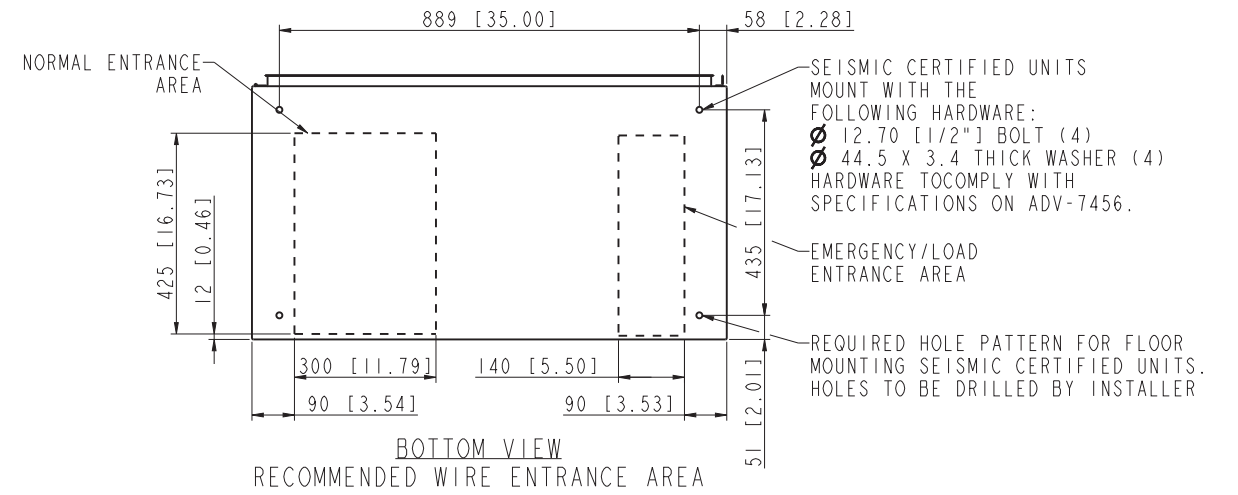
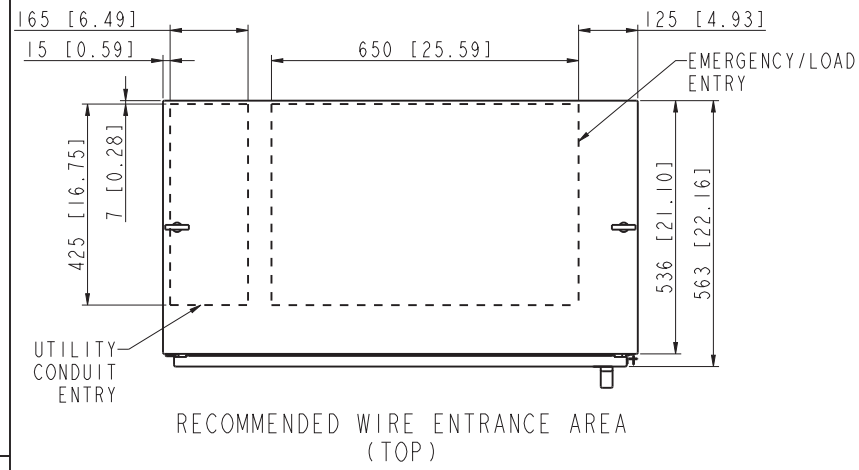
DRAWN: NMD DATE: 25MAY2023
APPROVED: NMD

DO NOT SCALE. THIS ASSEMBLY OR PART MUST COMPLY WITH PEP-RML-001. REFERENCE CAD MODEL FOR UNSPECIFIED DIMENSIONS.

KOHLER

SCALE: 0.16 SHEET SIZE: D SHEET: 3 OF 4

Dimension Print, SE ATS
150-800A
DWG NO.: ADV-9984



NOTE:
 ALLOW FOR MINIMUM DOOR SWING CLEARANCE OF 1005 [39.57] IN FRONT OF CABINET

NOTES:

1. FINISH: ANSI 49 GRAY (NEMA 4 & 12)
 NONE (NEMA 4X)
2. REFER TO OPERATOR'S MANUAL PRIOR TO INSTALLATION AND OPERATION OF UNIT.
3. FOR SEISMIC CERTIFIED UNITS, REFER TO ADV-7456 AND INSTALLATION INSTRUCTIONS.
4. UTILITY CIRCUIT BREAKER:
 - SCHNEIDER, 80 OR 100% THERMAL MAGNETIC TRIP (225/250A TYPE JG/JL, 400A TYPE LH)
 - 80 OR 100% MICROLOGIC 3.2 LI ELECTRONIC TRIP (250A TYPE JG/JL, 400A TYPE LJ/LL, 600A TYPE PJ/PK)
5. SEE SHEET 2 FOR MODEL AND LUG INFO.

WEIGHT KG (LBS)			
TRANSITION	2P	3P	4P
STANDARD	540 [1191]	549 [1210]	560 [1335]
PROG			

NEMA 4/4X/12

REV	DATE	ON COMPOSITE DWG, SEE PART NO. FOR REVISION LEVEL. (I) INDICATES PART NUMBERS AFFECTED BY LATEST DRAWING REVISION	BY
-	25MAY2023	NEW DRAWING [CT229803]	NMD
A	15FEB2024	ADDED NOTE 5; ADDED DUAL DIM. (D-2-1) ADDED SEISMIC NOTE; (A-3) UPDATED DUAL WEIGHT: (D-3) ADDED DIM 889; (D-2) ADDED DIM 58, 435 & 51 [CT2314651]	NMD

THIRD ANGLE PROJECTION	
MAJOR DIMENSION	0"
CRITICAL DIMENSION	0.005"
CHARACTERISTICS COMPLY WITH	ANSI Y14.5
APPROVED	DATE: 25MAY2023

DO NOT SCALE. THIS ASSEMBLY OR PART MUST COMPLY WITH PEP-RML-001. REFERENCE CAD MODEL FOR UNSPECIFIED DIMENSIONS.

KOHLER

SCALE: 0.16 SHEET SIZE: D SHEET: 4 OF 4

Dimension Print, SE ATS 150-800A

DWG NO: ADV-9984