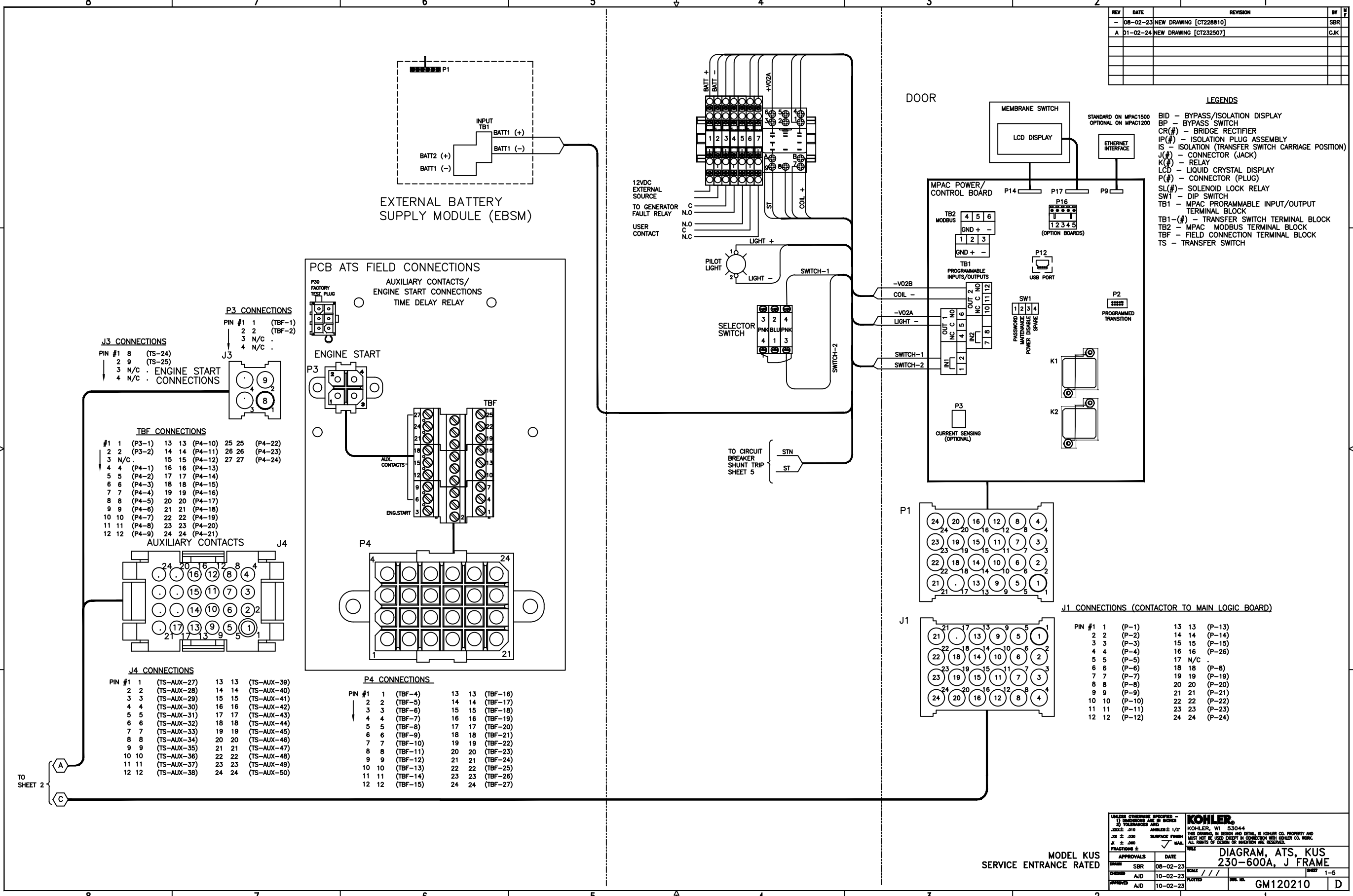


REV	DATE	REVISION	BY
-	08-02-23	NEW DRAWING [CT228810]	SBR
A	01-02-24	NEW DRAWING [CT232507]	CJK



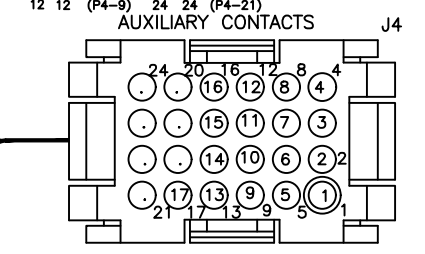
- LEGENDS**
- BID - BYPASS/ISOLATION DISPLAY
  - BP - BYPASS SWITCH
  - CR(#)- BRIDGE RECTIFIER
  - IP(#)- ISOLATION PLUG ASSEMBLY
  - IS - ISOLATION (TRANSFER SWITCH CARRIAGE POSITION)
  - J(#)- CONNECTOR (JACK)
  - K(#)- RELAY
  - LCD - LIQUID CRYSTAL DISPLAY
  - P(#)- CONNECTOR (PLUG)
  - SL(#)- SOLENOID LOCK RELAY
  - SW1 - DIP SWITCH
  - MPAC - MPAC PROGRAMMABLE INPUT/OUTPUT TERMINAL BLOCK
  - TB1-(#)- TRANSFER SWITCH TERMINAL BLOCK
  - TB2 - MPAC MODBUS TERMINAL BLOCK
  - TBF - FIELD CONNECTION TERMINAL BLOCK
  - TS - TRANSFER SWITCH

**J3 CONNECTIONS**

PIN #1	8	(TS-24)
2	9	(TS-25)
3	N/C	ENGINE START CONNECTIONS
4	N/C	

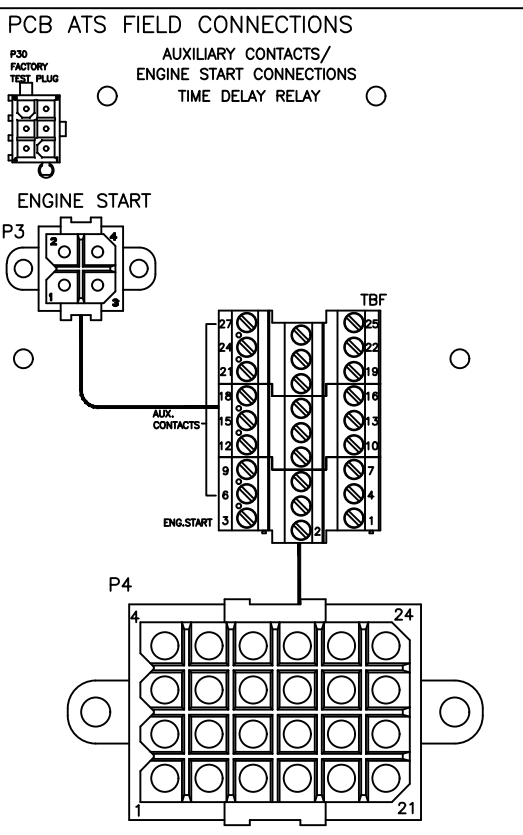
**TBF CONNECTIONS**

#1	1	(P3-1)	13	13	(P4-10)	25	25	(P4-22)
2	2	(P3-2)	14	14	(P4-11)	26	26	(P4-23)
3	N/C		15	15	(P4-12)	27	27	(P4-24)
4	4	(P4-1)	16	16	(P4-13)			
5	5	(P4-2)	17	17	(P4-14)			
6	6	(P4-3)	18	18	(P4-15)			
7	7	(P4-4)	19	19	(P4-16)			
8	8	(P4-5)	20	20	(P4-17)			
9	9	(P4-6)	21	21	(P4-18)			
10	10	(P4-7)	22	22	(P4-19)			
11	11	(P4-8)	23	23	(P4-20)			
12	12	(P4-9)	24	24	(P4-21)			



**J4 CONNECTIONS**

PIN #1	1	(TS-AUX-27)	13	13	(TS-AUX-39)
2	2	(TS-AUX-28)	14	14	(TS-AUX-40)
3	3	(TS-AUX-29)	15	15	(TS-AUX-41)
4	4	(TS-AUX-30)	16	16	(TS-AUX-42)
5	5	(TS-AUX-31)	17	17	(TS-AUX-43)
6	6	(TS-AUX-32)	18	18	(TS-AUX-44)
7	7	(TS-AUX-33)	19	19	(TS-AUX-45)
8	8	(TS-AUX-34)	20	20	(TS-AUX-46)
9	9	(TS-AUX-35)	21	21	(TS-AUX-47)
10	10	(TS-AUX-36)	22	22	(TS-AUX-48)
11	11	(TS-AUX-37)	23	23	(TS-AUX-49)
12	12	(TS-AUX-38)	24	24	(TS-AUX-50)



**P4 CONNECTIONS**

PIN #1	1	(TBF-4)	13	13	(TBF-16)
2	2	(TBF-5)	14	14	(TBF-17)
3	3	(TBF-6)	15	15	(TBF-18)
4	4	(TBF-7)	16	16	(TBF-19)
5	5	(TBF-8)	17	17	(TBF-20)
6	6	(TBF-9)	18	18	(TBF-21)
7	7	(TBF-10)	19	19	(TBF-22)
8	8	(TBF-11)	20	20	(TBF-23)
9	9	(TBF-12)	21	21	(TBF-24)
10	10	(TBF-13)	22	22	(TBF-25)
11	11	(TBF-14)	23	23	(TBF-26)
12	12	(TBF-15)	24	24	(TBF-27)

**J1 CONNECTIONS (CONTACTOR TO MAIN LOGIC BOARD)**

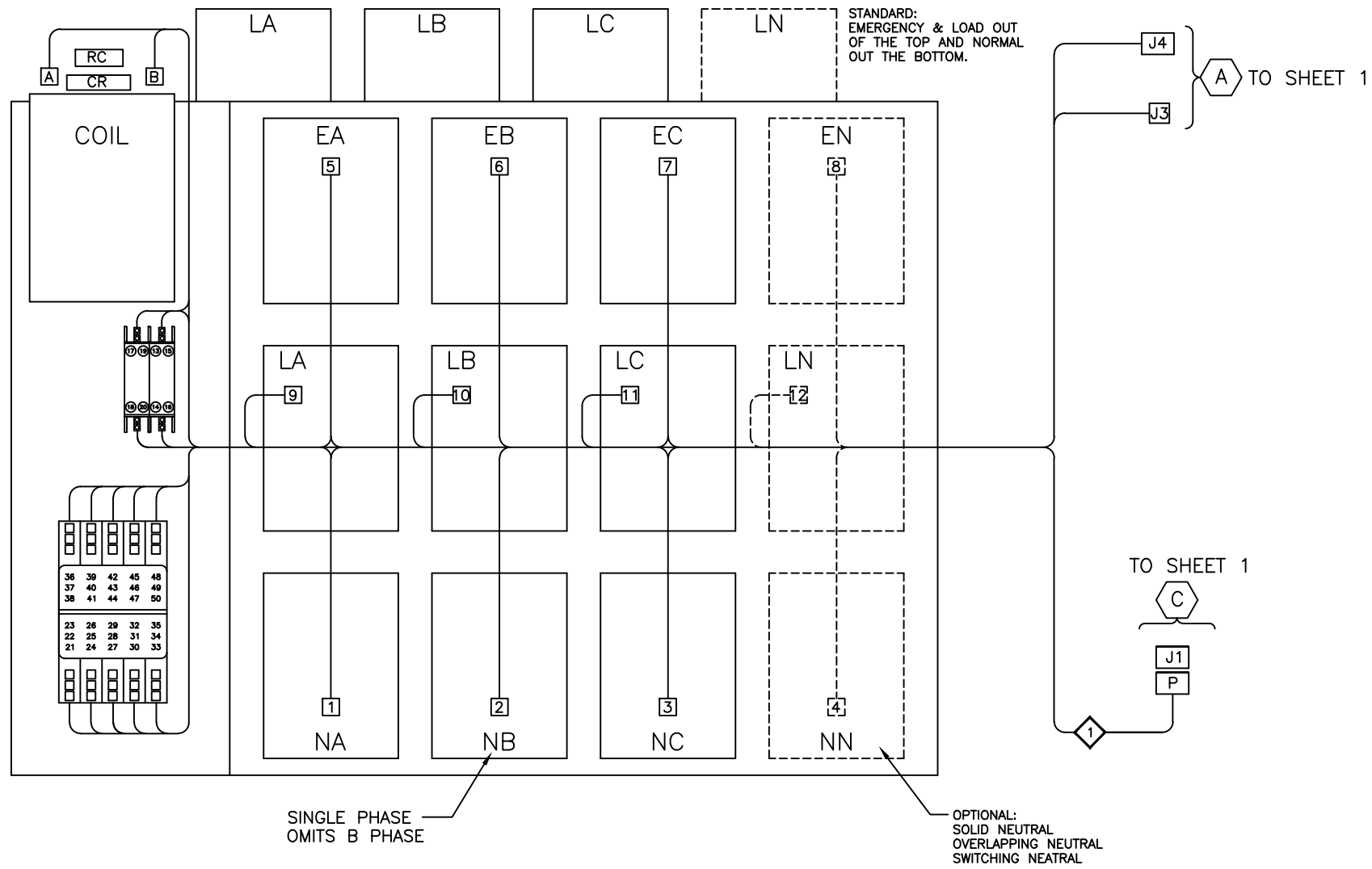
PIN #1	1	(P-1)	13	13	(P-13)
2	2	(P-2)	14	14	(P-14)
3	3	(P-3)	15	15	(P-15)
4	4	(P-4)	16	16	(P-26)
5	5	(P-5)	17	N/C	
6	6	(P-6)	18	18	(P-8)
7	7	(P-7)	19	19	(P-19)
8	8	(P-8)	20	20	(P-20)
9	9	(P-9)	21	21	(P-21)
10	10	(P-10)	22	22	(P-22)
11	11	(P-11)	23	23	(P-23)
12	12	(P-12)	24	24	(P-24)

UNLESS OTHERWISE SPECIFIED - 1) DIMENSIONS ARE IN INCHES 2) TOLERANCES ARE: FRACTIONS ± DECIMALS ± ANGLES ± 1/2° SURFACE FINISH: FRACTIONS ± DECIMALS ±		<b>KOHLER.</b> KOHLER, WI 53044 THIS DRAWING, IN DESIGN AND DETAIL, IS KOHLER CO. PROPERTY AND MUST NOT BE USED EXCEPT IN CONNECTION WITH KOHLER CO. WORK. ALL RIGHTS OF DESIGN OR INVENTION ARE RESERVED.	
APPROVALS		DATE	
DESIGNED SBR	08-02-23	SCALE	1-5
DRAWN A/JD	10-02-23	PLOTTED	GM120210
APPROVED A/JD	10-02-23	REV. NO.	D

MODEL KUS  
SERVICE ENTRANCE RATED

REV	DATE	REVISION	BY
-	08-02-23	NEW DRAWING [CT228810]	SBR
A	01-02-24	NEW DRAWING [CT232507]	CJK

### TS (TRANSFER SWITCH)



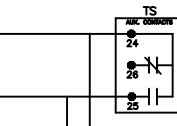
MODEL KUS  
SERVICE ENTRANCE RATED

UNLESS OTHERWISE SPECIFIED -		KOHLER, WI 53044	
1) DIMENSIONS ARE IN INCHES	2) TOLERANCES ARE AS SHOWN	THIS DRAWING, IN DESIGN AND DETAIL, IS KOHLER CO. PROPERTY AND MUST NOT BE USED EXCEPT IN CONNECTION WITH KOHLER CO. WORK. ALL RIGHTS OF DESIGN OR INVENTION ARE RESERVED.	
SIZE: .010	ANGLE: ± 1/2°	TITLE: <b>DIAGRAM, ATS, KUS</b>	
DR: .030	SURFACE FINISH: MAX.	MODEL: <b>230-600A, J FRAME</b>	
± .000	FRACTIONS: ±	SCALE: ///	SHEET: 2-5
APPROVALS	DATE	PLOTTED	REV. NO.
DESIGN: SBR	08-02-23		GM120210
CHECKED: A/JD	10-02-23		
APPROVED: A/JD	10-02-23		

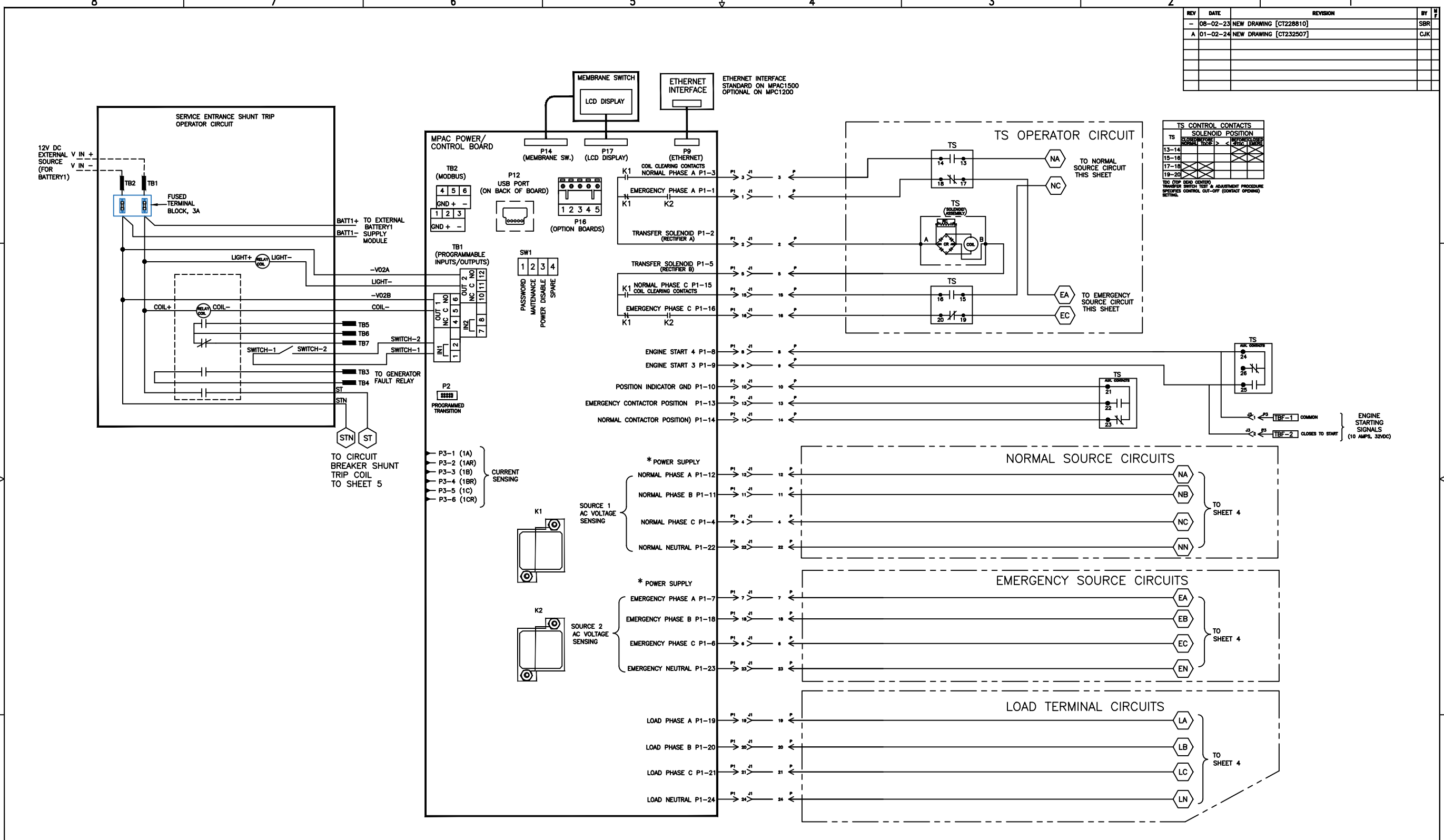
REV	DATE	REVISION	BY
-	08-02-23	NEW DRAWING [CT228810]	SBR
A	01-02-24	NEW DRAWING [CT232507]	CJK

TS CONTROL CONTACTS		
TS	SOLENOID POSITION	MANUFACTURER'S SYMBOL
13-14	CLOSED TO START	
15-16	OPEN TO STOP	
17-18	CLOSED TO STOP	
19-20	OPEN TO START	

TS TOP LEAD CENTER  
TRANSFER SWITCH TEST & ADJUSTMENT PROCEDURE  
SPECIFIC CONTROL OUT-OF-COMMUNICATION  
SETTING



ENGINE STARTING SIGNALS (10 AMP, 300V)



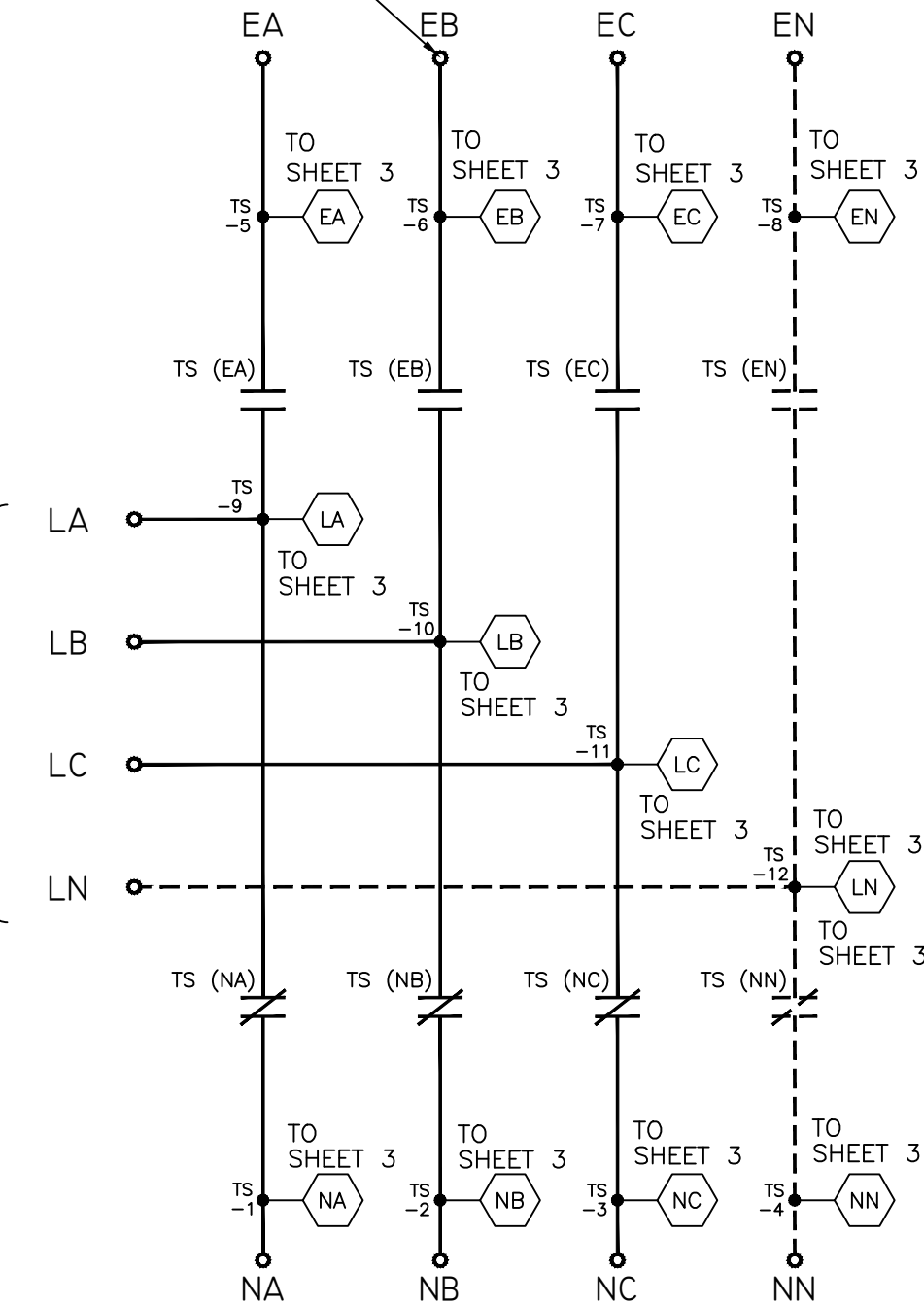
NOTE: SINGLE PHASE OMITTS B PHASE

UNLESS OTHERWISE SPECIFIED - 1) DIMENSIONS ARE IN INCHES 2) TOLERANCES ARE: FRACTIONS ± MAX. DECIMALS ± MAX. SURFACE FINISH: MAX.		<b>KOHLER</b> KOHLER, WI 53044 THIS DRAWING, IN DESIGN AND DETAIL, IS KOHLER CO. PROPERTY AND MUST NOT BE REPRODUCED OR COPIED WITHOUT THE WRITTEN CONSENT OF KOHLER CO. ALL RIGHTS OF DESIGN OR INVENTION ARE RESERVED.	
MODEL KUS SERVICE ENTRANCE RATED		TITLE <b>DIAGRAM, ATS, KUS          230-600A, J FRAME</b>	
APPROVALS	DATE	SCALE	SHEET
SBR	08-02-23	///	3-5
AJD	10-02-23		
AJD	10-02-23		
PART NO. <b>GM120210</b>		DRAWING NO. <b>D</b>	

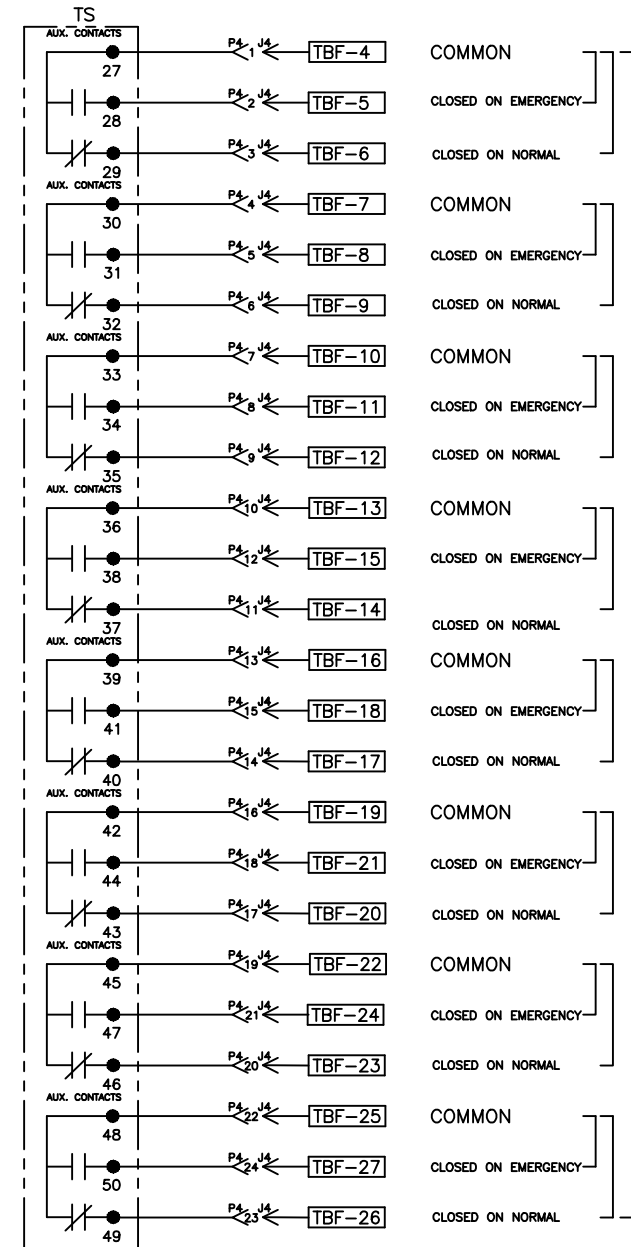
REV	DATE	REVISION	BY
-	08-02-23	NEW DRAWING [CT228810]	SBR
A	01-02-24	NEW DRAWING [CT232507]	CJK

SINGLE PHASE  
OMITS B PHASE

EMERGENCY



NORMAL



TS  
AUXILIARY  
CONTACTS  
(10 AMPS, 32VDC)  
(10 AMPS, 250VAC)  
GENERAL PURPOSE

GENERAL NOTES

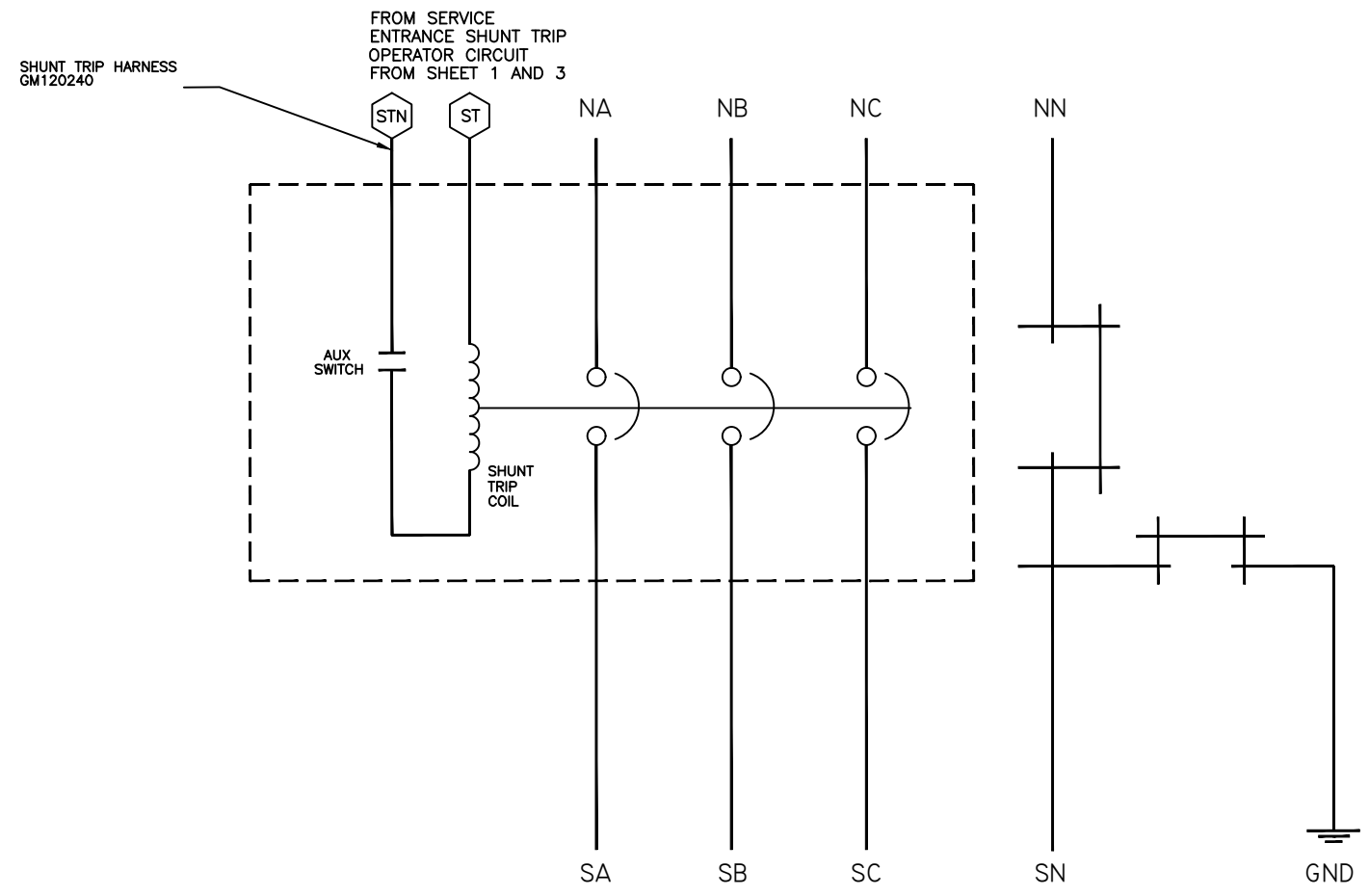
1. SWITCH SHOWN DE-ENERGIZED AND CONNECTED TO THE NORMAL SOURCE.
2. ALL WIRING IS #16 AWG, TINNED, STRANDED COPPER UNLESS OTHERWISE INDICATED.
3. ○ ON TERMINAL BLOCKS INDICATES AVAILABLE FIELD CONNECTION POINT.
4. ● ON TERMINAL BLOCKS INDICATES FACTORY CONNECTION POINT.

MODEL KUS  
SERVICE ENTRANCE RATED

UNLESS OTHERWISE SPECIFIED - 1) DIMENSIONS ARE IN INCHES 2) TOLERANCES ARE: FRACTIONS ± DECIMALS ± SURFACE FINISH: MAX. ANGLE ± 1/2°		<b>KOHLER</b> KOHLER, WI 53044 THIS DRAWING, IN DESIGN AND DETAIL, IS KOHLER CO. PROPERTY AND MUST NOT BE REPRODUCED OR COPIED WITHOUT THE WRITTEN CONSENT OF KOHLER CO. ALL RIGHTS OF DESIGN OR INVENTION ARE RESERVED.	
TITLE: <b>DIAGRAM, ATS, KUS 230-600A, J FRAME</b>		SCALE: // /	SHEET: 4-5
APPROVALS:	DATE:	PLOTTED:	REV. NO.:
DESIGNED: SBR	08-02-23		GM120210
CHECKED: A/JD	10-02-23		
APPROVED: A/JD	10-02-23		D

REV	DATE	REVISION	BY
-	08-02-23	NEW DRAWING [CT228810]	SBR
A	01-02-24	NEW DRAWING [CT232507]	CJK

TO TRANSFER CONTACTOR  
NORMAL TERMINALS



FROM INCOMING  
SERVICE CONDUCTORS

MODEL KUS  
SERVICE ENTRANCE RATED

UNLESS OTHERWISE SPECIFIED - 1) DIMENSIONS ARE IN INCHES 2) TOLERANCES ARE: FRACTIONS ± DECIMALS ± ANGLES ± 1/2° SURFACE FINISH: MAX. DIMENSIONS ±		<b>KOHLER</b> KOHLER, WI 53044 <small>THIS DRAWING, IN DESIGN AND DETAIL, IS KOHLER CO. PROPERTY AND MUST NOT BE USED EXCEPT IN CONNECTION WITH KOHLER CO. WORK. ALL RIGHTS OF DESIGN OR INVENTION ARE RESERVED.</small>	
APPROVALS SBR 08-02-23 A/JD 10-02-23 A/JD 10-02-23		TITLE <b>DIAGRAM, ATS, KUS 230-600A, J FRAME</b>	
DATE		SCALE	SHEET
10-02-23		///	5-5
10-02-23		PLOTTED	REV. NO. GM120210