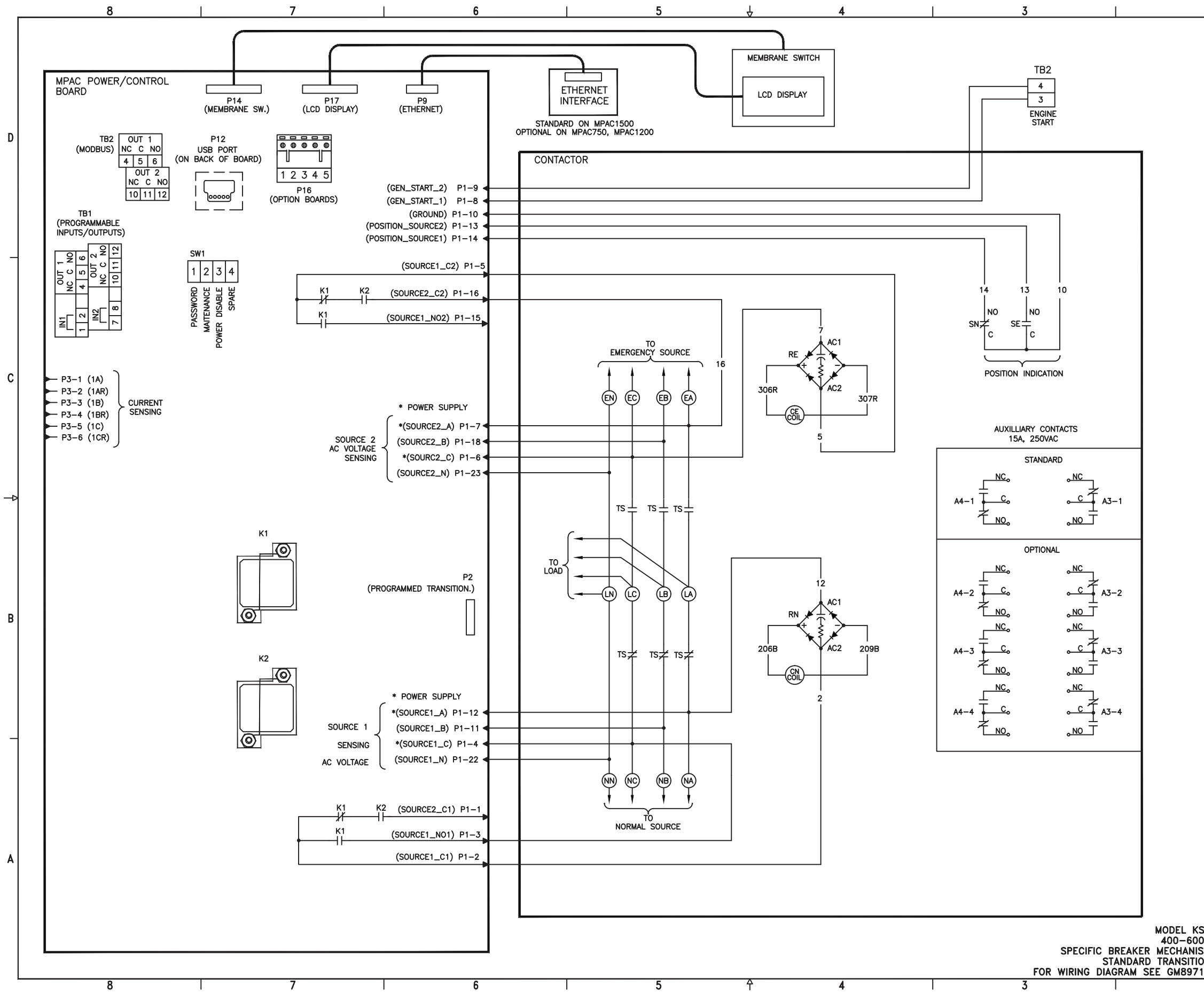


REV	DATE	REVISION	BY
-	11-11-13	NEW DRAWING [CTS5122]	DFS

- LEGEND**
- A3-(#), A4-(#) - AUXILIARY CONTACTS
  - CE - CLOSED IN EMERGENCY
  - CN - CLOSED IN NORMAL
  - K(#)- RELAY
  - LCD - LIQUID CRYSTAL DISPLAY
  - P(#)- PLUG
  - RE - BRIDGE RECTIFIER (EMERGENCY)
  - RN - BRIDGE RECTIFIER (NORMAL)
  - SE - SWITCH POSITION CONTACT (EMERGENCY POSITION)
  - SN - SWITCH POSITION CONTACT (NORMAL POSITION)
  - SW1 - DIP SWITCH
  - TB1 - MPAC PROGRAMMABLE INPUT/OUTPUT TERMINAL BLOCK
  - TB2-3,-4 - ENGINE START TERMINAL BLOCK
  - TB2 - MPAC MODBUS TERMINAL BLOCK
  - TS - TRANSFER SWITCH



NOTE:  
DIAGRAM SHOWN WITH "NORMAL" ENERGIZED  
AND CONTACTOR IN THE NORMAL POSITION.

MODEL KSS  
400-600A  
SPECIFIC BREAKER MECHANISM  
STANDARD TRANSITION  
FOR WIRING DIAGRAM SEE GM89716

APPROVALS		DATE	SCALE	SHEET
DESIGNED	DFS	11-11-13	1-1	1-1
CHECKED	MTL	11-11-13		
APPROVED	HCC	11-11-13		

UNLESS OTHERWISE SPECIFIED -  
1) DIMENSIONS ARE IN INCHES  
TOLERANCES ARE:  
FRACTIONS ± .005  
DECIMALS ± .010  
ANGLES ± 1/2°  
SURFACE FINISH  
MACH. SURFACES ± .0005  
NON-MACH. SURFACES ± .005

**KOHLER CO.**  
POWER SYSTEMS, KOHLER, WI 53044 U.S.A.  
THIS DRAWING IS DESIGNED AND DRAWN BY KOHLER CO. PROPERTY AND  
MUST NOT BE USED EXCEPT IN CONNECTION WITH KOHLER CO. WORK.  
ALL RIGHTS OF DESIGN OR INVENTION ARE RESERVED.

TITLE: **DIAGRAM, SCHEMATIC**  
DWG. NO. **GM89715**