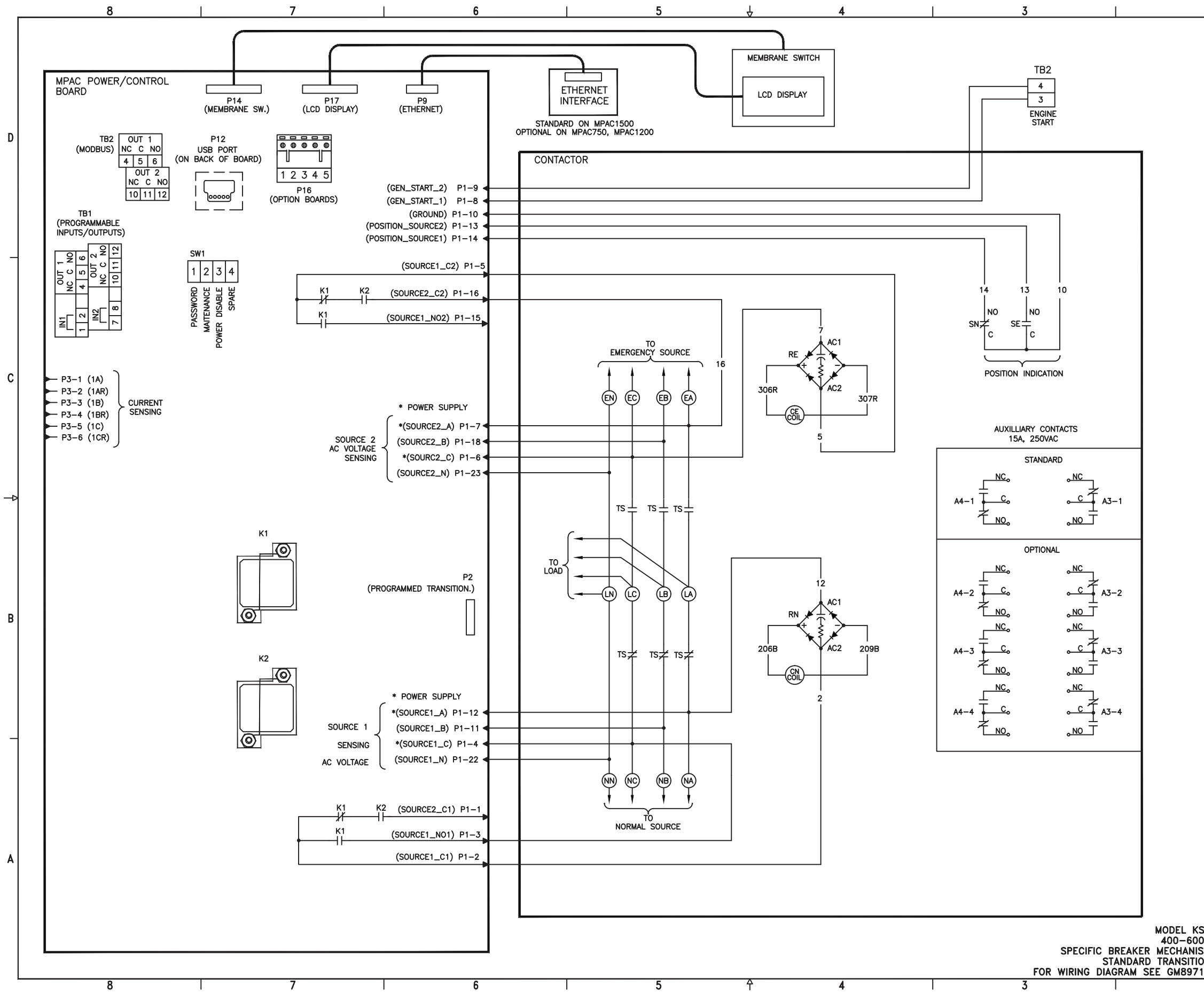


REV	DATE	REVISION	BY
-	11-11-13	NEW DRAWING [CTS5122]	DFS

LEGEND

A3-(#), A4-(#) - AUXILIARY CONTACTS
 CE - CLOSED IN EMERGENCY
 CN - CLOSED IN NORMAL
 K(#)- RELAY
 LCD - LIQUID CRYSTAL DISPLAY
 P(#)- PLUG
 RE - BRIDGE RECTIFIER (EMERGENCY)
 RN - BRIDGE RECTIFIER (NORMAL)
 SE - SWITCH POSITION CONTACT (EMERGENCY POSITION)
 SN - SWITCH POSITION CONTACT (NORMAL POSITION)
 SW1 - DIP SWITCH
 TB1 - MPAC PROGRAMMABLE INPUT/OUTPUT TERMINAL BLOCK
 TB2-3,-4 - ENGINE START TERMINAL BLOCK
 TB2 - MPAC MODBUS TERMINAL BLOCK
 TS - TRANSFER SWITCH



NOTE:
 DIAGRAM SHOWN WITH "NORMAL" ENERGIZED
 AND CONTACTOR IN THE NORMAL POSITION.

MODEL KSS
 400-600A
 SPECIFIC BREAKER MECHANISM
 STANDARD TRANSITION
 FOR WIRING DIAGRAM SEE GM89716

UNLESS OTHERWISE SPECIFIED - 1) DIMENSIONS ARE IN INCHES UNLESS OTHERWISE SPECIFIED 2) TOLERANCES ARE: FRACTIONS ± DECIMALS ± ANGLES ± 1/2° SURFACE FINISH UNLESS OTHERWISE SPECIFIED		KOHLER CO. POWER SYSTEMS, KOHLER, WI 53044 U.S.A. THIS DRAWING IS DESIGNED AND DRAWN BY KOHLER CO. PROPERTY AND MUST NOT BE USED EXCEPT IN CONNECTION WITH KOHLER CO. WORK. ALL RIGHTS OF DESIGN OR INVENTION ARE RESERVED.	
APPROVALS DRAWN DFS CHECKED MTL APPROVED HCC		DATE 11-11-13 11-11-13 11-11-13	
TITLE DIAGRAM, SCHEMATIC		SCALE 1:1	
SHEET 1-1		Dwg. No. GM89715	