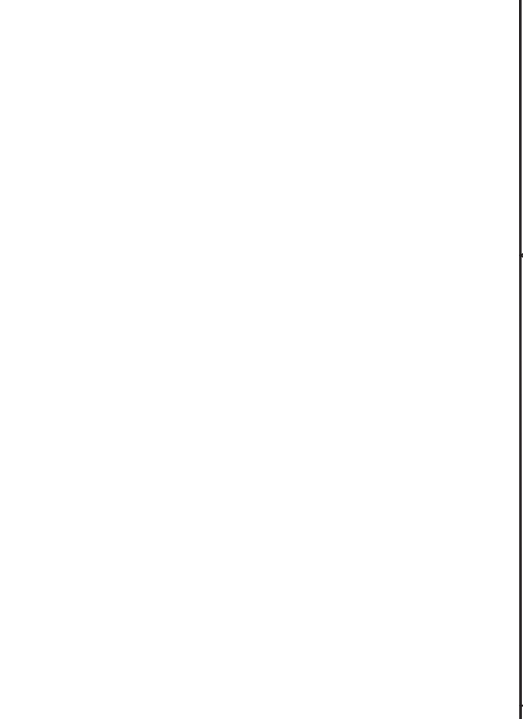
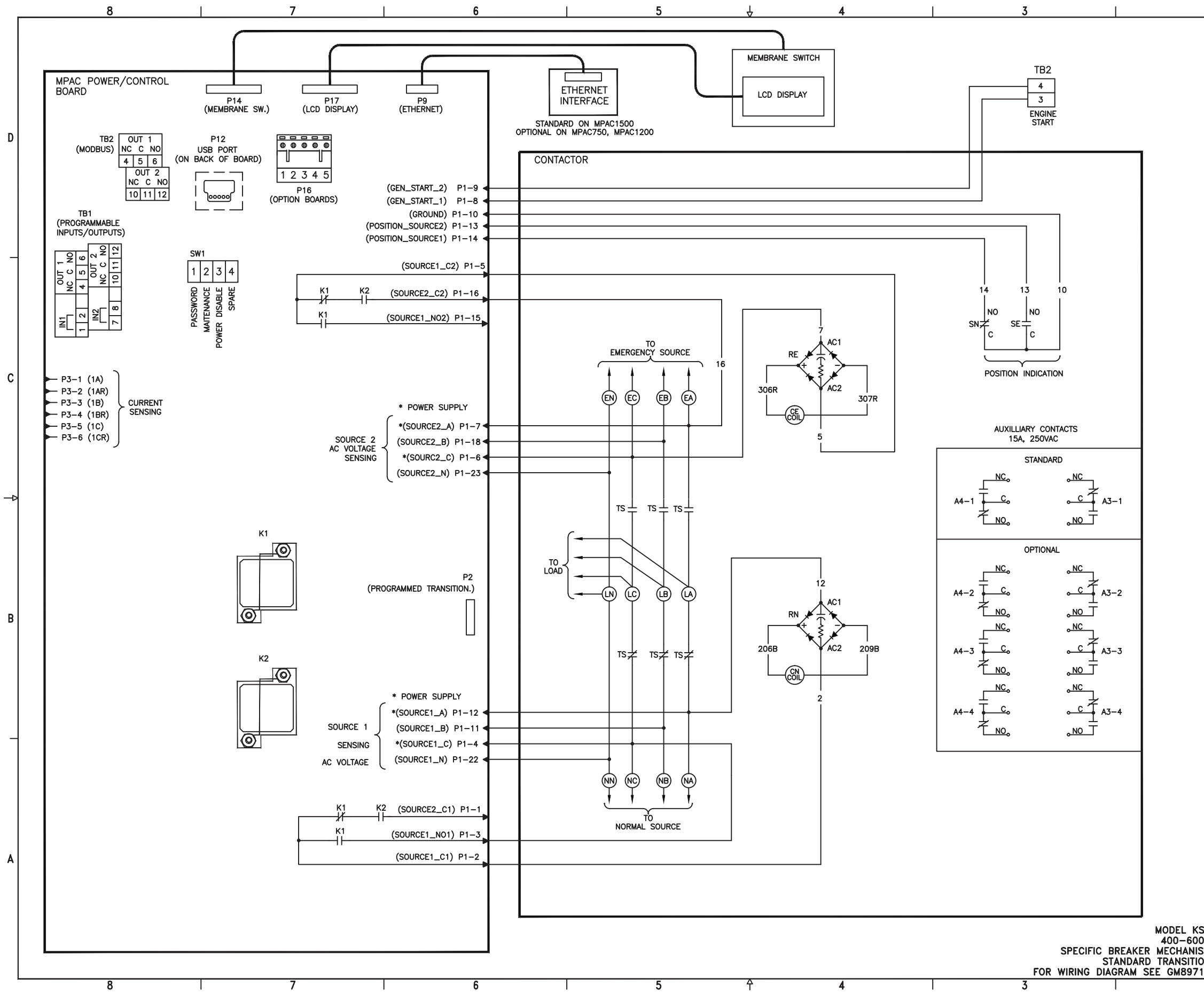


REV	DATE	REVISION	BY
-	11-11-13	NEW DRAWING [CTS5122]	DFS

- LEGEND**
- A3-(#), A4-(#) - AUXILIARY CONTACTS
 - CE - CLOSED IN EMERGENCY
 - CN - CLOSED IN NORMAL
 - K(#)- RELAY
 - LCD - LIQUID CRYSTAL DISPLAY
 - P(#)- PLUG
 - RE - BRIDGE RECTIFIER (EMERGENCY)
 - RN - BRIDGE RECTIFIER (NORMAL)
 - SE - SWITCH POSITION CONTACT (EMERGENCY POSITION)
 - SN - SWITCH POSITION CONTACT (NORMAL POSITION)
 - SW1 - DIP SWITCH
 - TB1 - MPAC PROGRAMMABLE INPUT/OUTPUT TERMINAL BLOCK
 - TB2-3,-4 - ENGINE START TERMINAL BLOCK
 - TB2 - MPAC MODBUS TERMINAL BLOCK
 - TS - TRANSFER SWITCH



NOTE:
DIAGRAM SHOWN WITH "NORMAL" ENERGIZED
AND CONTACTOR IN THE NORMAL POSITION.

MODEL KSS
400-600A
SPECIFIC BREAKER MECHANISM
STANDARD TRANSITION
FOR WIRING DIAGRAM SEE GM89716

UNLESS OTHERWISE SPECIFIED - 1) DIMENSIONS ARE IN INCHES 2) TOLERANCES ARE: FRACTIONS ±		KOHLER CO. POWER SYSTEMS, KOHLER, WI 53044 U.S.A. THIS DRAWING IS DESIGNED AND DRAWN BY KOHLER CO. PROPERTY AND MUST NOT BE USED EXCEPT IN CONNECTION WITH KOHLER CO. WORK. ALL RIGHTS OF DESIGN OR INVENTION ARE RESERVED.	
APPROVALS		TITLE	
DESIGN DFS	DATE 11-11-13	DIAGRAM, SCHEMATIC	
DRAWN MTL	SCALE 1/16"	SHEET 1-1	
CHECKED HCC	DATE 11-11-13	DRAWING NO. GM89716	