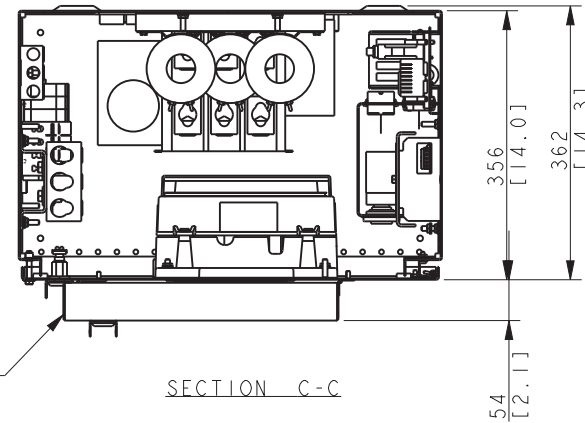


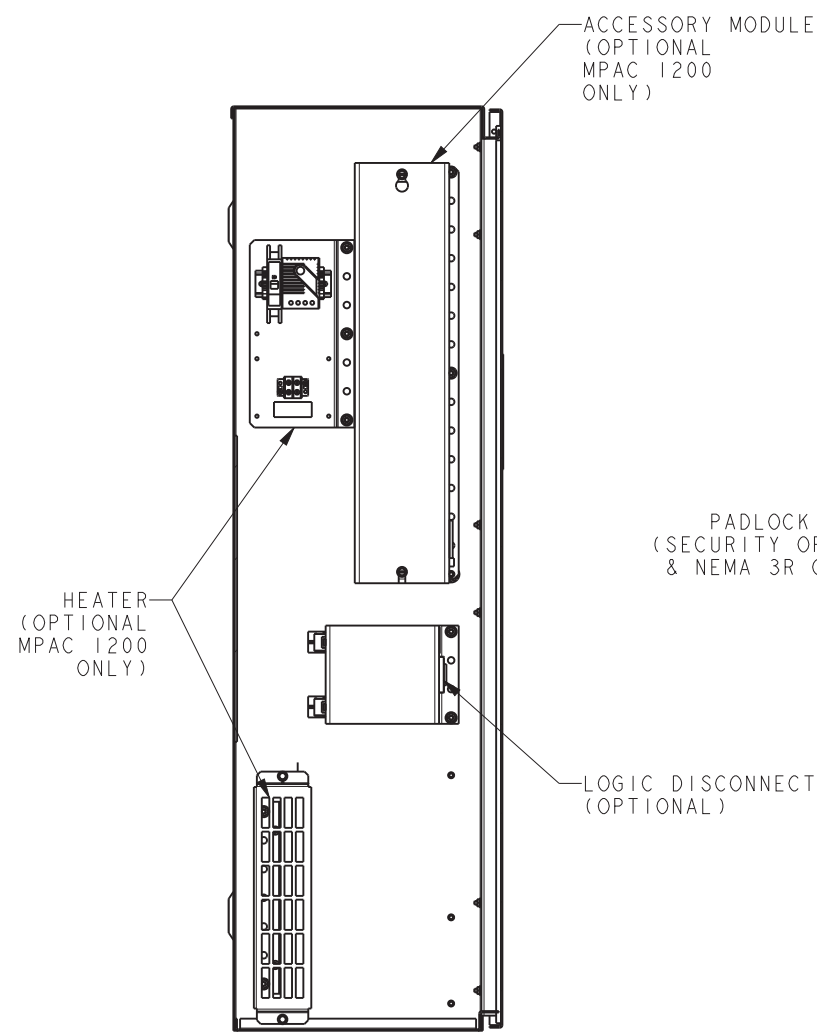
RECOMMENDED ENTRANCE AREA  
TOP & BOTTOM

SECURITY COVER  
(OPTIONAL ON NEMA 1)  
(REQUIRED ON NEMA 3R)

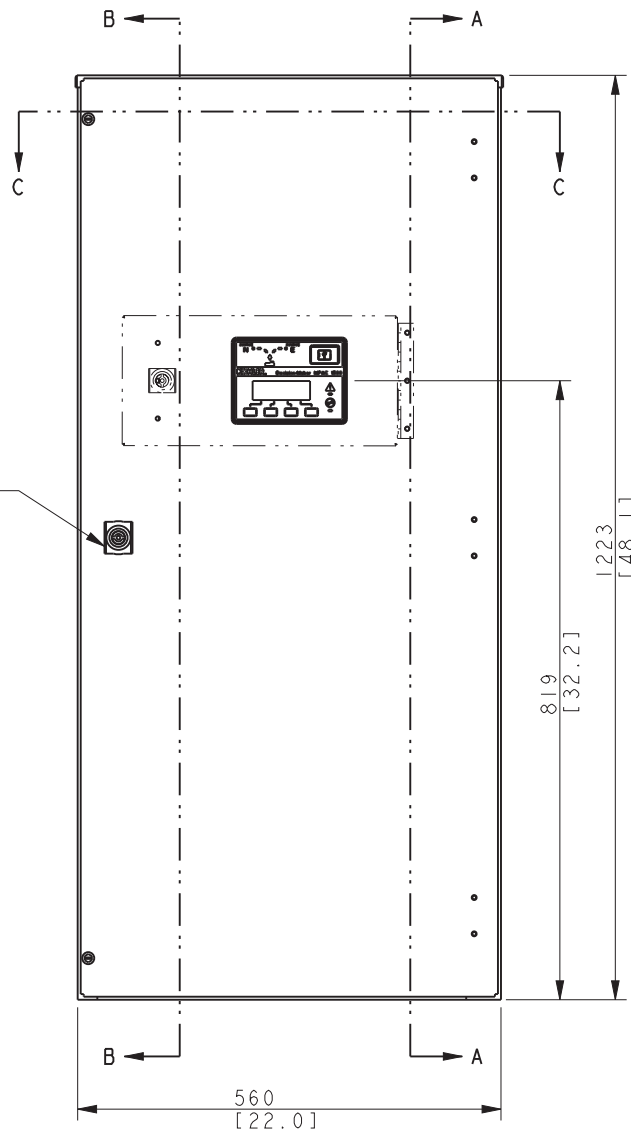


SECTION C-C

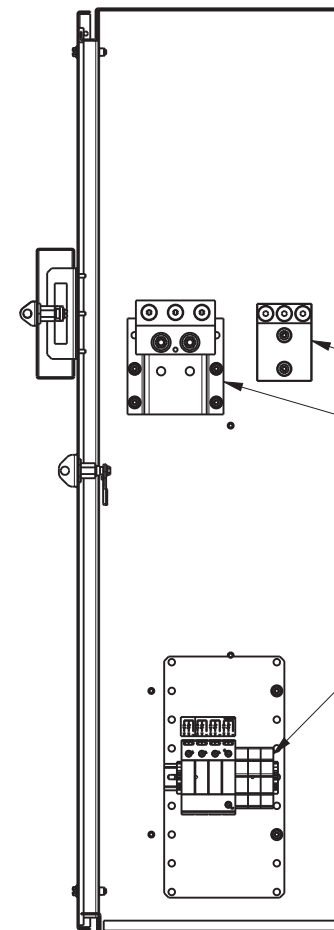
**SEISMIC MOUNTING NOTE:**  
FOR SEISMIC CERTIFIED UNITS,  
MOUNT WITH THE FOLLOWING HARDWARE:  
**WALL MOUNTED (STEEL)**  
Ø9.53 [.375] Dia. SAE GRADE 1 / ASTM A307 BOLTS.  
**WALL MOUNTED (CONCRETE)**  
Ø9.53 [.375] Dia. HILTI KWIK BOLT TZ-CS WITH MIN.  
EMBEDMENT 50.8 [2.00]; EDGE DISTANCE OF 101.6 [4.00]  
ON A 101.6 [4.00] THICK 4000 PSI CONCRETE WALL.  
HARDWARE TO COMPLY WITH SPECIFICATIONS  
ON ADV-7456.



SECTION A-A



560 [22.0] MINIMUM DOOR SWING SPACE REQUIRED



SECTION B-B

NOTES:  
DIMENSIONS IN [ ] ARE INCHES.  
FINISH: ANSI 49 GRAY.  
REFER TO OPERATOR'S MANUAL PRIOR TO  
INSTALLATION AND OPERATION OF UNIT.  
FOR SEISMIC CERTIFIED UNITS, REFER TO  
ADV-7456 AND INSTALLATION INSTRUCTIONS.

REV	DATE	REVISION	BY
-	8-22-13	NEW DRAWING [CT54441]	BTW
A	4-22-14	(A-5) VOLTS: 208-600 WAS 208-480; [CT78618]	BTW

UNLESS OTHERWISE SPECIFIED -  
1) DIMENSIONS ARE IN MILLIMETERS  
2) TOLERANCES ARE:

THIRD ANGLE PROJECTION

APPROVALS

APPROVALS	DATE
BTW	8-22-13
BTW	8-22-13
MTL	8-22-13

SCALE NONE CAD NO. SHEET 1 of 2  
DWG NO. ADV-8588

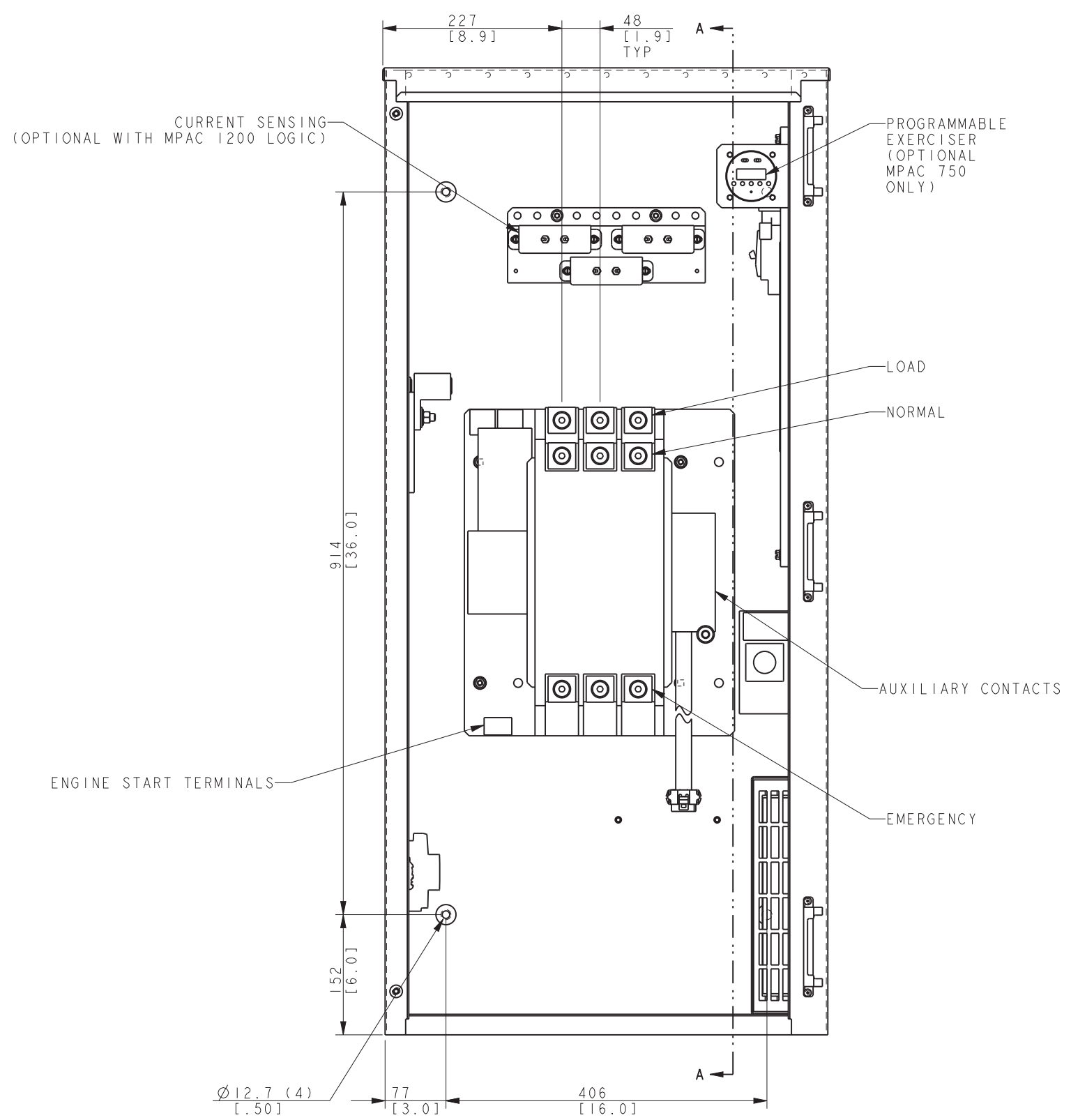
SEE ADV-8565 FOR FULL MODEL CODE DEFINITION

STYLE	MECHANISM	TRANSITION	MPAC LOGIC	VOLTS	POLES	NEUTRAL	ENCLOSURE	AMPS	CONNECTION
KSS	SPECIFIC	STANDARD	750, 1200	208-600	2, 3, 4	SOLID, SW	1, 3R	400	STANDARD

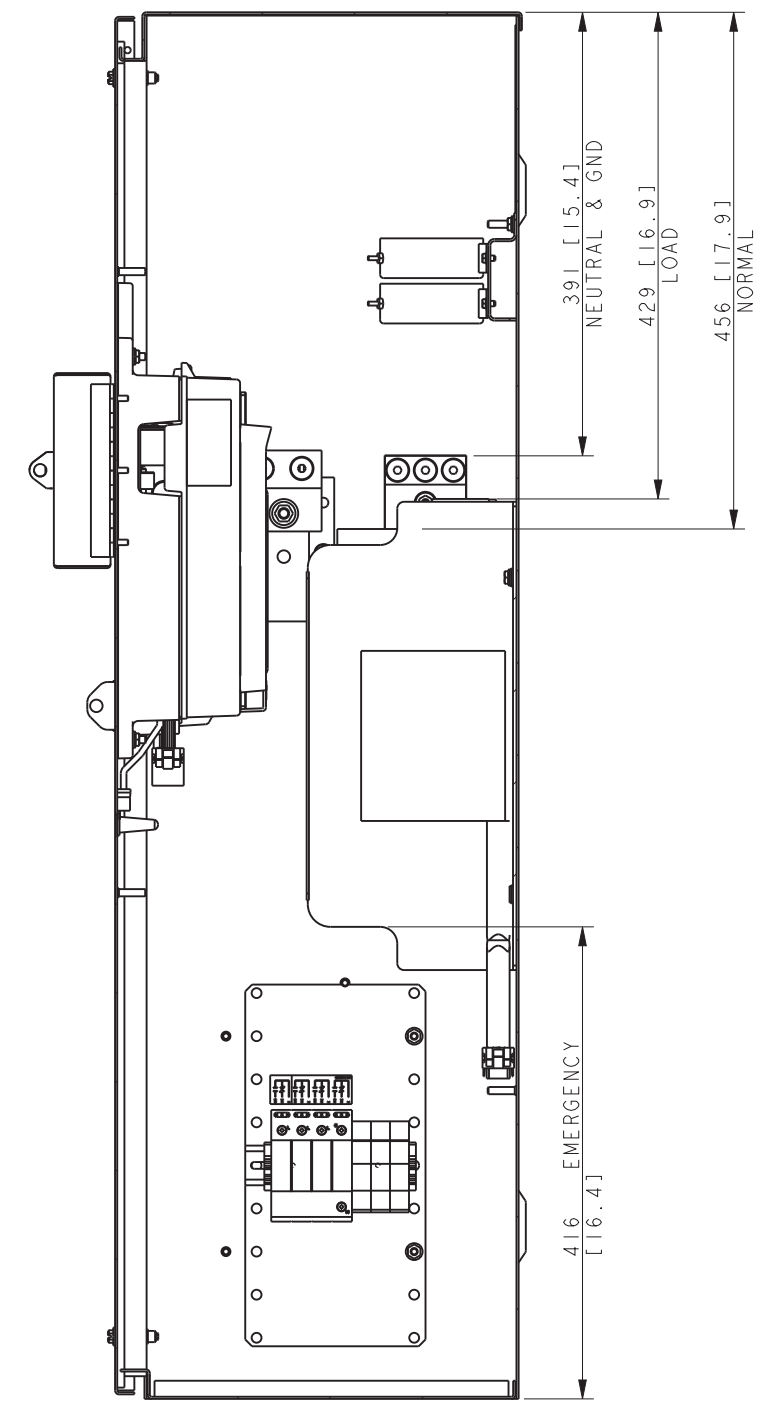
**KOHLER CO.** METRIC PRO-E  
POWER SYSTEMS, KOHLER, WI 53044 U.S.A.  
THIS DRAWING IN DESIGN AND DETAIL IS KOHLER CO.  
PROPERTY AND MUST NOT BE USED EXCEPT IN  
CONNECTION WITH KOHLER CO. WORK. ALL RIGHTS OF  
DESIGN OR INVENTION ARE RESERVED.

TITLE  
DIMENSION PRINT

SCALE NONE CAD NO. SHEET 1 of 2  
DWG NO. ADV-8588



(DOOR REMOVED TO SHOW INTERNAL COMPONENTS)



SECTION A-A

SCREW TYPE TERMINALS FOR EXTERNAL POWER CONNECTION			
SWITCH RATING (AMPS)	RANGE OF AL-CU WIRE SIZES		
	CONTACTOR (PER PHASE)	NEUTRAL (2 & 3 POLE)	GROUND
400	(1) #4 TO 600 KCMIL OR (2) #6 TO 250 KCMIL	(3) #4 TO 600 KCMIL OR (6) 1/0 TO 250 KCMIL	(3) #6 - 3/0

WEIGHTS KG (LBS)		
2 POLE	3 POLE	4 POLE
52 (115)	56 (123)	59 (131)

REV	DATE	REVISION	BY
-	8-22-13	NEW DRAWING [CT54441]	BTW
A	4-22-14	SEE SHEET 1 [CT78618]	BTW

UNLESS OTHERWISE SPECIFIED -  
1) DIMENSIONS ARE IN MILLIMETERS  
2) TOLERANCES ARE:

THIRD ANGLE PROJECTION

APPROVALS

DATE	DATE
BTW 8-22-13	BTW 8-22-13
BTW 8-22-13	BTW 8-22-13
MTL 8-22-13	MTL 8-22-13

**KOHLER CO.** METRIC PRO-E  
POWER SYSTEMS, KOHLER, WI 53044 U.S.A.  
THIS DRAWING IN DESIGN AND DETAIL IS KOHLER CO. PROPERTY AND MUST NOT BE USED EXCEPT IN CONNECTION WITH KOHLER CO. WORK. ALL RIGHTS OF DESIGN OR INVENTION ARE RESERVED.

TITLE: DIMENSION PRINT

SCALE: NONE CAD NO. SHEET 2 of 2  
DWG NO. ADV-8588 D