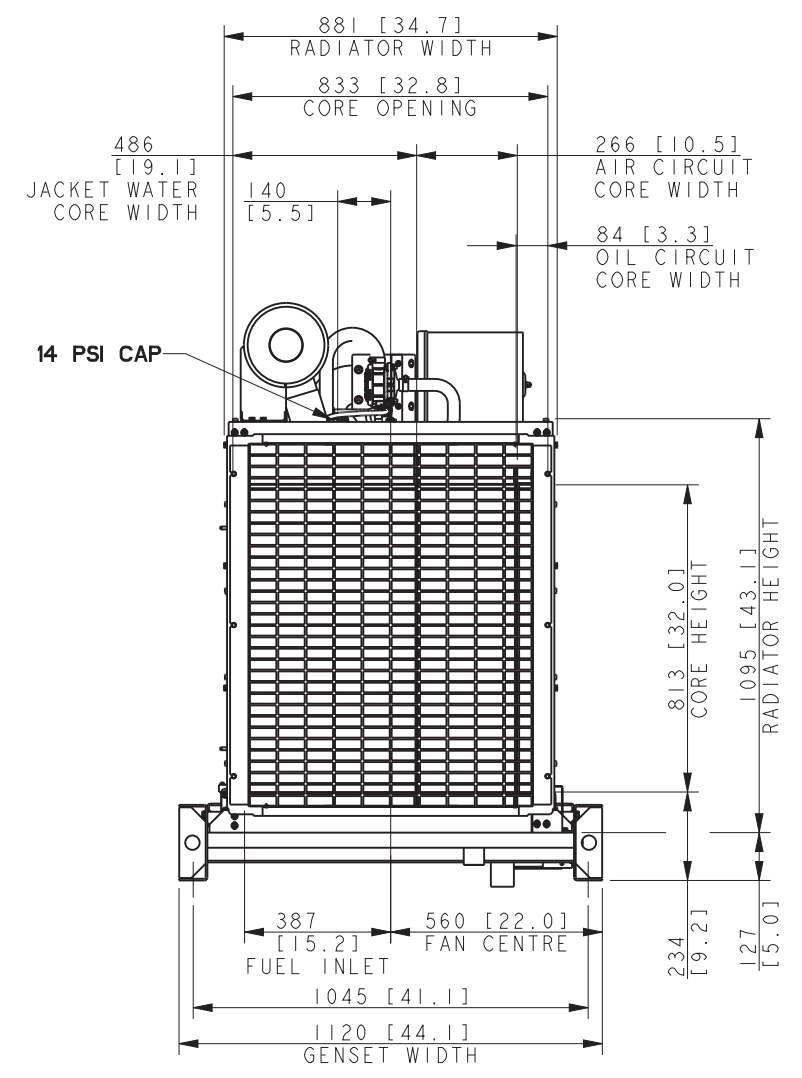
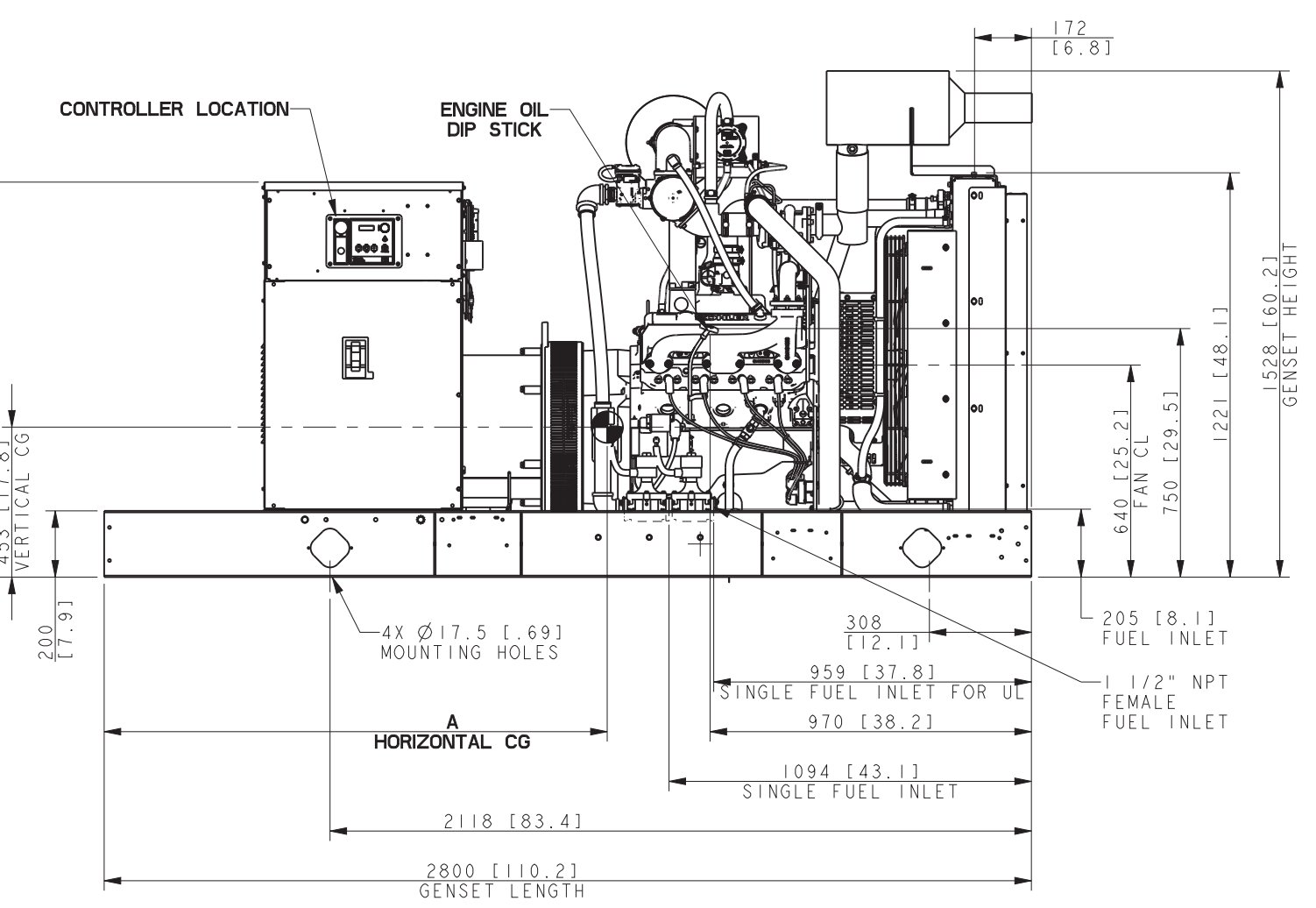


	HORIZONTAL CG A (MM)
KG100	1556 [61.3]
KG125	1519 [59.8]

MODEL	ALTERNATOR	WEIGHT (WET)	
		KG	LBS
KG100	4R9X, 4R9X 600V	1072	2364
KG100/KG125	4R12X, 4R12X 600V	1140	2514
KG100/KG125	4T13X	1207	2660
KG125	4R13X, 4R13X 600V	1207	2660



- NOTES:
- DIMENSIONS IN [ ] ARE ENGLISH STANDARD EQUIVALENTS
  - IF ENCLOSURE IS USED REFER TO ENCLOSURE ADV
  - IF IBC CERTIFICATION IS REQUIRED SEE SEISMIC ADV FOR INSTALLATION INSTRUCTIONS.

NOTE: OIL DRAIN IS AT LEFT SIDE OF GENSET

REV	DATE	ON COMPOSITE DWGS. SEE PART NO. FOR REVISION LEVEL	BY	DO NOT SCALE. REFERENCE THE MODEL FOR ALL UNSPECIFIED DIMENSIONS
-	10-23-18	NEW DRAWING [CT191152]	ADP	<small>UNLESS OTHERWISE SPECIFIED:            ALL DIMENSIONS IN MILLIMETERS            GENERAL TOLERANCES:            X.XX ± 0.2            X.X ± 0.5            X ± 1.5            ANGLES ± 0°30' MAX.            THIRD ANGLE PROJECTION</small>
A	1-17-19	(A-7) MOUNTING POINT DIMENSION REMOVED [CT193090]	AWK	
B	15MAY2019	(C/D-6/7) MODIFIED FUEL INLET LOCATIONS; (A-7) 4X Ø17.5 [1.69] MOUNTING HOLES WAS 6X; (A-5) ADDED 'FEMALE' TO FUEL INLET NOTE [CT195808]	AWK	

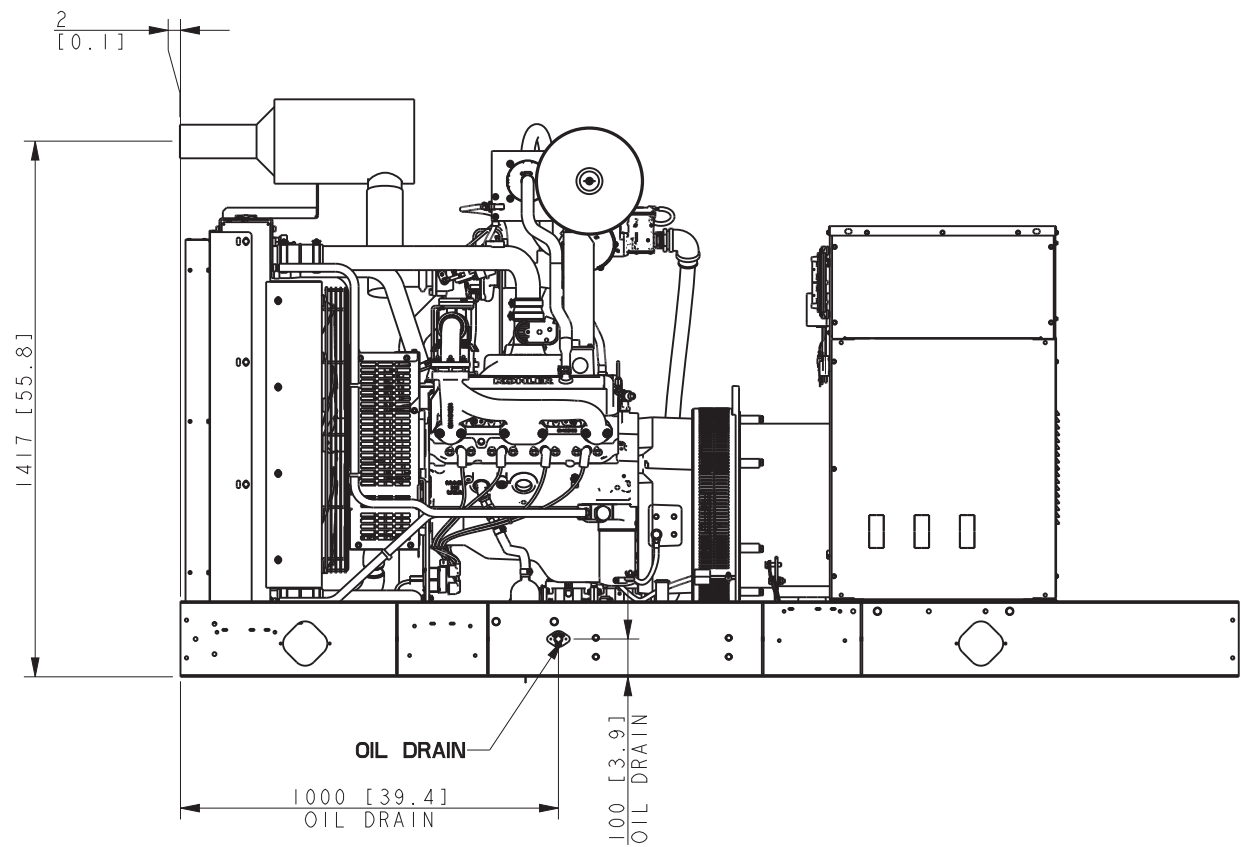
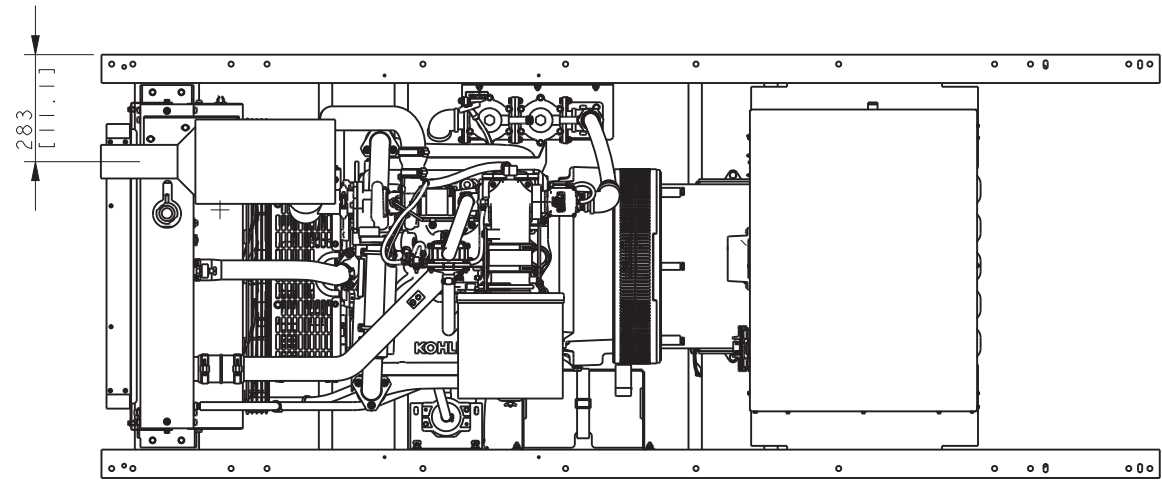
  

APPROVALS	DATE
DRAWN ADP	10-23-18
CHECKED DJV	10-23-18
APPROVED PBT	10-23-18

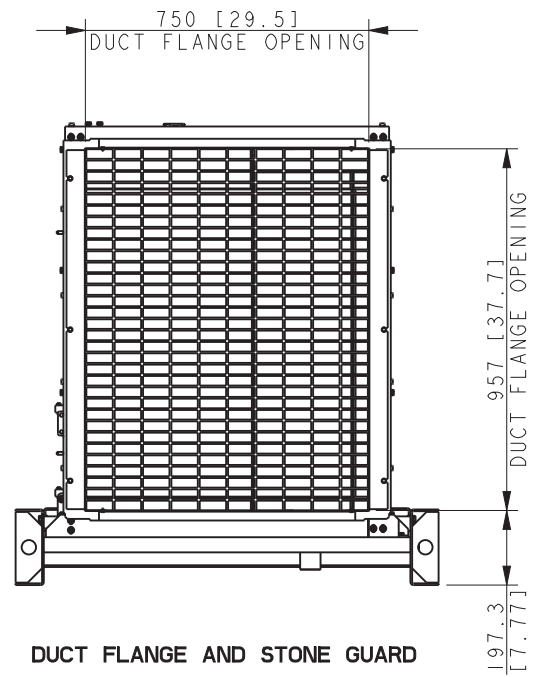
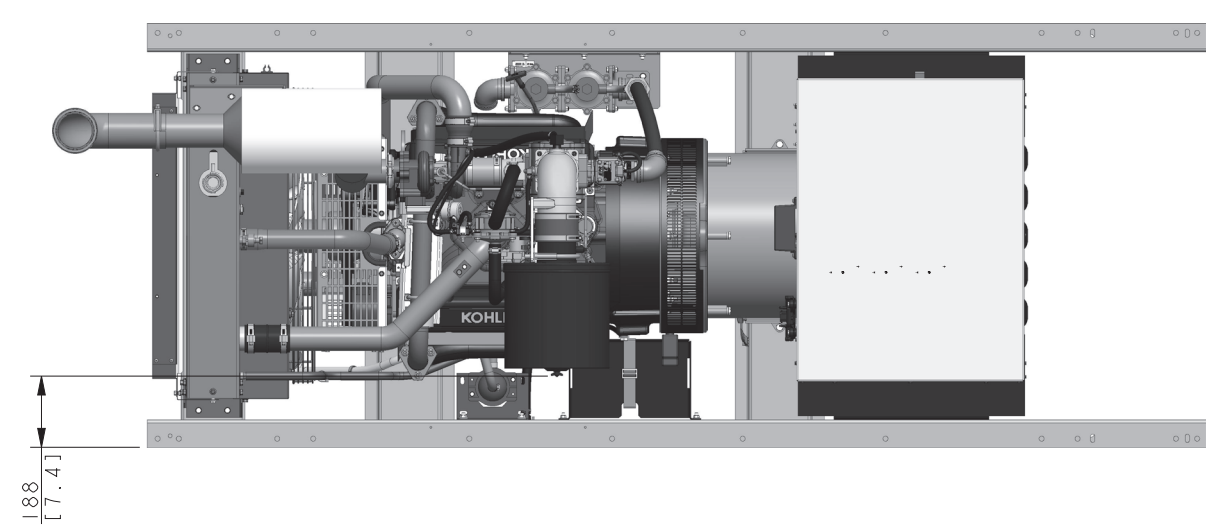
  

SCALE 0.10	CAD NO.	SHEET 1 of 3
------------	---------	--------------

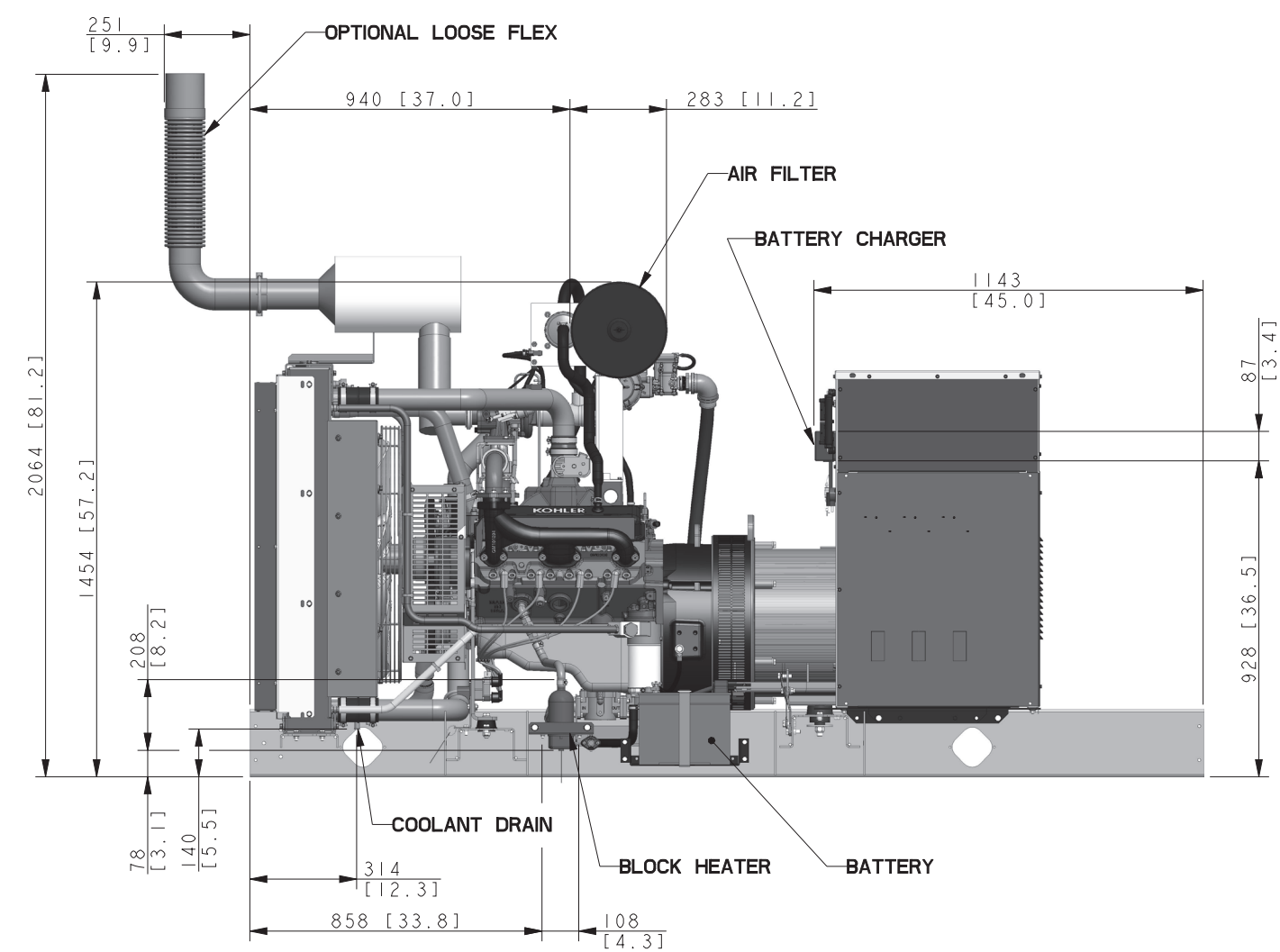
**KOHLER**  
 KOHLER, WISCONSIN 53044  
 THIS DRAWING IN DESIGN AND DETAIL IS KOHLER CO. PROPERTY AND MUST NOT BE USED EXCEPT IN CONNECTION WITH KOHLER CO. WORK. ALL RIGHTS OF DESIGN OR INVENTION ARE RESERVED.  
**TITLE**  
 DIMENSION PRINT, KG100/125 6.2L TURBO  
**ADV-9080**



REV	DATE	ON COMPOSITE DWGS. SEE PART NO. FOR REVISION LEVEL	BY	DO NOT SCALE. REFERENCE THE MODEL FOR ALL UNSPECIFIED DIMENSIONS								
-	10-23-18	NEW DRAWING [CT191152]	ADP	<p>UNLESS OTHERWISE SPECIFIED:          ALL DIMENSIONS IN MILLIMETERS          GENERAL TOLERANCES:          X.XX ± 0.2          X.X ± 0.5          ANGLES ± 0°30' MAX.</p> <p>THIRD ANGLE PROJECTION</p>								
A	2-7-19	SEE SHEET 1 [CT193090]	AWK									
B	15MAY2019	SEE SHEET 1 & 3 [CT195808]	AWK									
<p>APPROVALS</p> <table border="1"> <tr> <th>DATE</th> <th>DATE</th> </tr> <tr> <td>ADP</td> <td>10-23-18</td> </tr> <tr> <td>DJV</td> <td>10-23-18</td> </tr> <tr> <td>PBT</td> <td>10-23-18</td> </tr> </table>				DATE	DATE	ADP	10-23-18	DJV	10-23-18	PBT	10-23-18	<p><b>KOHLER.</b>          KOHLER, WISCONSIN 53044</p> <p>THIS DRAWING IN DESIGN AND DETAIL IS KOHLER CO. PROPERTY AND MUST NOT BE USED EXCEPT IN CONNECTION WITH KOHLER CO. WORK. ALL RIGHTS OF DESIGN OR INVENTION ARE RESERVED.</p> <p>TITLE  <b>DIMENSION PRINT, KG100/125 6.2L TURBO</b></p> <p>SCALE 0.10 CAD NO. SHEET 2 of 3          DWG NO. <b>ADV-9080</b></p>
DATE	DATE											
ADP	10-23-18											
DJV	10-23-18											
PBT	10-23-18											

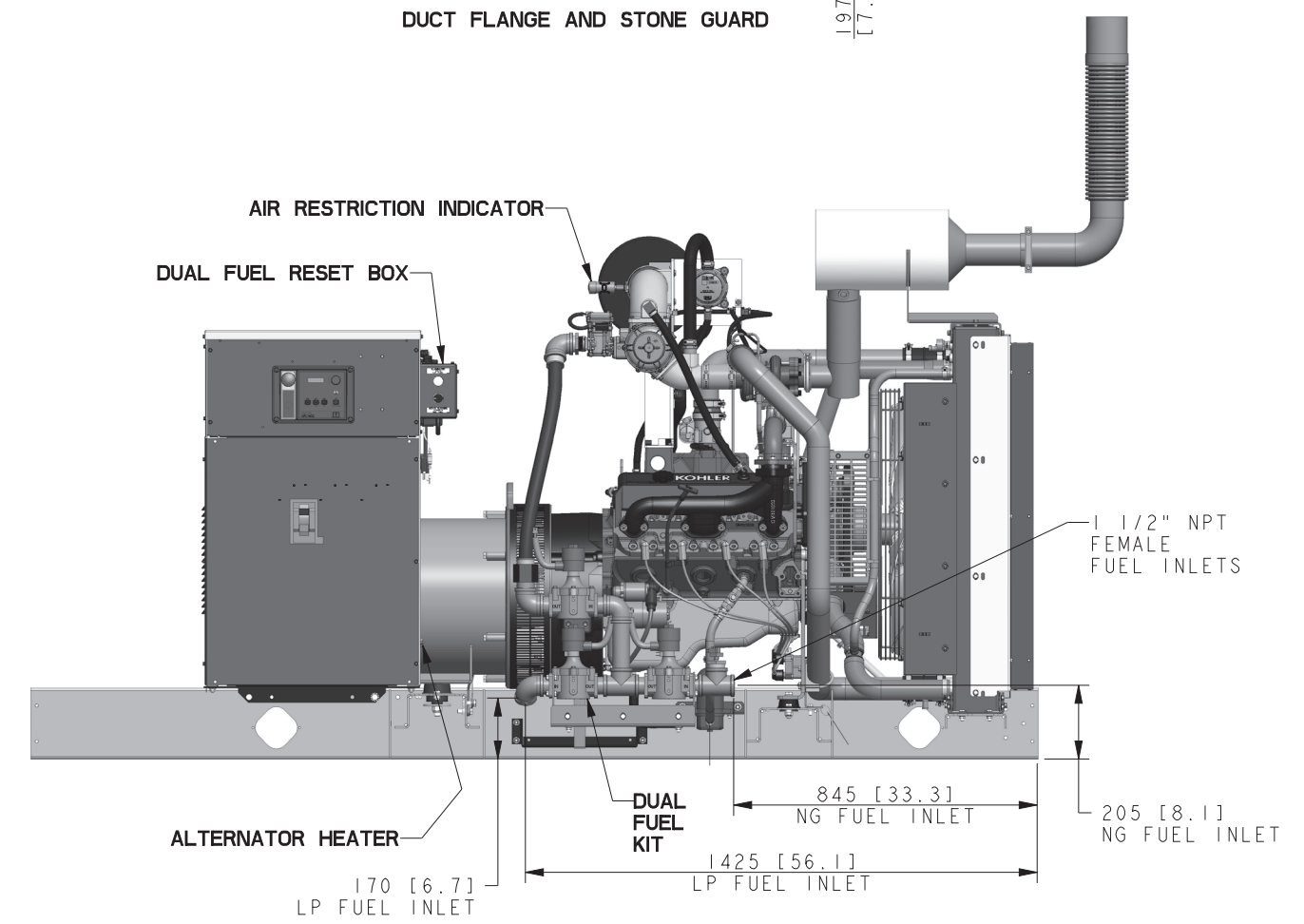


DUCT FLANGE AND STONE GUARD



BLOCK HEATER, AIR FILTER & BATTERY CHARGER (LEFT SIDE OF GENSET)

NOTE: LEFT SIDE SKID MEMBER HIDDEN TO SHOW BLOCK HEATER



DUAL FUEL, RESET BOX & AIR RESTRICTION INDICATOR (RIGHT SIDE OF GENSET)

NOTE: RIGHT SIDE SKID MEMBER HIDDEN TO SHOW DUAL FUEL KIT

REV	DATE	ON COMPOSITE DWGS, SEE PART NO. FOR REVISION LEVEL	BY	DO NOT SCALE. REFERENCE THE MODEL FOR ALL UNSPECIFIED DIMENSIONS								
-	10-23-18	NEW DRAWING [CT191152]	ADP	<small>UNLESS OTHERWISE SPECIFIED:            ALL DIMENSIONS IN MILLIMETERS            GENERAL TOLERANCES:            X.XX ± 0.2 SURFACE FINISH            X.X ± 0.5            ANGLES ± 0°30" MAX</small>								
A	2-7-19	SEE SHEET 1 [CT193090]	AWK									
B	15MAY2019	FLEX EXHAUST KIT ADDED TO SHADED VIEWS [CT195808]	AWK									
<table border="1"> <thead> <tr> <th>APPROVALS</th> <th>DATE</th> </tr> </thead> <tbody> <tr> <td>ADP</td> <td>10-23-18</td> </tr> <tr> <td>DJV</td> <td>10-23-18</td> </tr> <tr> <td>PBT</td> <td>10-23-18</td> </tr> </tbody> </table>				APPROVALS	DATE	ADP	10-23-18	DJV	10-23-18	PBT	10-23-18	<b>KOHLER</b> KOHLER, WISCONSIN 53044 THIS DRAWING IN DESIGN AND DETAIL IS KOHLER CO. PROPERTY AND MUST NOT BE USED EXCEPT IN CONNECTION WITH KOHLER CO. WORK. ALL RIGHTS OF DESIGN OR INVENTION ARE RESERVED. <b>THIRD ANGLE PROJECTION</b> 
APPROVALS	DATE											
ADP	10-23-18											
DJV	10-23-18											
PBT	10-23-18											
DIMENSION PRINT, KG100/125 6.2L TURBO SCALE 0.10 CAD NO. SHEET 3 of 3 DWG NO. <b>ADV-9080</b>				<b>D</b>								