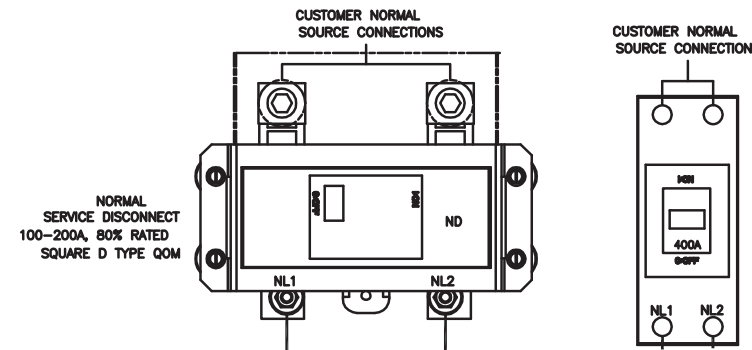
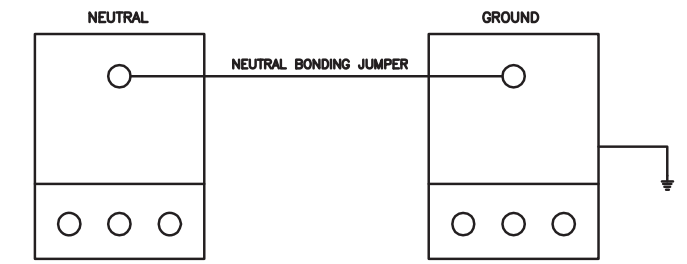
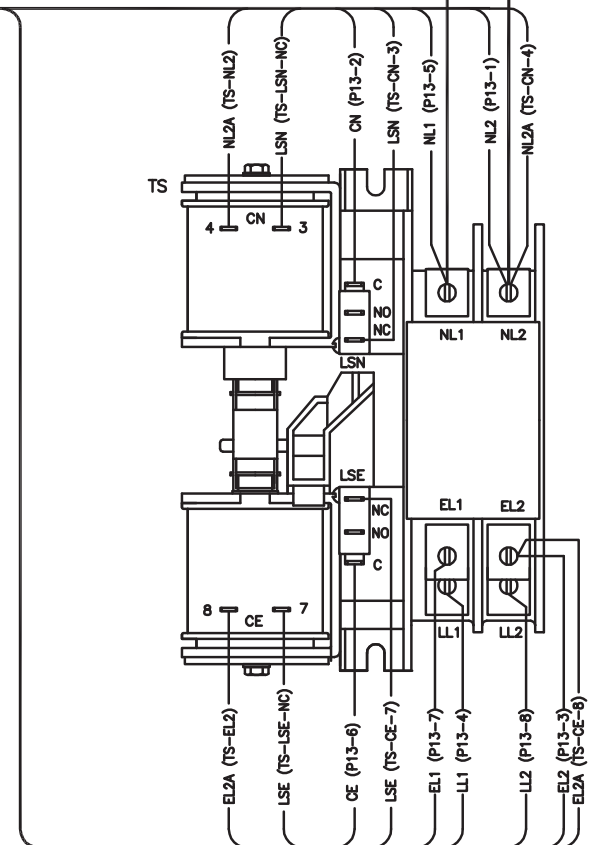
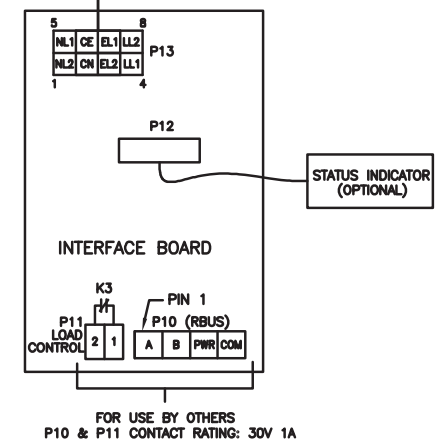


REV	DATE	REVISION	BY	APP
-	6-15-11	NEW DRAWING [80714-3]	CRS	



- LEGEND**
- CE - TRANSFER COIL (EMERGENCY)
 - CN - TRANSFER COIL (NORMAL)
 - LSN - POSITION SENSE SWITCH (NORMAL)
 - LSE - POSITION SENSE SWITCH (EMERGENCY)
 - P(#)- CONNECTOR
 - TS - TRANSFER SWITCH/CONTACTOR

- P13 CONNECTIONS**
- PIN #1 NL2 (TS-NL2)
 - 2 CN (TS-LSN-C)
 - 3 EL2 (TS-EL2)
 - 4 LL1 (TS-LL1)
 - 5 NL1 (TS-NL1)
 - 6 CE (TS-LSE-C)
 - 7 EL1 (TS-EL1)
 - 8 LL2 (TS-LL2)



MODEL RXT
SERVICE ENTRANCE
100-400A, 1Ø
FOR SCHEMATIC SEE GM80666

<p>KOHLER CO. POWER SYSTEMS, SYDNEY, NY 13154 U.S.A. THIS DRAWING IS DESIGN AND BEING A KOHLER CO. PROPERTY AND MAY NOT BE REPRODUCED OR COPIED WITHOUT KOHLER CO. WRITING. ALL RIGHTS OF DESIGN OR INVENTION ARE RESERVED.</p>	
<p>DIAGRAM, WIRING 100-400A RXT 1Ø</p>	
<p>APPROVALS</p> <p>CRS 6-15-11</p> <p>MTL 6-15-11</p> <p>MTL 6-15-11</p>	<p>DATE</p> <p>6-15-11</p> <p>6-15-11</p> <p>6-15-11</p>
<p>SCALE</p> <p>100%</p>	<p>PLOTTED</p> <p>1-1</p>
<p>REV. NO.</p> <p>GM80665</p>	<p>D</p>