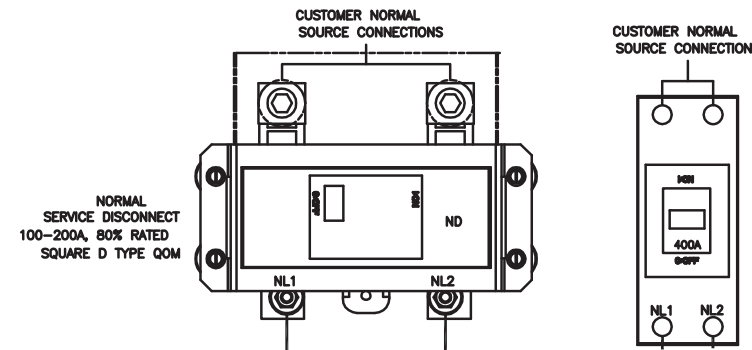


REV	DATE	REVISION	BY	APP
-	6-15-11	NEW DRAWING [80714-3]	CRS	



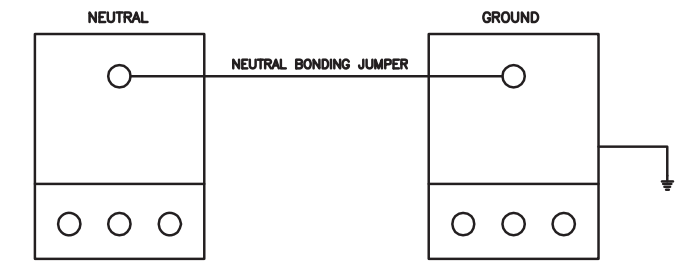
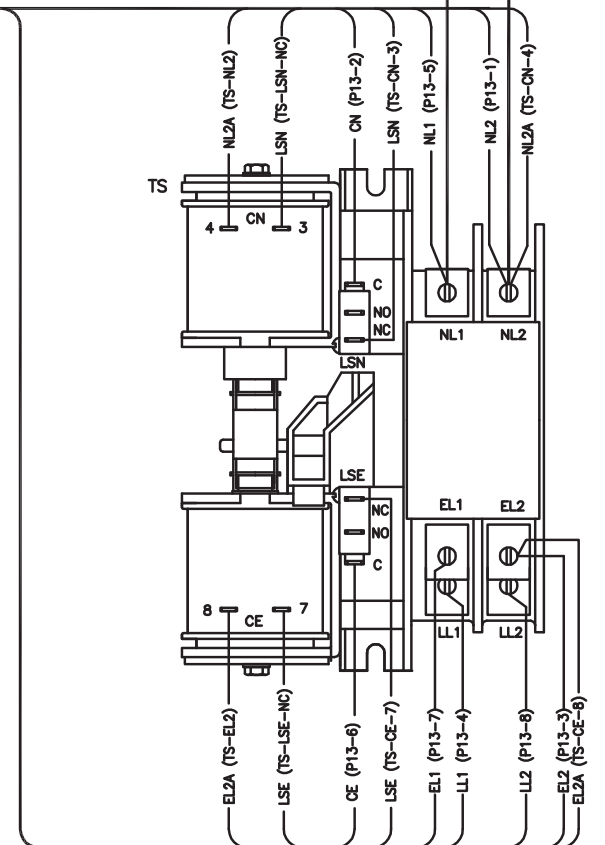
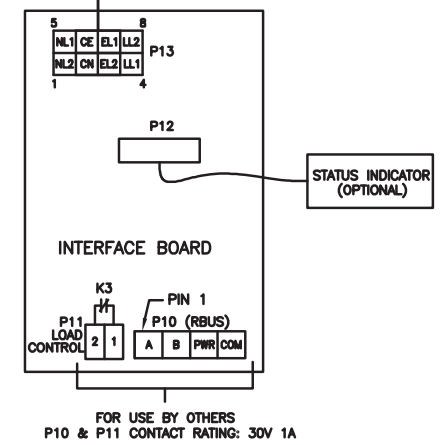
NORMAL SERVICE DISCONNECT
400A, THERMAL MAGNETIC
80% RATED
SIEMENS NJ2B400K

LEGEND

- CE - TRANSFER COIL (EMERGENCY)
- CN - TRANSFER COIL (NORMAL)
- LSN - POSITION SENSE SWITCH (NORMAL)
- LSE - POSITION SENSE SWITCH (EMERGENCY)
- P(#)- CONNECTOR
- TS - TRANSFER SWITCH/CONTACTOR

P13 CONNECTIONS

- PIN #1 NL2 (TS-NL2)
- 2 CN (TS-LSN-C)
- 3 EL2 (TS-EL2)
- 4 LL1 (TS-LL1)
- 5 NL1 (TS-NL1)
- 6 CE (TS-LSE-C)
- 7 EL1 (TS-EL1)
- 8 LL2 (TS-LL2)



MODEL RXT
SERVICE ENTRANCE
100-400A, 1Ø
FOR SCHEMATIC SEE GM80666

APPROVALS	DATE
CRS	6-15-11
MTL	6-15-11
MTL	6-15-11

KOHLER CO.
POWER SYSTEMS, TROY, MI 48064 U.S.A.
THIS DRAWING IS DESIGN AND BEING A KOHLER CO. PROPERTY AND
MAY NOT BE REPRODUCED OR COPIED WITHOUT KOHLER CO. WRITING.
ALL RIGHTS OF DESIGN OR INVENTION ARE RESERVED.

DIAGRAM, WIRING
100-400A RXT 1Ø

SCALE: 100%
SHEET NO. 1-1
REV. NO. GM80665