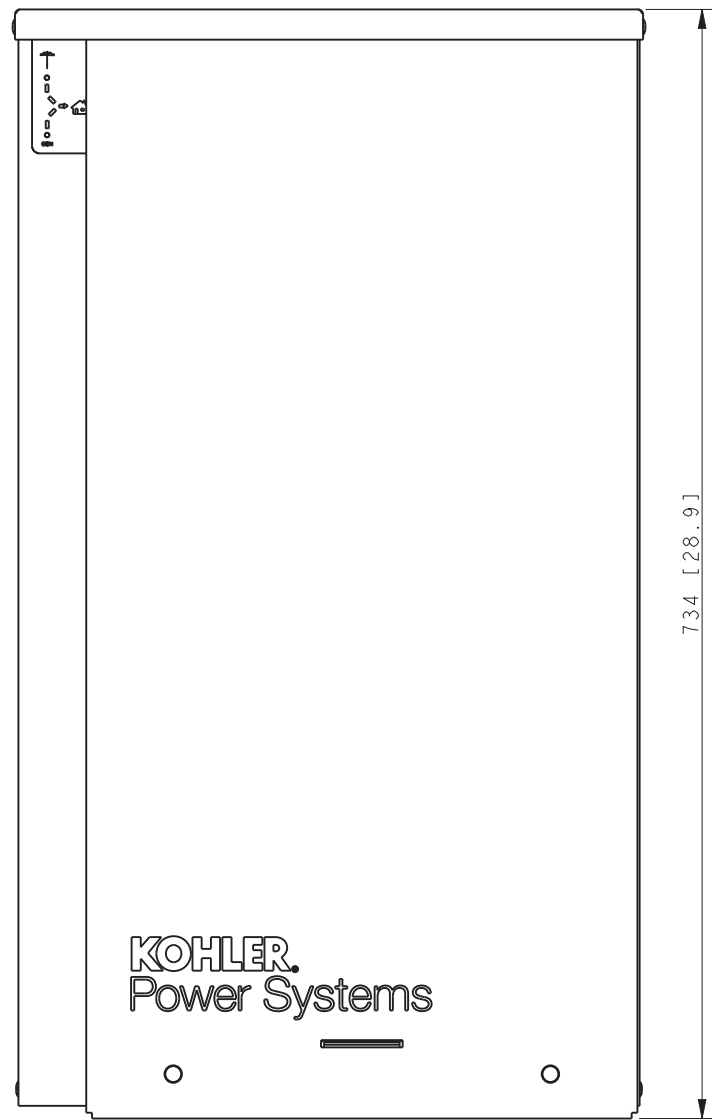
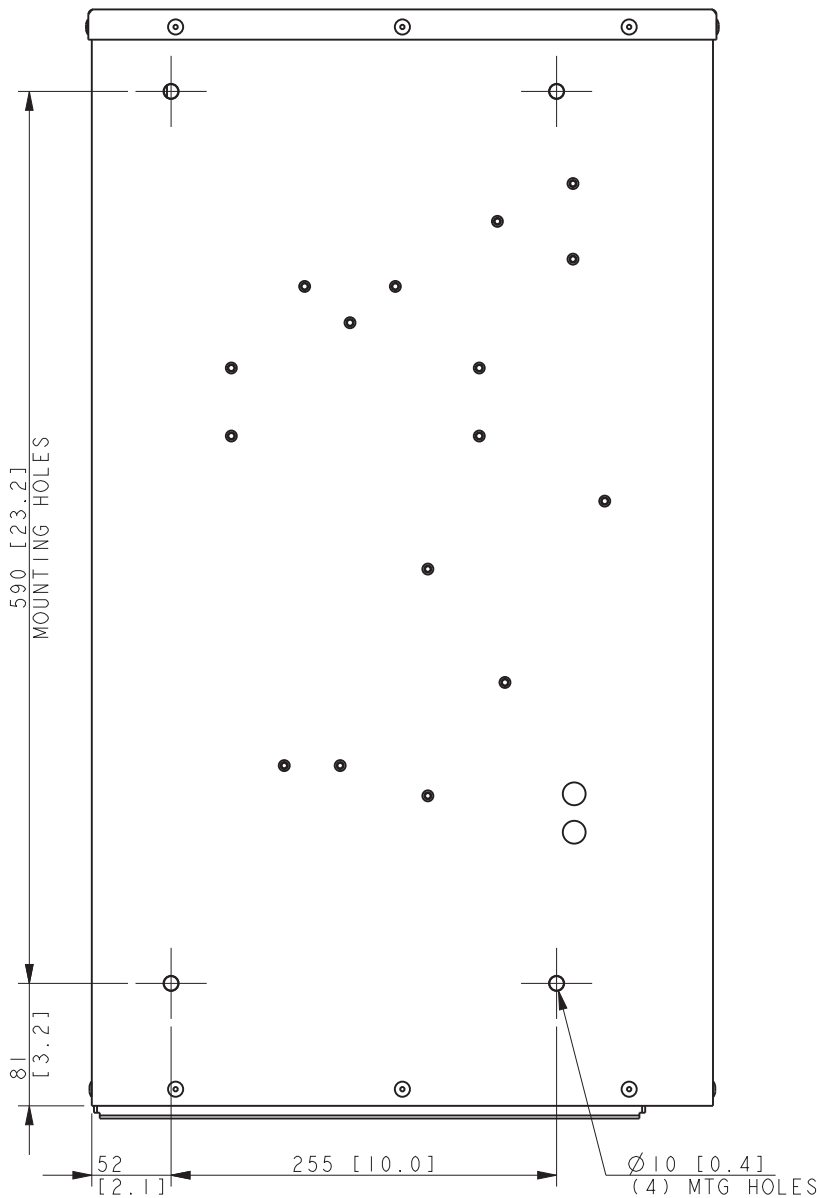


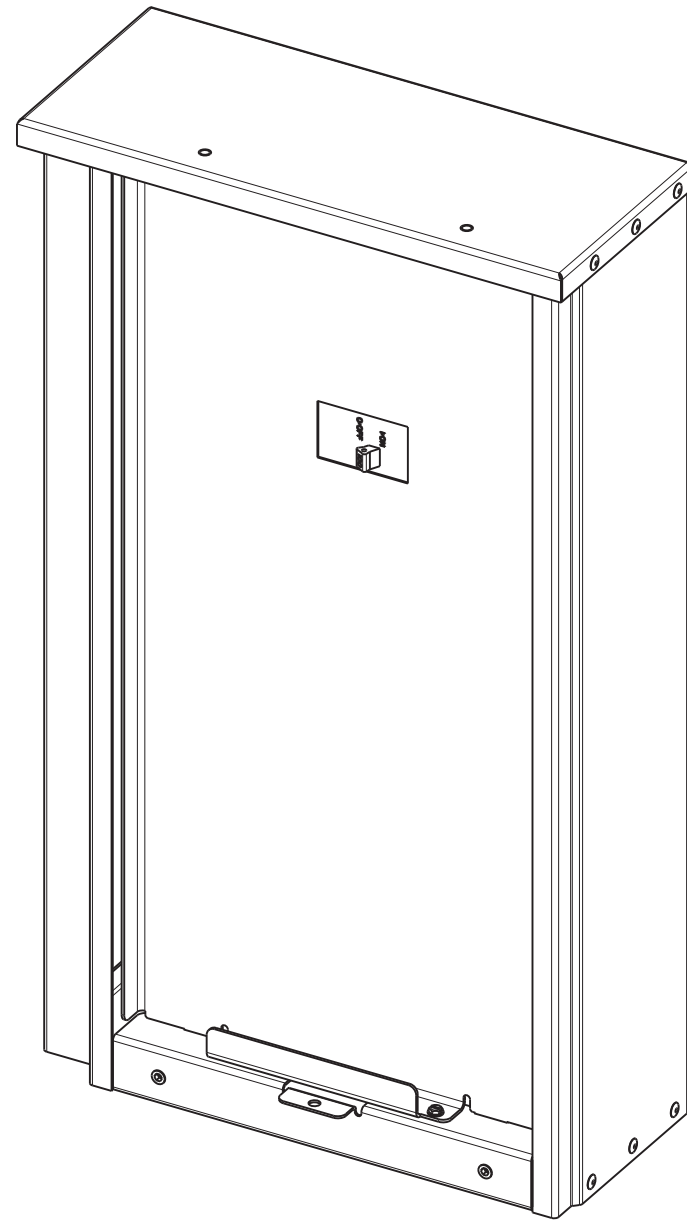
TOP VIEW



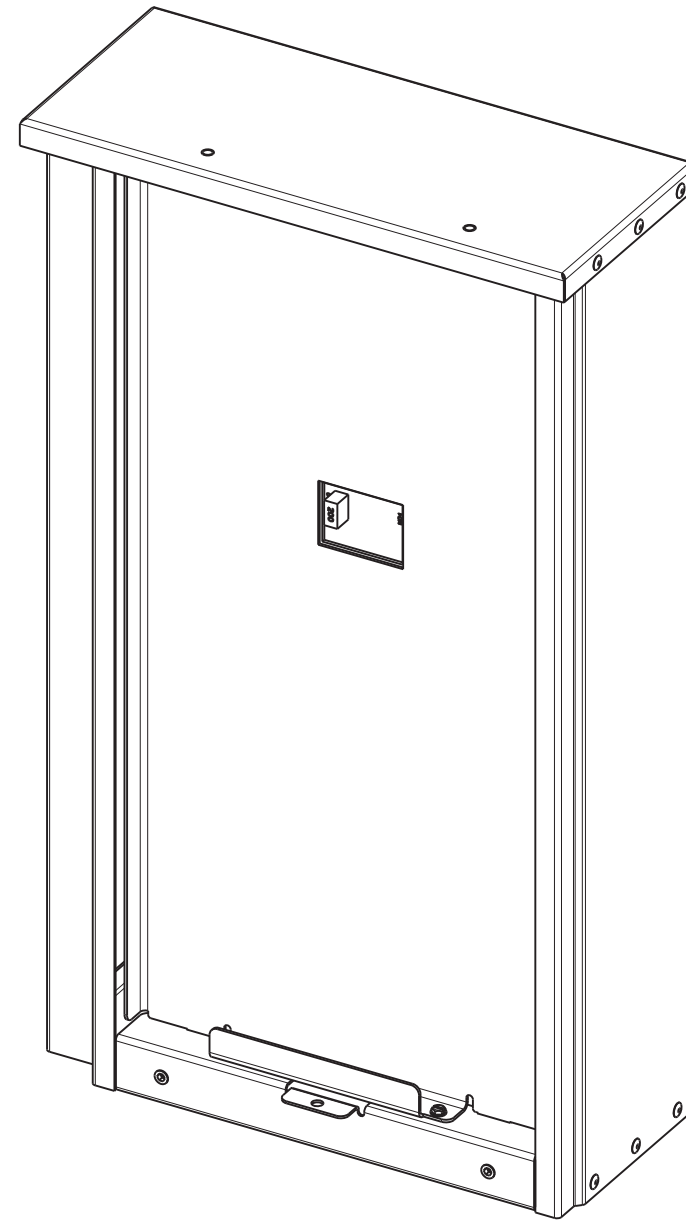
FRONT VIEW



BACK VIEW



100A
COVER NOT SHOWN



150-200A SHOWN
COVER NOT SHOWN

DIMENSION IN [] ARE INCHES.
 FINISH: ANSI 49 GRAY
 REFER TO OPERATOR'S MANUAL PRIOR TO
 INSTALLATION AND OPERATION OF UNIT.
 100 AMP APPROXIMATE WEIGHT 10 Kg (22 LBS.)
 150-200 AMP APPROXIMATE WEIGHT 12 Kg (26 LBS.)

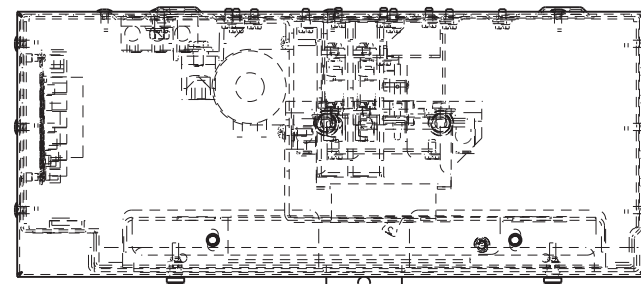
100-200A
 MODEL RXT
 SERVICE ENTRANCE
 TYPE 3R ENCLOSURE

REV	DATE	ON COMPOSITE DWGS. SEE PART NO. FOR REVISION LEVEL	BY
-	4-4-14	NEW DRAWING [CT88602]	BTW
UNLESS OTHERWISE SPECIFIED - 1) DIMENSIONS ARE IN MILLIMETERS 2) TOLERANCES ARE: X.XX ± 0.25 X.X ± 1.0 X ± 1.5 ANGLES ± 0° 30'			
THIRD ANGLE PROJECTION			
APPROVALS		DATE	
DRAWN BTW		4-4-14	
CHECKED BTW		4-4-14	
APPROVED MTL		4-4-14	

KOHLER CO. METRIC PRO-E
 POWER SYSTEMS, KOHLER, WI 53044 U.S.A.
 THIS DRAWING IN DESIGN AND DETAIL IS KOHLER CO.
 PROPERTY AND MUST NOT BE USED EXCEPT IN
 CONNECTION WITH KOHLER CO. WORK. ALL RIGHTS OF
 DESIGN OR INVENTION ARE RESERVED.

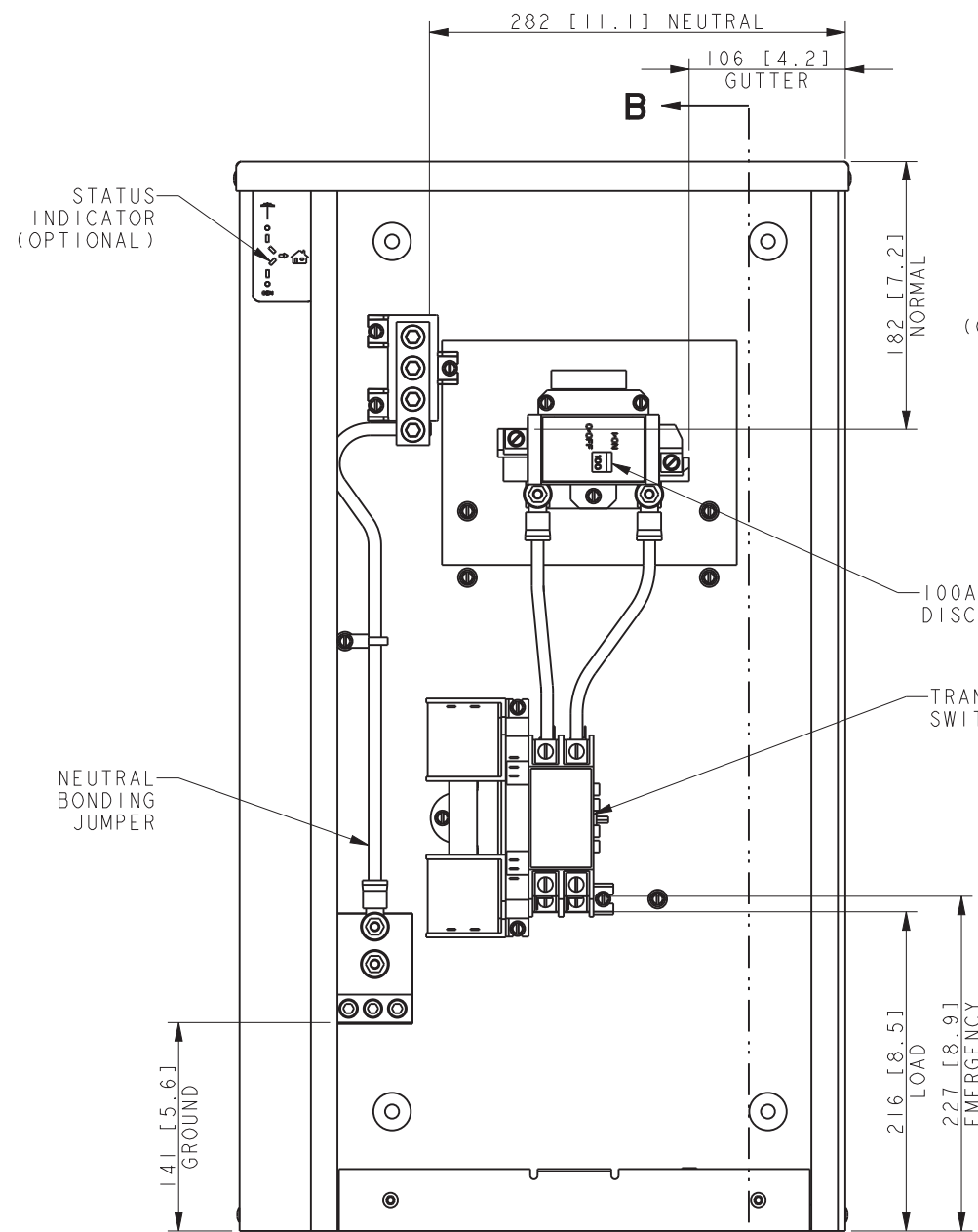
TITLE
DIMENSION PRINT, 100-200A, SE

SCALE 0.40 CAD NO. SHEET 1 of 3
 DWG NO. **ADV-8687** **D**



PADLOCK HASP

SCREW TYPE TERMINALS FOR EXTERNAL POWER CONNECTION				
SWITCH RATING (AMPS)	RANGE OF AL-CU WIRE SIZES			
	NORMAL (PER PHASE)	EMERGENCY / LOAD (PER PHASE)	NEUTRAL	GROUND
100	(1) #12-2/0 AWG	(1) #14-1/0 AWG	(3) #12-250 KCMIL (Cu) OR (3) #10-250 KCMIL (Al)	(3) #14-1/0 AWG
150-200	(1) #4-300 KCMIL	(1) #6-250 KCMIL	(3) #12-250 KCMIL (Cu) OR (3) #10-250 KCMIL (Al)	(3) #14-1/0 AWG



STATUS INDICATOR (OPTIONAL)

NEUTRAL BONDING JUMPER

PCB, ATS INTERFACE (OPTIONAL LOAD SHED BOARD SHOWN)

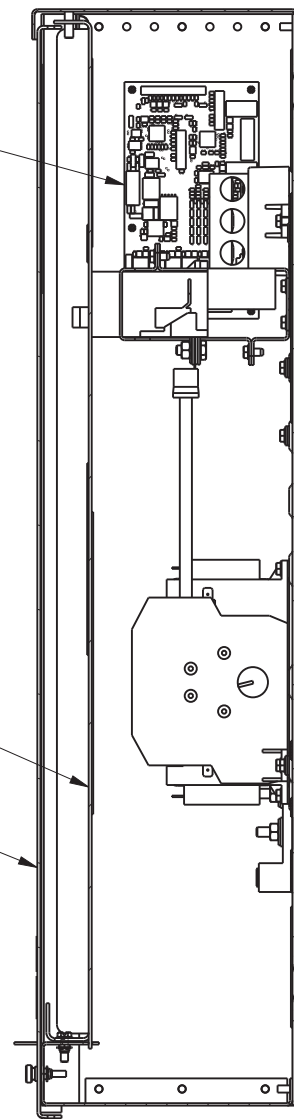
100A UTILITY DISCONNECT

TRANSFER SWITCH

INNER PANEL

OUTER COVER

100A INNER PANEL & COVER REMOVED TO SHOW DETAIL



SECTION B-B

REV	DATE	ON COMPOSITE DWGS. SEE PART NO. FOR REVISION LEVEL	BY
-	4-4-14	NEW DRAWING [CT88602]	BTW

UNLESS OTHERWISE SPECIFIED -
 1) DIMENSIONS ARE IN MILLIMETERS
 2) TOLERANCES ARE:
 X.XX ± 0.25
 X.X ± 1.0
 X ± 1.5
 ANGLES ± 0° 30' MAX.

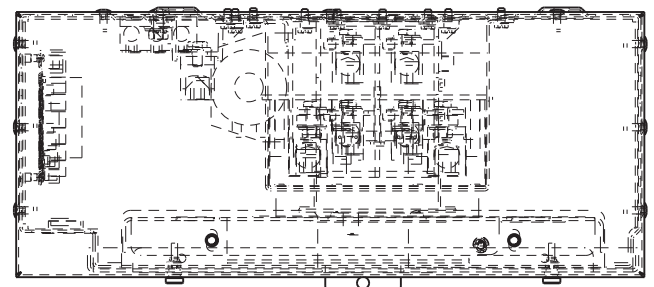
THIRD ANGLE PROJECTION

APPROVALS	DATE
BTW	4-4-14
BTW	4-4-14
MTL	4-4-14

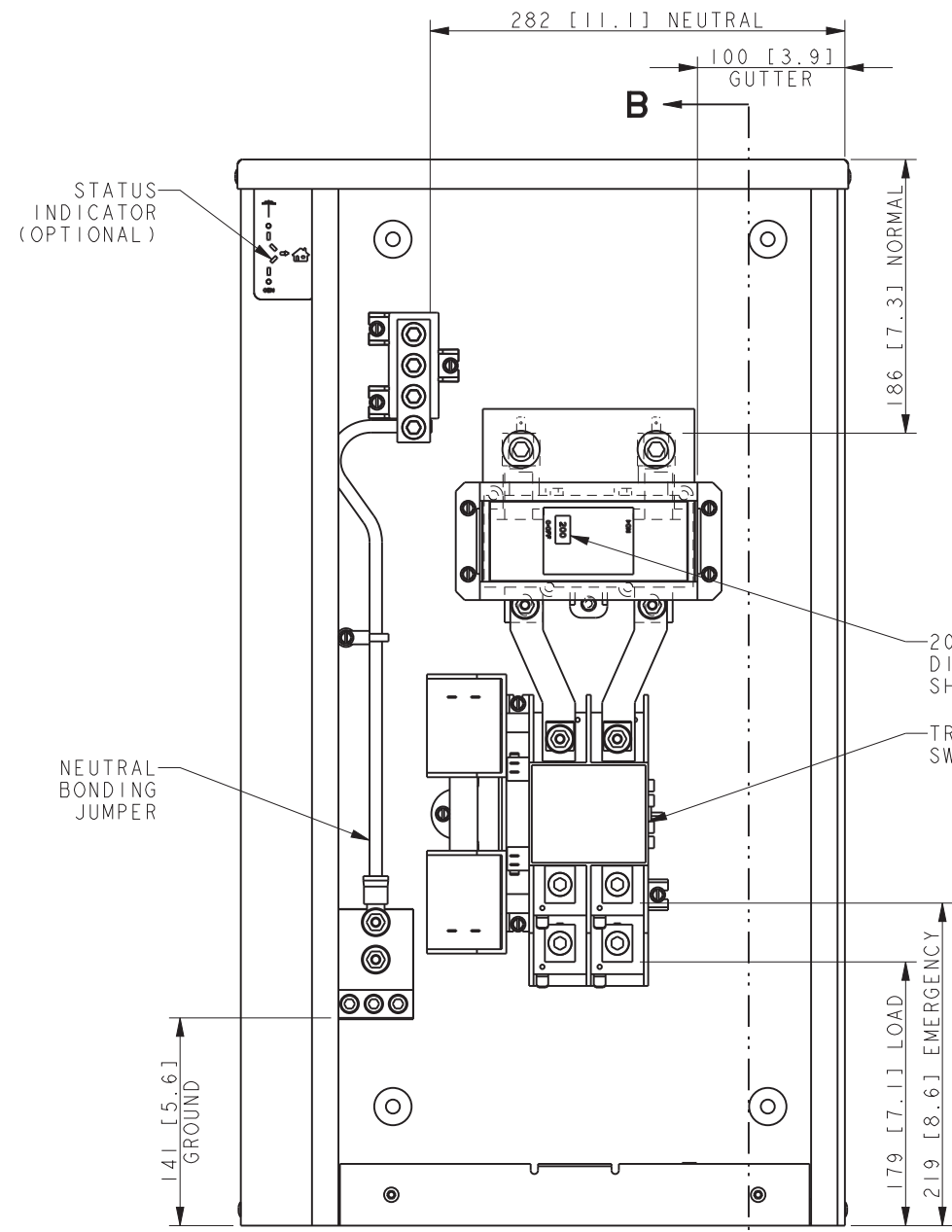
KOHLER CO. METRIC PRO-E
 POWER SYSTEMS, KOHLER, WI 53044 U.S.A.
 THIS DRAWING IN DESIGN AND DETAIL IS KOHLER CO. PROPERTY AND MUST NOT BE USED EXCEPT IN CONNECTION WITH KOHLER CO. WORK. ALL RIGHTS OF DESIGN OR INVENTION ARE RESERVED.

TITLE: **DIMENSION PRINT, 100-200A, SE**

SCALE 0.40 CAD NO. SHEET 2 of 3
 DWG NO. **ADV-8687**



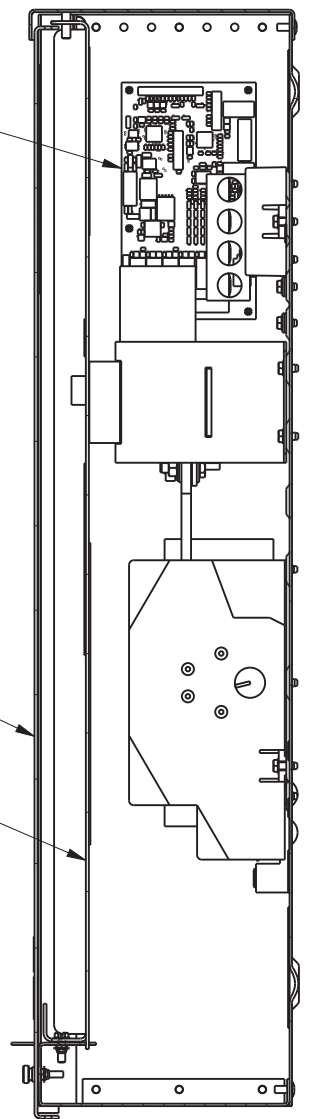
PADLOCK HASP



150-200A
INNER PANEL &
COVER REMOVED TO SHOW DETAIL

PCB, ATS
INTERFACE
(OPTIONAL LOAD SHED
BOARD SHOWN)

OUTER
COVER
INNER
PANEL



SECTION B-B

REV	DATE	ON COMPOSITE DWGS. SEE PART NO. FOR REVISION LEVEL	BY
-	4-4-14	NEW DRAWING [CT88602]	BTW

UNLESS OTHERWISE SPECIFIED -
1) DIMENSIONS ARE IN MILLIMETERS
2) TOLERANCES ARE:
X.XX ± 0.25
X.X ± 1.0
X ± 1.5
ANGLES ± 0° 30' MAX.
THIRD ANGLE PROJECTION

APPROVALS	DATE
DRAWN BTW	4-4-14
CHECKED BTW	4-4-14
APPROVED MTL	4-4-14

KOHLER CO. METRIC PRO-E
POWER SYSTEMS, KOHLER, WI 53044 U.S.A.
THIS DRAWING IN DESIGN AND DETAIL IS KOHLER CO. PROPERTY AND MUST NOT BE USED EXCEPT IN CONNECTION WITH KOHLER CO. WORK. ALL RIGHTS OF DESIGN OR INVENTION ARE RESERVED.

TITLE
DIMENSION PRINT, 100-200A, SE

SCALE 0.40 CAD NO. SHEET 3 of 3
DWG NO. **ADV-8687** D