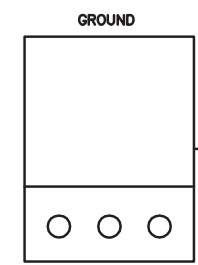
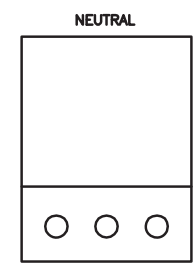
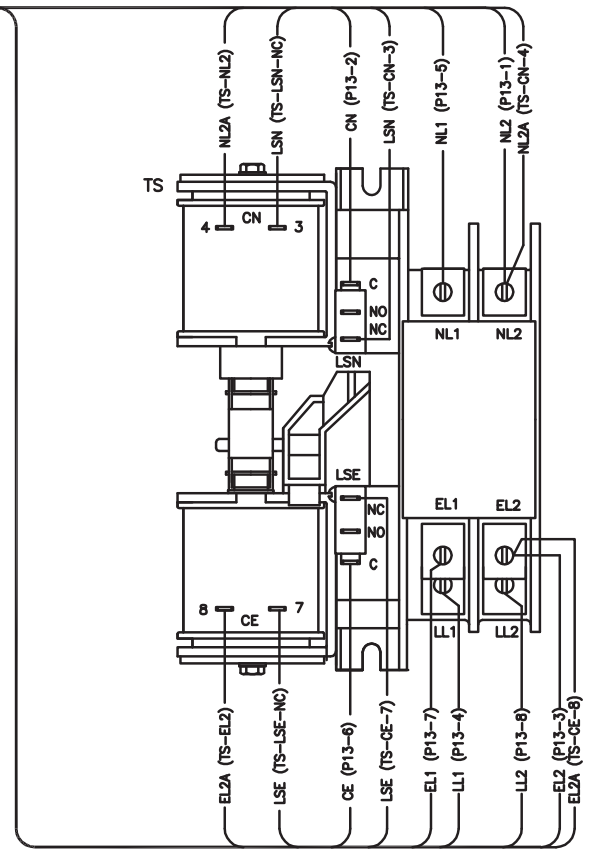
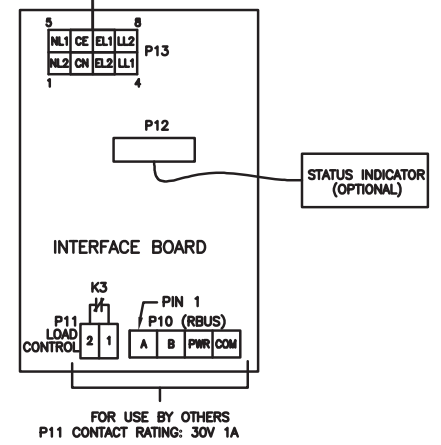


REV	DATE	REVISION	BY	APP
-	2-28-11	NEW DRAWING [90714-3]	CRS	

LEGEND
 CE - TRANSFER COIL (EMERGENCY)
 CN - TRANSFER COIL (NORMAL)
 LSN - POSITION SENSE SWITCH (NORMAL)
 LSE - POSITION SENSE SWITCH (EMERGENCY)
 P(#)- CONNECTOR
 TS - TRANSFER SWITCH/CONTACTOR

P13 CONNECTIONS
 PIN #1 NL2 (TS-NL2)
 2 CN (TS-LSN-C)
 3 EL2 (TS-EL2)
 4 LL1 (TS-LL1)
 5 NL1 (TS-NL1)
 6 CE (TS-LSE-C)
 7 EL1 (TS-EL1)
 8 LL2 (TS-LL2)



MODEL RXT
 100-400A, 1Ø
 FOR SCHEMATIC SEE GM80664

<small>UNLESS OTHERWISE SPECIFIED: 1) DIMENSIONS ARE IN INCHES 2) TOLERANCES ARE: FRACTIONS ± .005 DECIMALS ± .005 HOLE DIA ± .005 SURFACE FINISH: A ± .000 B ± .005 C ± .010 FRACTIONS ± .005</small>		KOHLER CO. <small>POWER SYSTEMS, STURIS, OH 44224 U.S.A. THIS DRAWING IS DESIGN AND BEING A KOHLER CO. PROPERTY AND MAY NOT BE REPRODUCED OR COPIED WITHOUT THE WRITTEN PERMISSION OF KOHLER CO.</small>	
DIAGRAM, WIRING 100-400A RXT 1Ø		SCALE: 100% SHEET: 1-1	DATE: 2-28-11 DRAWN: FCH CHECKED: MTL
APPROVALS: CRS 2-28-11 FCH 2-28-11 MTL 2-28-11		DATE: 2-28-11 DRAWN: FCH CHECKED: MTL	PART NO. GM80663