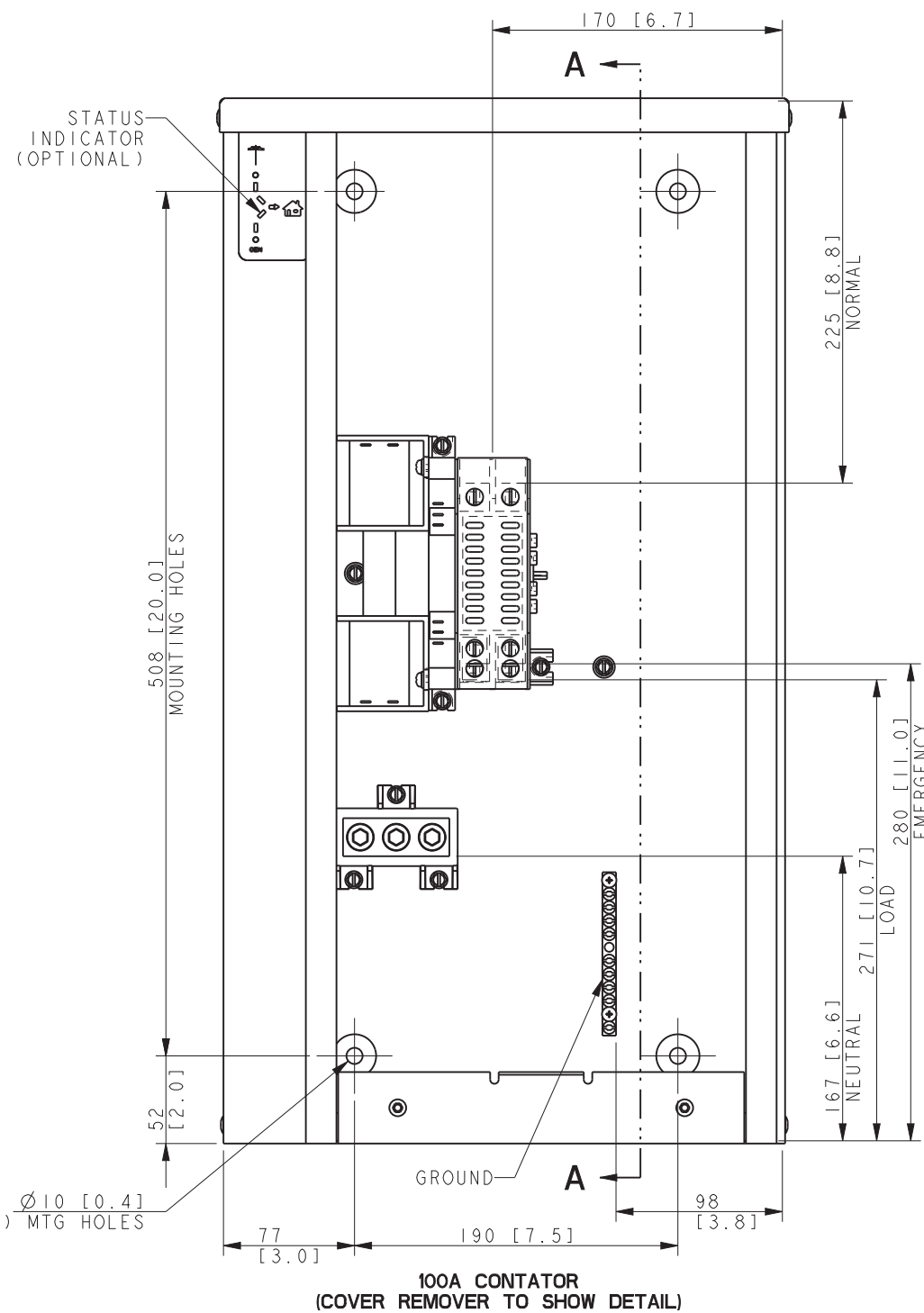
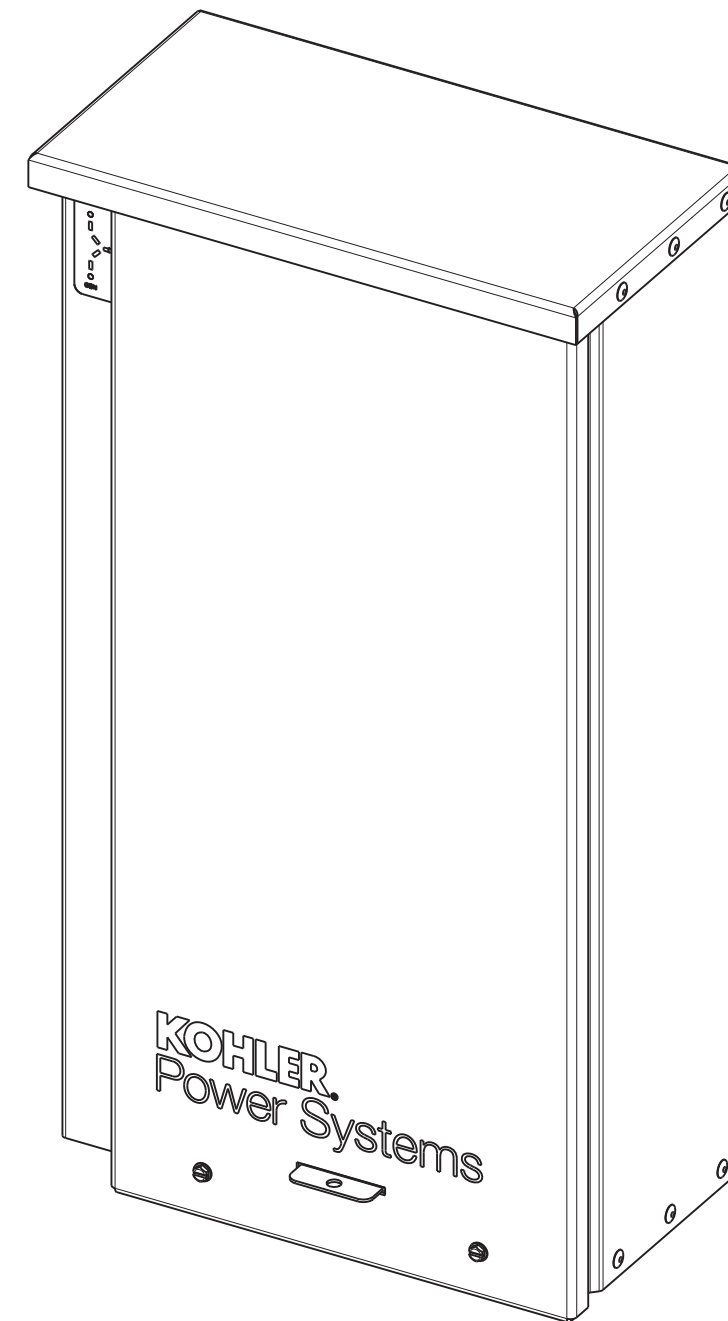
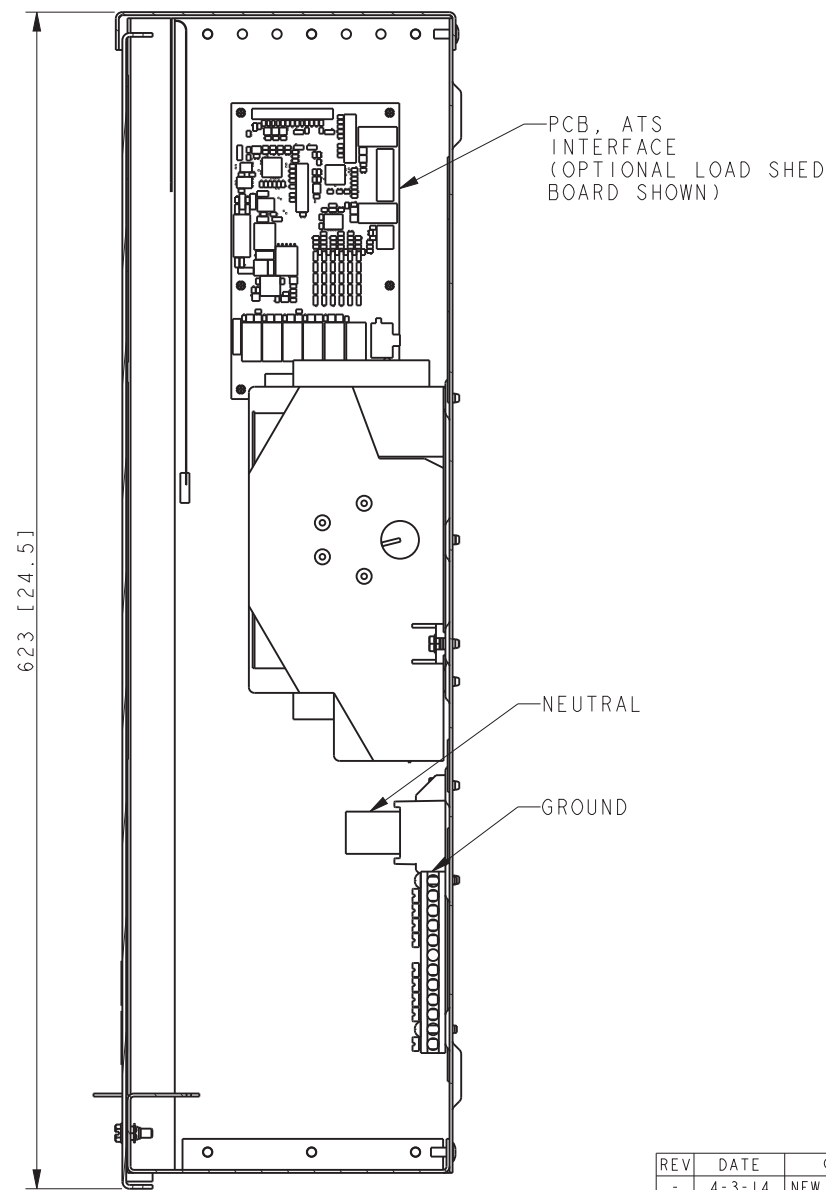


SCREW TYPE TERMINALS FOR EXTERNAL POWER CONNECTION			
SWITCH RATING (AMPS)	RANGE OF AL-CU WIRE SIZES		
	CONTACTOR (PER PHASE)	NEUTRAL	GROUND
100	(1) #14-1/0 AWG	(3) #12-250 KCMIL (Cu) OR (3) #10-250 KCMIL (Al)	(9) #14-#4 AWG
200	(1) #6-250 KCMIL	(3) #12-250 KCMIL (Cu) OR (3) #10-250 KCMIL (Al)	(9) #14-#4 AWG

SEE SHEET 2 FOR DIMENSIONS AND LOCATION OF 200A CONTACTOR.



100A CONTACTOR
(COVER REMOVER TO SHOW DETAIL)



SECTION A-A

MODEL RXT
100-200A
STANDARD TRANSITION
TYPE 3R ENCLOSURE

DIMENSION IN [] ARE INCHES.

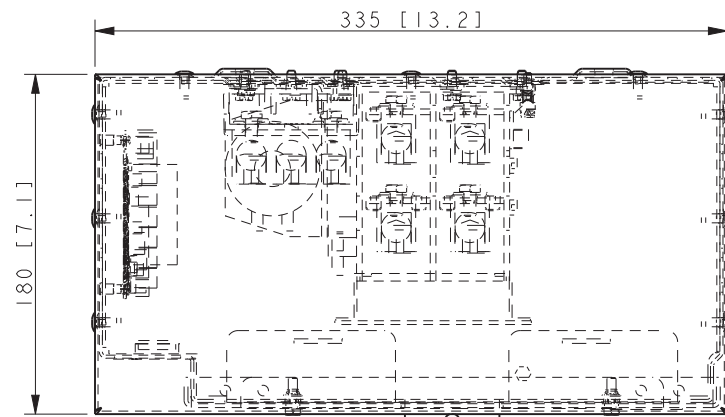
FINISH: ANSI 49 GRAY

REFER TO OPERATOR'S MANUAL PRIOR TO INSTALLATION AND OPERATION OF UNIT.

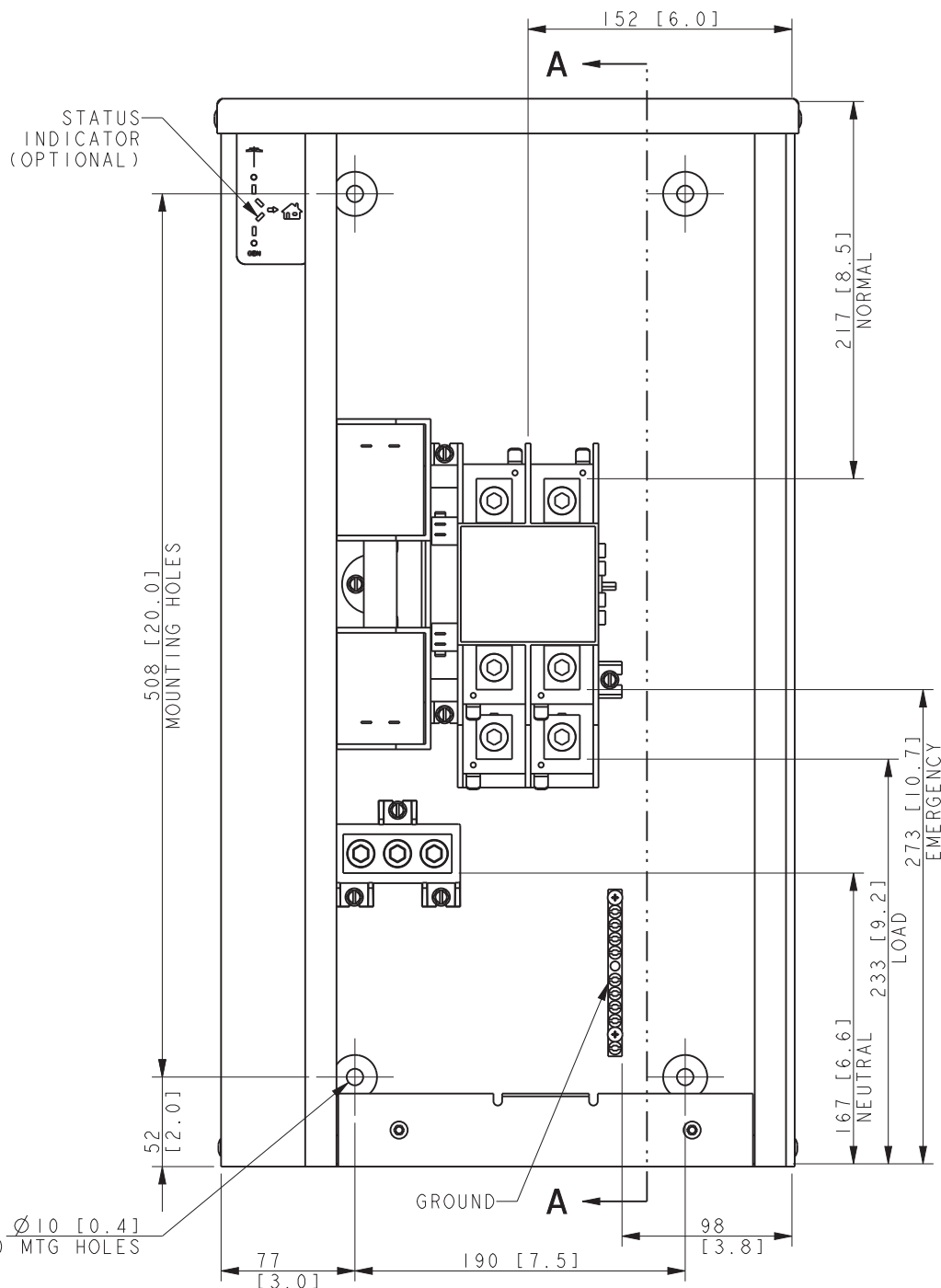
100 AMP APPROXIMATE WEIGHT 7 Kg (15 LBS.)

200 AMP APPROXIMATE WEIGHT 7 Kg (15 LBS.)

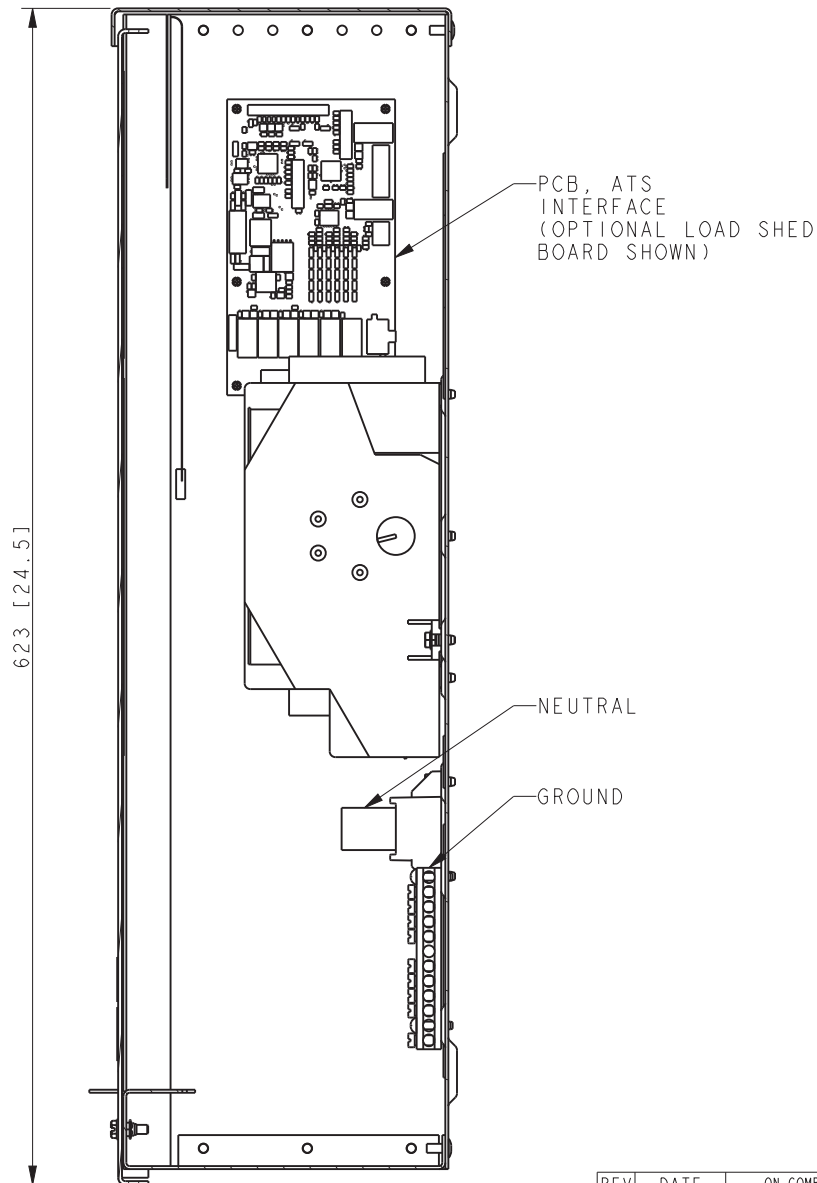
REV	DATE	ON COMPOSITE DWGS. SEE PART NO. FOR REVISION LEVEL	BY	UNLESS OTHERWISE SPECIFIED - 1) DIMENSIONS ARE IN MILLIMETERS 2) TOLERANCES ARE:	BY	DATE	TITLE
-	4-3-14	NEW DRAWING [CT88602]	BTW	X.XX ± 0.25 X.X ± 1.0 X ± 1.5 ANGLES ± 0° 30' MAX.	BTW	4-3-14	KOHLER CO. METRIC PRO-E POWER SYSTEMS, KOHLER, WI 53044 U.S.A. THIS DRAWING IN DESIGN AND DETAIL IS KOHLER CO. PROPERTY AND MUST NOT BE USED EXCEPT IN CONNECTION WITH KOHLER CO. WORK. ALL RIGHTS OF DESIGN OR INVENTION ARE RESERVED.
				THIRD ANGLE PROJECTION			DIMENSION PRINT 100-200 SINGLE PHASE
				APPROVALS			SCALE 0.50 CAD NO. SHEET 1 of 2
				DRAWN			DWG NO. ADV-8688
				CHECKED			
				APPROVED			



PADLOCK HASP



200A CONTACTOR
(COVER REMOVER TO SHOW DETAIL)



SECTION A-A

REV	DATE	ON COMPOSITE DWGS. SEE PART NO. FOR REVISION LEVEL	BY
-	4-3-14	NEW DRAWING [CT88602]	BTW

UNLESS OTHERWISE SPECIFIED -
1) DIMENSIONS ARE IN MILLIMETERS
2) TOLERANCES ARE:
X.XX ± 0.25
X.X ± 1.0
X ± 1.5
ANGLES ± 0° 30' MAX.

THIRD ANGLE PROJECTION

APPROVALS	DATE
DRAWN BTW	4-3-14
CHECKED BTW	4-3-14
APPROVED MTL	4-3-14

KOHLER CO. METRIC PRO-E

POWER SYSTEMS, KOHLER, WI 53044 U.S.A.

THIS DRAWING IN DESIGN AND DETAIL IS KOHLER CO. PROPERTY AND MUST NOT BE USED EXCEPT IN CONNECTION WITH KOHLER CO. WORK. ALL RIGHTS OF DESIGN OR INVENTION ARE RESERVED.

TITLE: **DIMENSION PRINT 100-200 SINGLE PHASE**

SCALE: 0.50 CAD NO. SHEET 2 of 2

DWG NO. **ADV-8688**

D