

REV	DATE	REVISION	BY	CHK
-	1-3-14	NEW DRAWING [CTS4728]	DFS	

LEGEND

- CE - TRANSFER COIL (EMERGENCY)
- CN - TRANSFER COIL (NORMAL)
- EL(#)- TRANSFER SWITCH EMERGENCY LUGS
- LL(#)- TRANSFER SWITCH LOAD LUGS
- LSN - POSITION SENSE SWITCH (NORMAL)
- LSE - POSITION SENSE SWITCH (EMERGENCY)
- NL(#)- TRANSFER SWITCH NEUTRAL LUGS
- P(#)- CONNECTOR
- TS - TRANSFER SWITCH/CONTACTOR
- W(#)- SONIC HARNESS WELD

LEFT SIDE WALL

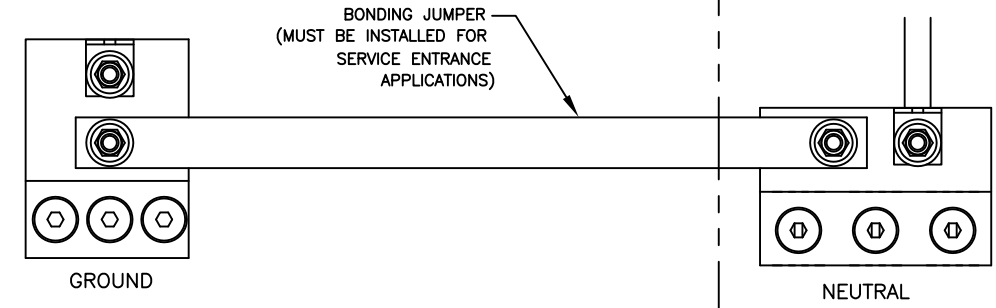
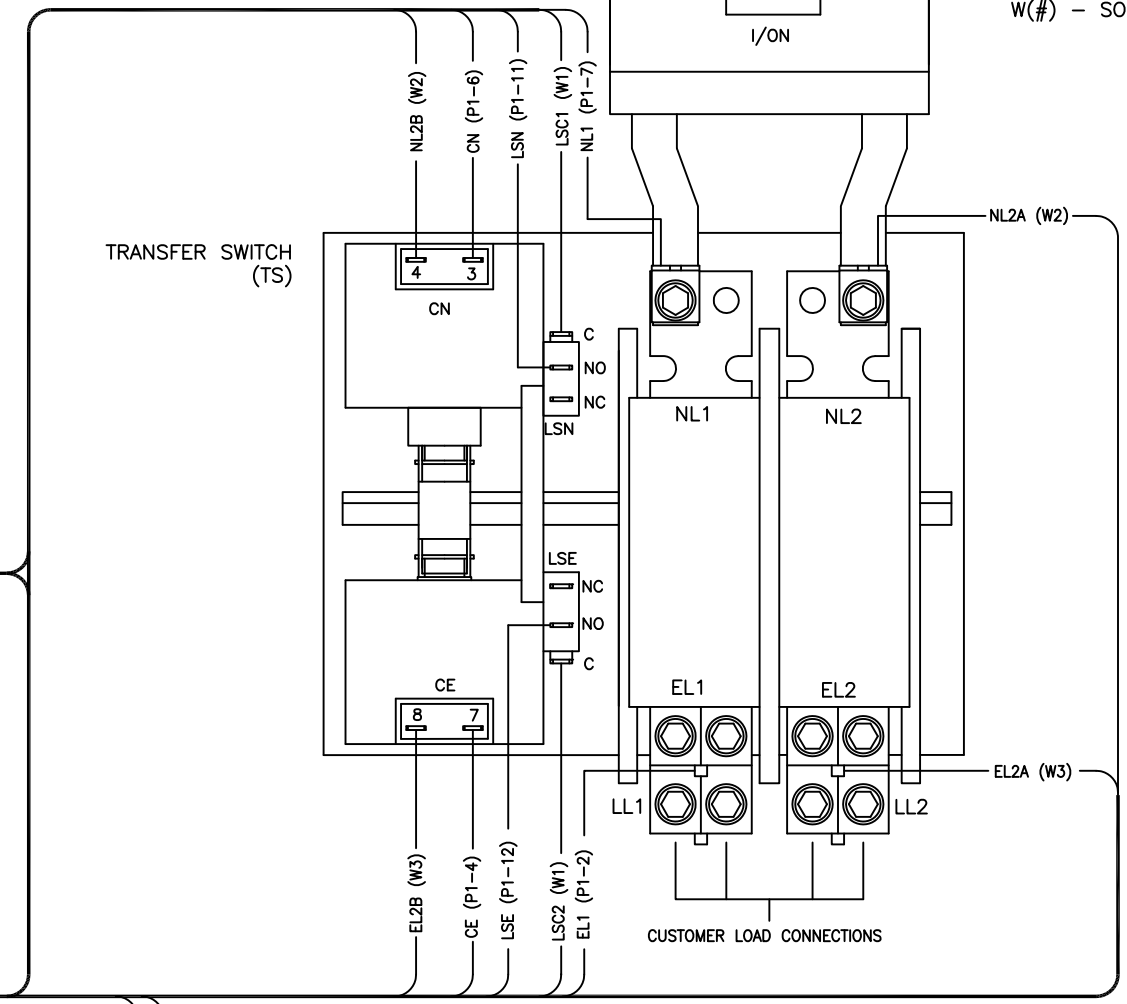
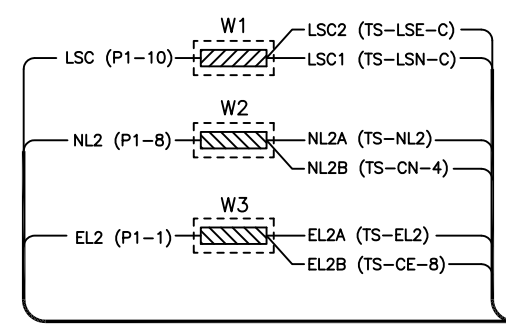
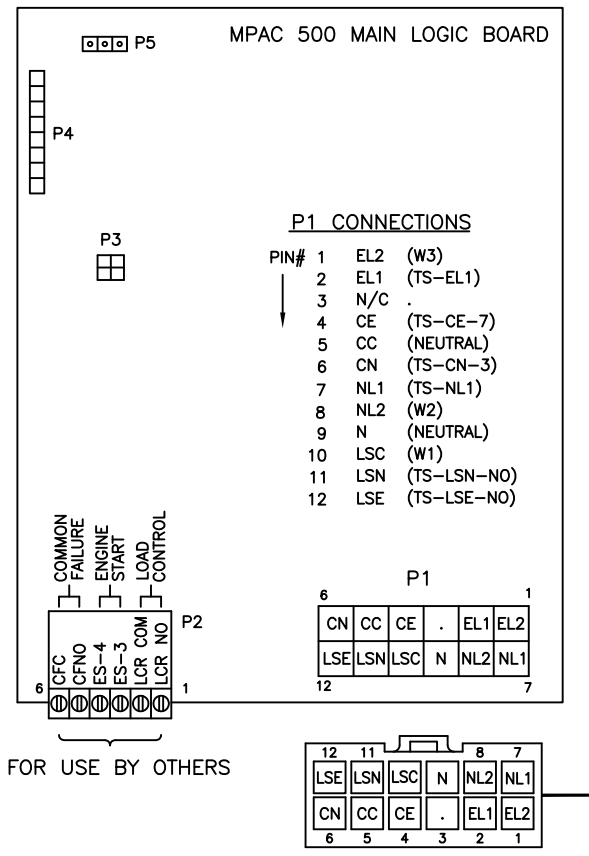
REAR PANEL

ACCESSORY MOUNTING BRACKET

CUSTOMER NORMAL SOURCE CONNECTIONS

FRONT FLANGE

SIDE FLANGE



SEE SHEET 2 FOR:
STANDARD BATTERY CHARGER & CARBURATOR HEATER WIRING
& OPTIONAL ACCESSORY WIRING

FOR SCHEMATIC DIARAM SEE GM84856

UNLESS OTHERWISE SPECIFIED - 1) DIMENSIONS ARE IN INCHES 2) TOLERANCES ARE: XXX ± .010 ANGLE ± 1/2° X ± .080 SURFACE FINISH FRACTIONS ±		<p>KOHLER CO. POWER SYSTEMS, KOHLER, WI 53044 U.S.A. THIS DRAWING, IN DESIGN AND DETAIL, IS KOHLER CO. PROPERTY AND MUST NOT BE USED EXCEPT IN CONNECTION WITH KOHLER CO. WORK. ALL RIGHTS OF DESIGN OR INVENTION ARE RESERVED.</p>													
<p>APPROVALS</p> <table border="1"> <tr><td>DRAWN</td><td>DFS</td><td>DATE</td><td>1-3-14</td></tr> <tr><td>CHECKED</td><td>MTL</td><td>DATE</td><td>1-3-14</td></tr> <tr><td>APPROVED</td><td>MTL</td><td>DATE</td><td>1-3-14</td></tr> </table>		DRAWN	DFS	DATE	1-3-14	CHECKED	MTL	DATE	1-3-14	APPROVED	MTL	DATE	1-3-14	<p>TITLE</p> <p>DIAGRAM, WIRING 400A, 1Ø</p>	
DRAWN	DFS	DATE	1-3-14												
CHECKED	MTL	DATE	1-3-14												
APPROVED	MTL	DATE	1-3-14												
<p>MODEL R (RDT) 400A, 1Ø SERVICE ENTRANCE</p>		<p>SCALE</p> <p>GM NO.</p> <p>GM91643</p>	<p>SHEET</p> <p>1-2</p> <p>D</p>												