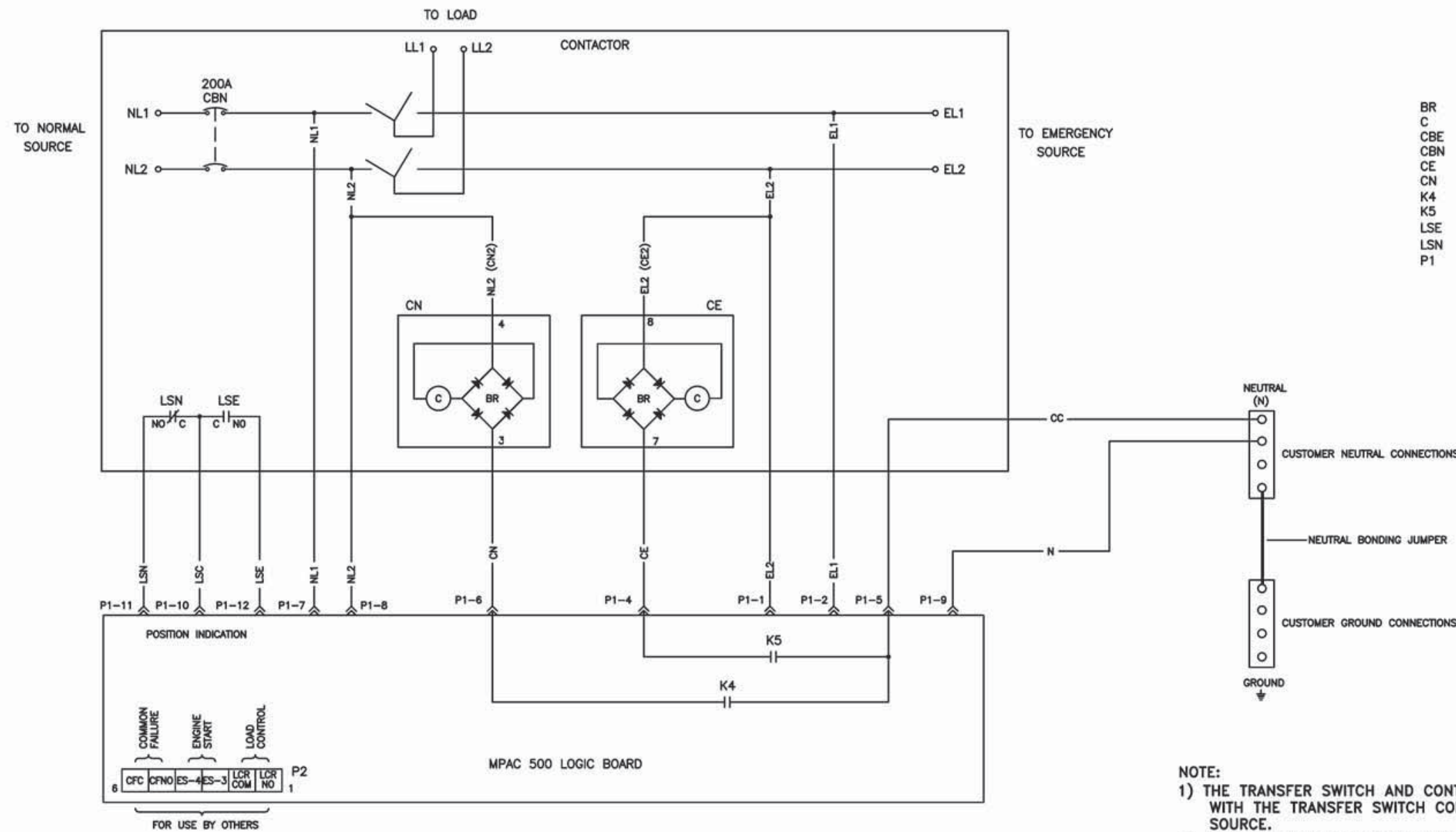


REV	DATE	REVISION	BY
1	1-11-12	NEW DRAWING (C7D4844)	BTW

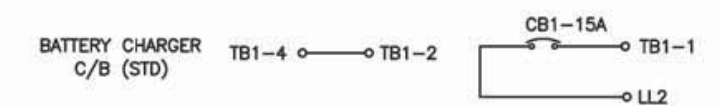


LEGEND

BR	BRIDGE RECTIFIER
C	COIL
CBE	SERVICE DISCONNECT EMERGENCY
CBN	SERVICE DISCONNECT NORMAL
CE	TRANSFER COIL (EMERGENCY TRANSFER)
CN	TRANSFER COIL (NORMAL TRANSFER)
K4	NORMAL RELAY CONTACTS
K5	EMERGENCY RELAY CONTACTS
LSE	LIMITS SWITCH EMERGENCY CONTACTS
LSN	LIMIT SWITCH NORMAL CONTACTS
P1	CONNECTOR

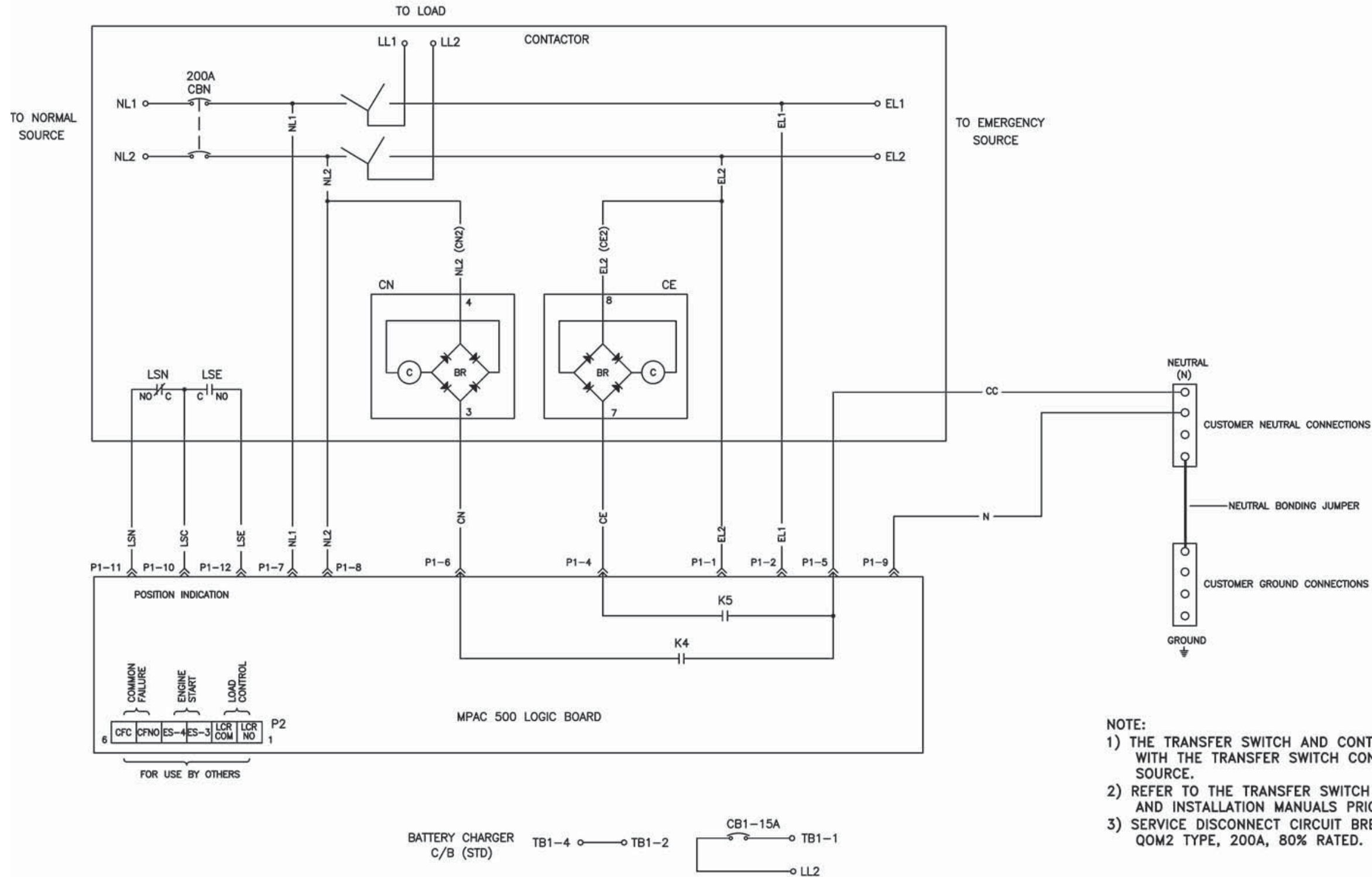
- NOTE:**
- 1) THE TRANSFER SWITCH AND CONTROLS ARE SHOWN DE-ENERGIZED WITH THE TRANSFER SWITCH CONTACTS CLOSED ON THE NORMAL SOURCE.
 - 2) REFER TO THE TRANSFER SWITCH AND GENERATOR OPERATION AND INSTALLATION MANUALS PRIOR TO INSTALLATION.
 - 3) SERVICE DISCONNECT CIRCUIT BREAKERS ARE SQUARE D QOM2 TYPE, 200A, 80% RATED.

- NOTE:**
1. ENGINE START CONTACTS ES1 & ES2 RATED 30 VOLT, 1 AMP. WIRING PROVIDED BY OTHERS.
 2. CONTACTOR SHOWN IN NORMAL WITH NO POWER APPLIED.
 3. FOR WIRING DIAGRAM SEE GM49862.



MPAC 500
SERVICE ENTRANCE 200A

HOLDING CIRCUMSTANCES PROVIDED - (1) DIMENSIONS AND OR SIZES UNLESS OTHERWISE SPECIFIED JUL 20 2011 APPROVED BY: VFC JUL 20 2011 DRAWN BY: FCH JUL 20 2011 CHECKED BY: FCH JUL 20 2011		KOHLER CO. POWER SYSTEMS, KOHLER, WI 53044, U.S.A. THIS DRAWING IS THE PROPERTY OF KOHLER CO. IT IS TO BE USED ONLY IN CONNECTION WITH KOHLER CO. WORK. ALL RIGHTS OF DESIGN OR INVENTION ARE RESERVED.	
DIAGRAM, SCHEMATIC			
APPROVALS	DATE	REV	BY
BTW	1-11-12		
FCH	1-11-12		
FCH	1-11-12		
PROJECT: MPAC 500 SERVICE ENTRANCE 200A SHEET: 1-1		PART NO.: GM84856 Dwg. No.	



NOTE:

- 1) THE TRANSFER SWITCH AND CONTROLS ARE SHOWN DE-ENERGIZED WITH THE TRANSFER SWITCH CONTACTS CLOSED ON THE NORMAL SOURCE.
- 2) REFER TO THE TRANSFER SWITCH AND GENERATOR OPERATION AND INSTALLATION MANUALS PRIOR TO INSTALLATION.
- 3) SERVICE DISCONNECT CIRCUIT BREAKERS ARE SQUARE D QOM2 TYPE, 200A, 80% RATED.