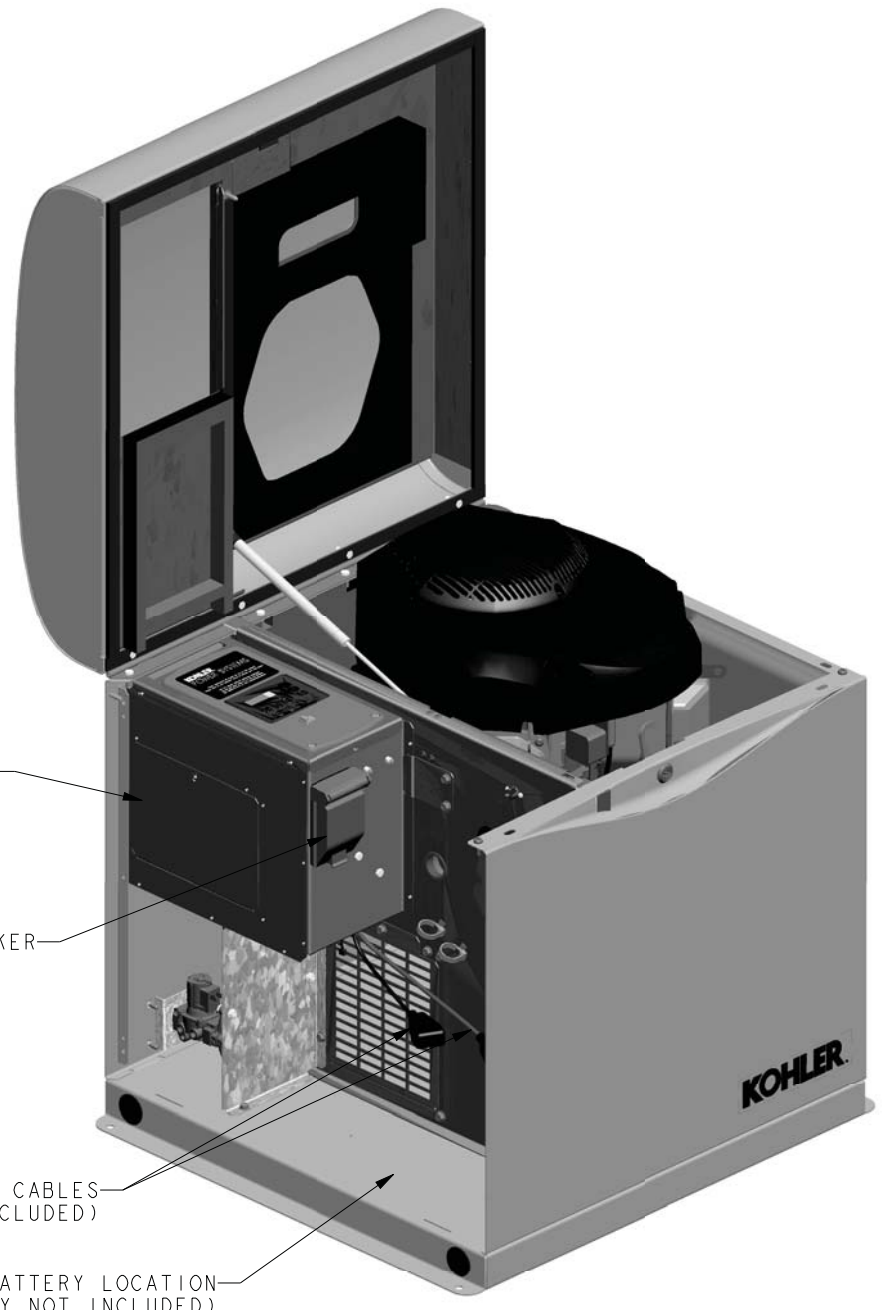


NOTE: DIMENSIONS IN [] ARE ENGLISH EQUIVALENTS.

REV	DATE	ON COMPOSITE DWGS. SEE PART NO. FOR REVISION LEVEL	BY	UNLESS OTHERWISE SPECIFIED - 1) DIMENSIONS ARE IN MILLIMETERS 2) TOLERANCES ARE:	SURFACE FINISH MAX.	THIRD ANGLE PROJECTION	APPROVALS	DATE	TITLE
-	4-16-13	NEW DRAWING [CT106074]	GFR	X.XX X.X X					
<small>POWER SYSTEMS, KOHLER, WI 53044 U.S.A. THIS DRAWING IN DESIGN AND DETAIL IS KOHLER CO. PROPERTY AND MUST NOT BE USED EXCEPT IN CONNECTION WITH KOHLER CO. WORK. ALL RIGHTS OF DESIGN OR INVENTION ARE RESERVED.</small>									
DIMENSION PRINT									
SCALE 0.15 CAD NO. SHEET 1 of 3 DWG NO. ADV-8774									

RESV



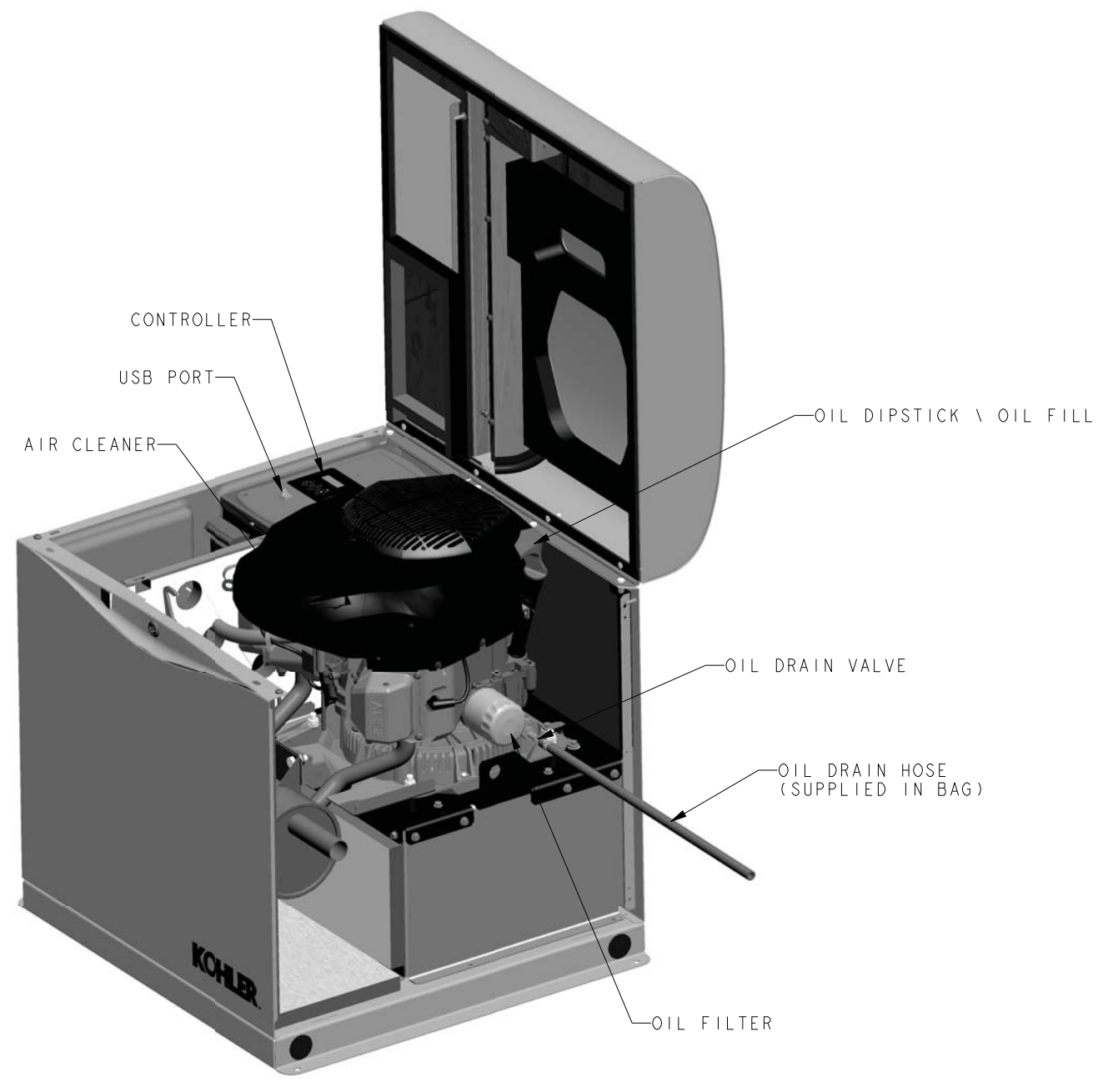
CUSTOMER CONNECTION BLOCK
(LOCATED BEHIND PANEL)

LOAD CIRCUIT BREAKER

BATTERY CABLES
(INCLUDED)

BATTERY LOCATION
(BATTERY NOT INCLUDED)

VIEW FROM
INLET AIR OUTLET



CONTROLLER

USB PORT

AIR CLEANER

OIL DIPSTICK \ OIL FILL

OIL DRAIN VALVE

OIL DRAIN HOSE
(SUPPLIED IN BAG)

OIL FILTER

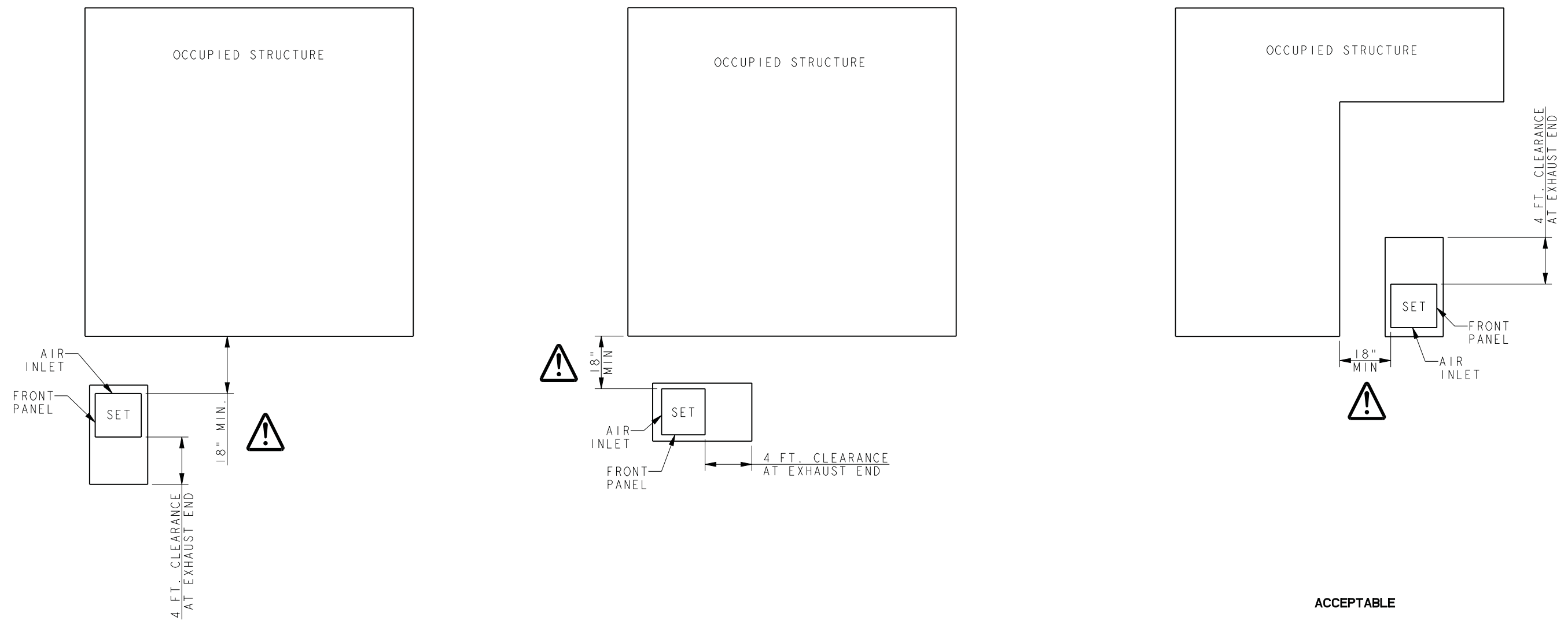
VIEW FROM
EXHAUST AIR OUTLET


RESV

REV	DATE	ON COMPOSITE DWGS. SEE PART NO. FOR REVISION LEVEL	BY	UNLESS OTHERWISE SPECIFIED - 1) DIMENSIONS ARE IN MILLIMETERS 2) TOLERANCES ARE:	KOHLER CO. METRIC PRO-E POWER SYSTEMS, KOHLER, WI 53044 U.S.A. THIS DRAWING IN DESIGN AND DETAIL IS KOHLER CO. PROPERTY AND MUST NOT BE USED EXCEPT IN CONNECTION WITH KOHLER CO. WORK. ALL RIGHTS OF DESIGN OR INVENTION ARE RESERVED.
-	4-16-13	NEW DRAWING [CT106074]	GFR	X.XX X.X X ANGLES SURFACE FINISH MAX. THIRD ANGLE PROJECTION	
			APPROVALS	DATE	TITLE DIMENSION PRINT SCALE 0.20 CAD NO. SHEET 2 of 3 DWG NO. ADV-8774
			DRAWN	4-16-13	
			CHECKED	4-16-13	
			APPROVED	4-16-13	D

8 7 6 5 4 3 2 1

D
C
B
A



NOTE:
 THE REQUIRED DISTANCE FROM A STRUCTURE IS DEPENDENT ON STATE AND LOCAL CODES. NFPA 37, STANDARDS FOR THE INSTALLATION AND USE OF STATIONARY COMBUSTION ENGINES AND GAS TURBINES.

ACCEPTABLE

- 1) EXHAUST IS AIMED AWAY OR PARALLEL TO STRUCTURE.
- 2) EXHAUST IS NOT DIRECTED AT PLAY AREAS, PATIOS OR OTHER AREAS WHERE PEOPLE CONGREGATE.
- 3) THE NEAREST WINDOW, VENT, DOOR OR SIMILAR STRUCTURE OPENING IS AT LEAST 5 FEET FROM THE EXHAUST END OF THE SET.
- 4) SET HAS PROPER OFFSET FROM STRUCTURE.
- 5) WINDOWS & DOORS ON ADJACENT WALLS ARE CLOSED.
- 6) FURNACE AND OTHER SIMILAR INTAKES ARE AT LEAST 10 FEET FROM EXHAUST END OF SET.
- 7) WEED BARRIER AND 3 INCH THICK GRAVEL BASE LOCATED TO PREVENT GRASS & WEEDS FROM GROWING TOO CLOSE TO THE SET.
- 8) NO PLANTS, SHRUBS OR OTHER COMBUSTIBLES ALLOWED IN GRAVEL AREA. (MINIMUM 4 FT. FROM EXHAUST END).
- 9) REFER TO OWNERS MANUAL FOR OTHER INSTALLATION CONSTRAINTS.
- 10) NO PLANTS, SHRUBS, OR OTHER COMBUSTIBLES ALLOWED WITHIN 18" OF AIR INTAKE.

RESV

REV	DATE	ON COMPOSITE DWGS. SEE PART NO. FOR REVISION LEVEL	BY	UNLESS OTHERWISE SPECIFIED - 1) DIMENSIONS ARE IN MILLIMETERS 2) TOLERANCES ARE:	COHLEH CO. METRIC PRO-E
-	4-16-13	NEW DRAWING [CT106074]	GFR	X.XX X.X X	POWER SYSTEMS, KOHLER, WI 53044 U.S.A. THIS DRAWING IN DESIGN AND DETAIL IS KOHLER CO. PROPERTY AND MUST NOT BE USED EXCEPT IN CONNECTION WITH KOHLER CO. WORK. ALL RIGHTS OF DESIGN OR INVENTION ARE RESERVED.
				ANGLES SURFACE FINISH MAX.	TITLE DIMENSION PRINT
				THIRD ANGLE PROJECTION	SCALE 0.15 CAD NO. SHEET 3 of 3
				APPROVALS DATE	DWG NO. ADV-8774 D
				DRAWN GFR 4-16-13	
				CHECKED BJF 4-16-13	
				APPROVED BJF 4-16-13	