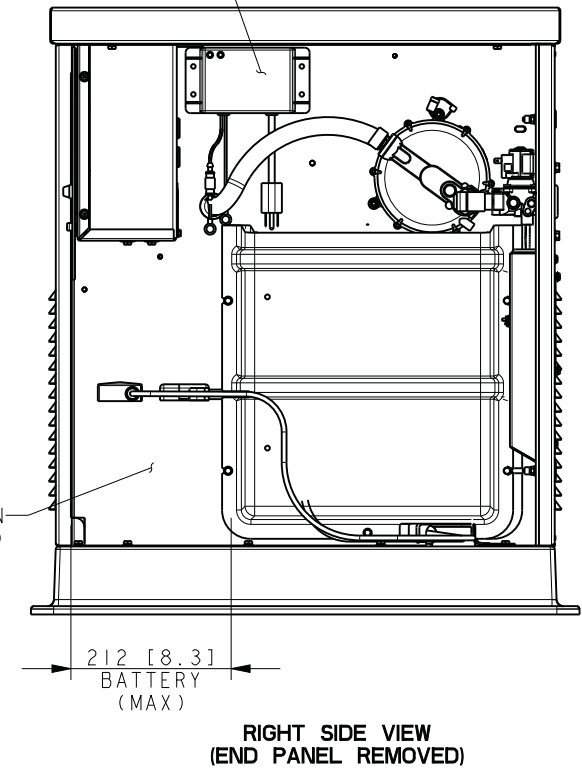
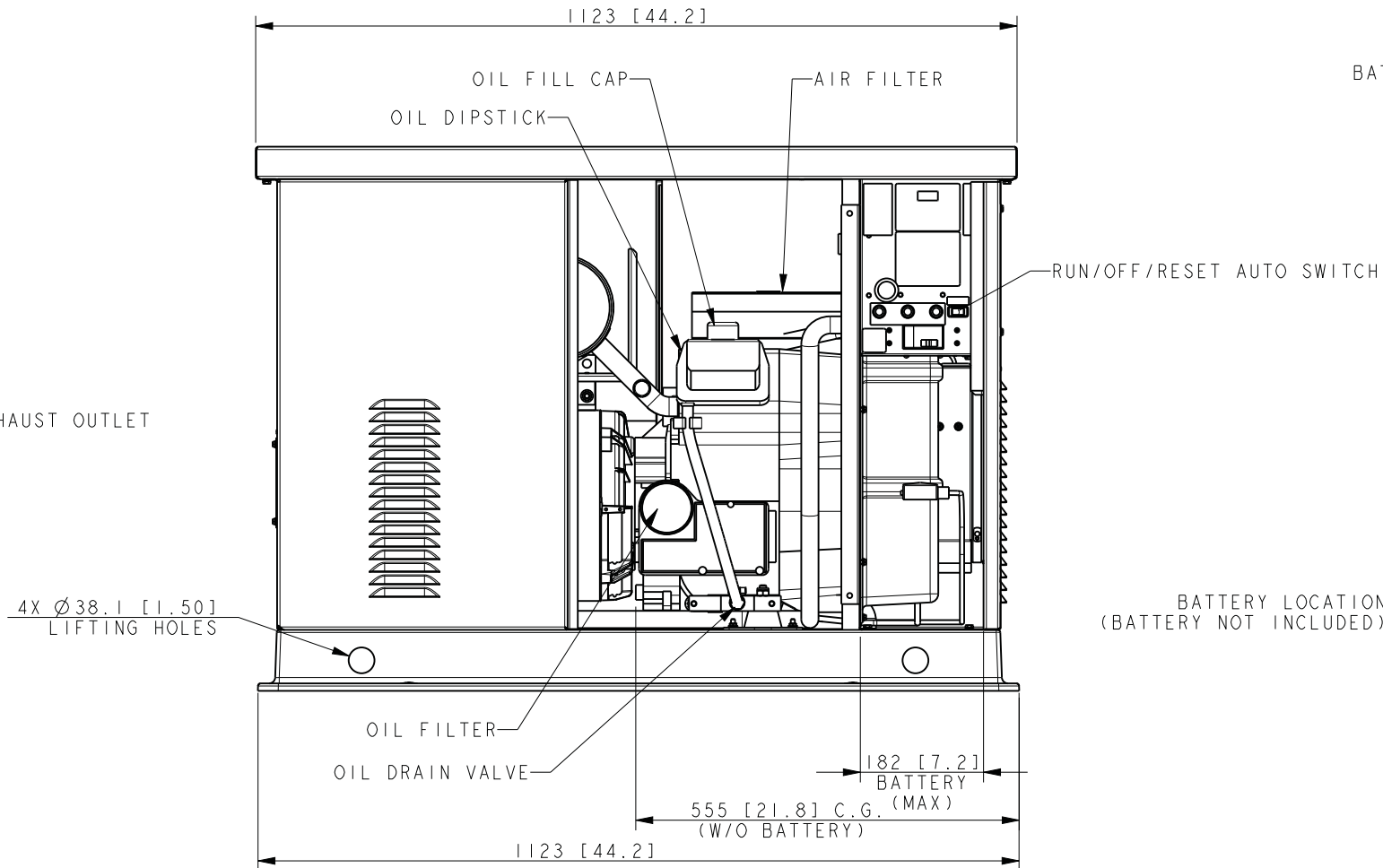
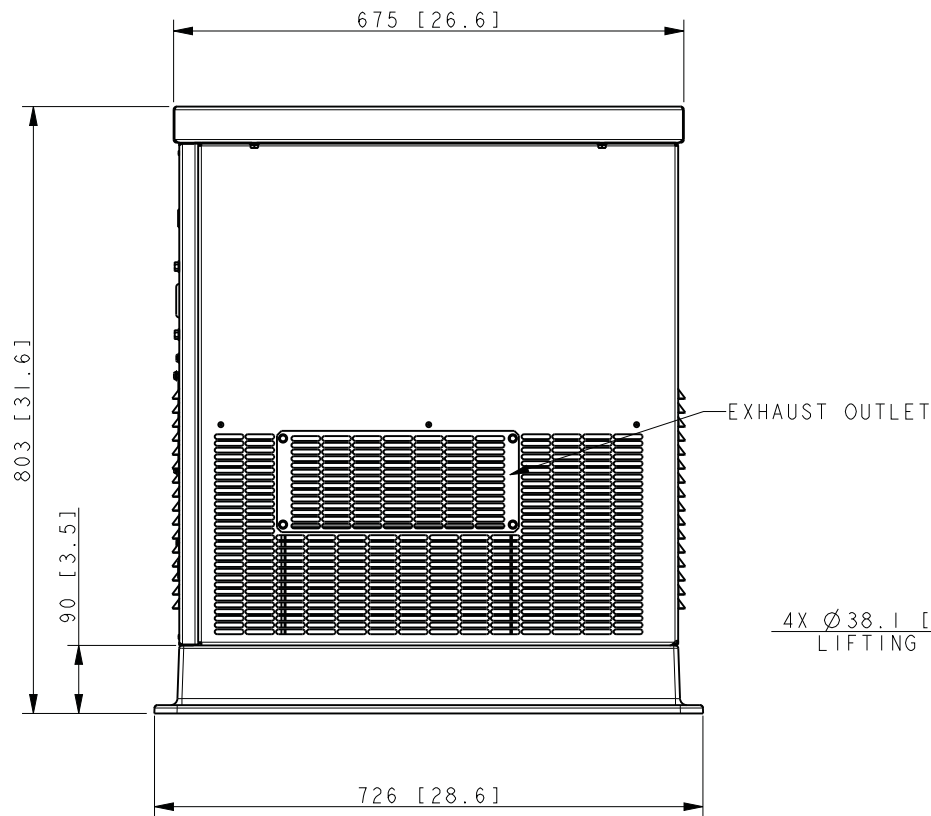
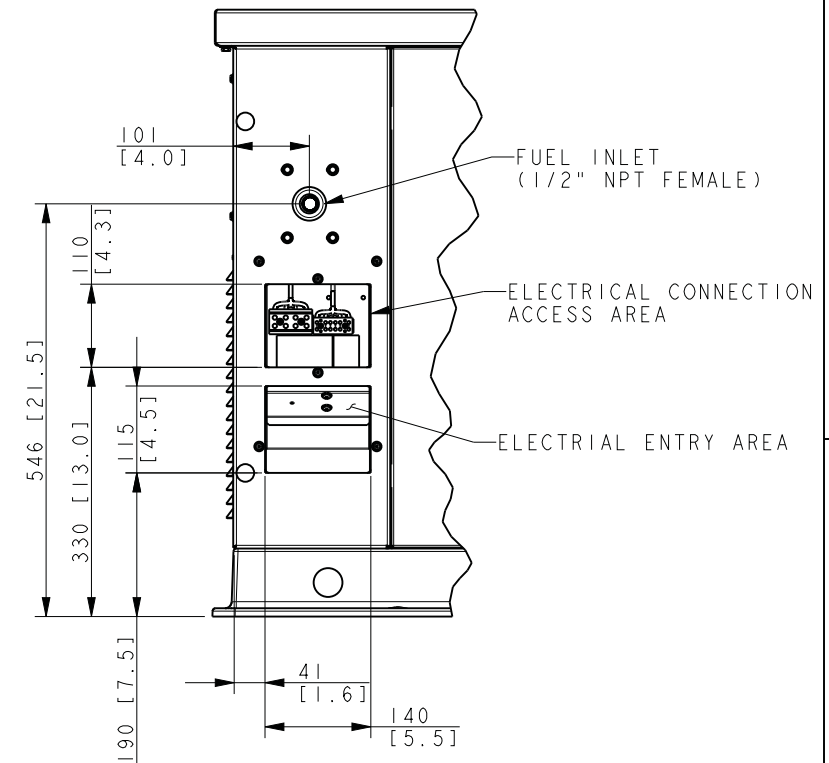
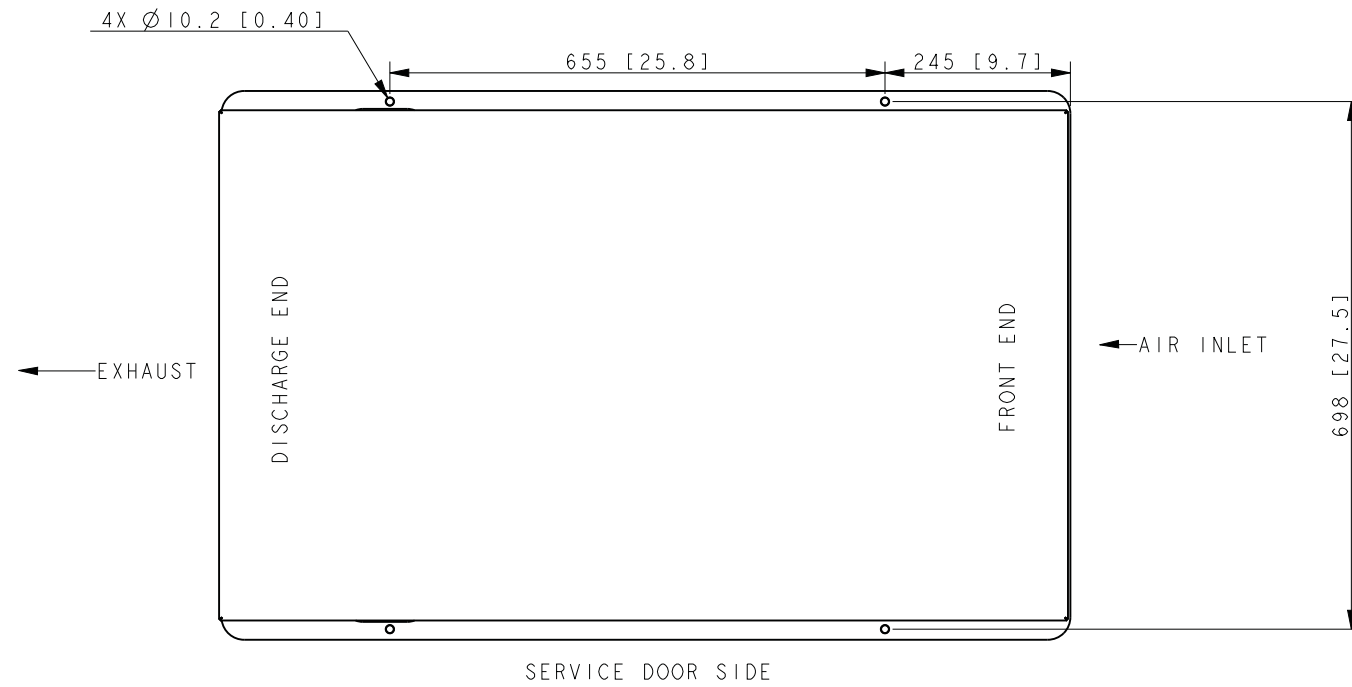


SCALE 0.125

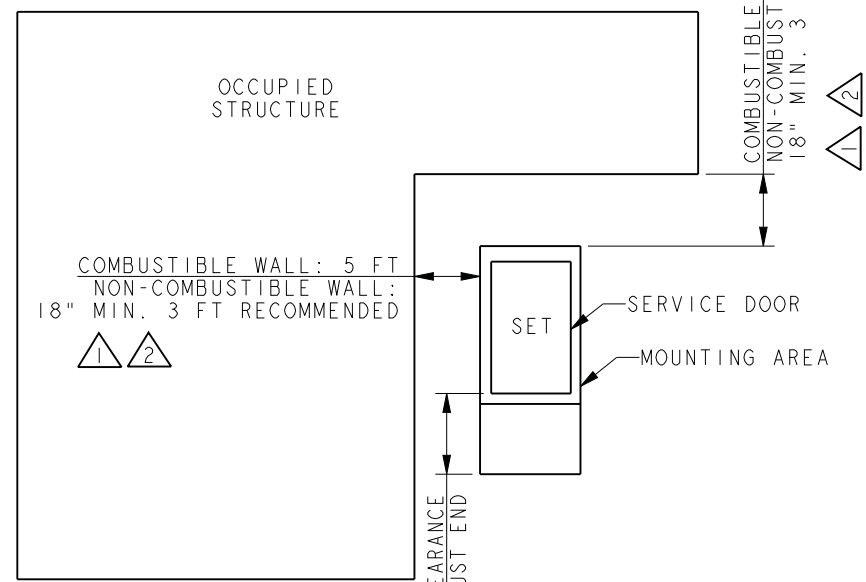
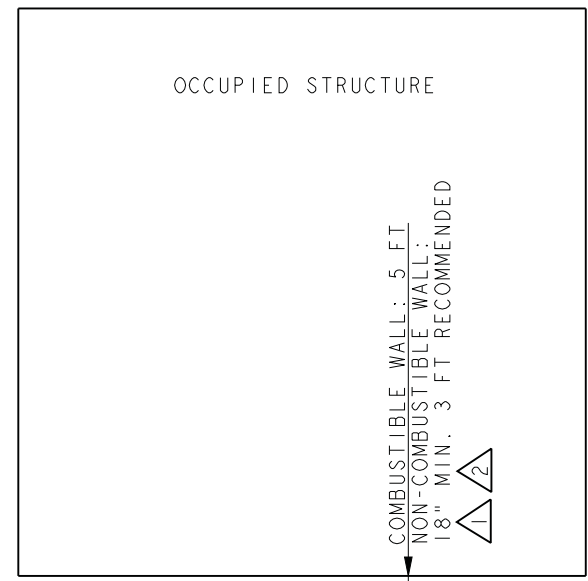
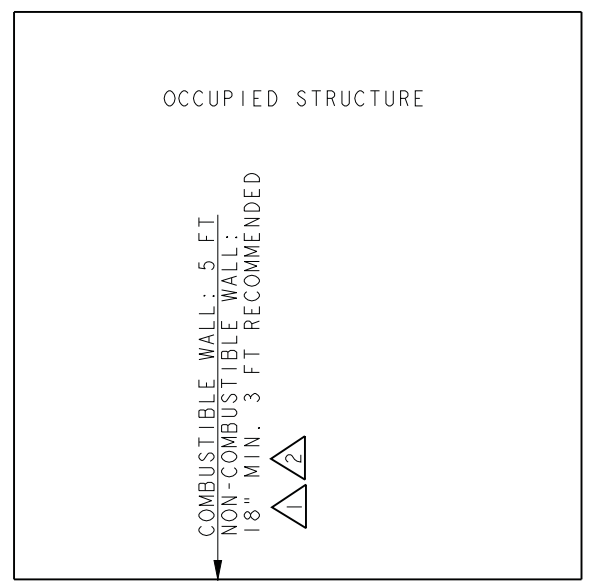


NOTES:
DIMENSIONS IN [] ARE INCH EQUIVALENTS.
WEIGHT W/O BATTERY: 182KG [400 IBS]

12RES

REV	DATE	ON COMPOSITE DWGS. SEE PART NO. FOR REVISION LEVEL	BY	UNLESS OTHERWISE SPECIFIED - 1) DIMENSIONS ARE IN MILLIMETERS 2) TOLERANCES ARE:	APPROVALS	DATE	TITLE
-	10-4-10	NEW DRAWING [90159-1]	MRS	X.XX ± 0.25 X.X ± 1.0 X ± 1.5			KOHLER CO. METRIC PRO-E POWER SYSTEMS, KOHLER, WI 53044 U.S.A. THIS DRAWING IN DESIGN AND DETAIL IS KOHLER CO. PROPERTY AND MUST NOT BE USED EXCEPT IN CONNECTION WITH KOHLER CO. WORK. ALL RIGHTS OF DESIGN OR INVENTION ARE RESERVED. DIMENSION PRINT
A	6-22-15	SEE SHEET 3 OF 3. (B-2) VIEWS UPDATED TO SHOW NEW FUEL SYSTEM [CT116513]	BGW	ANGLES ± 0° 30'			
B	8-17-15	SEE PAGE 2 OF 3 [CT121269]	BGW	THIRD ANGLE PROJECTION			
					APPROVED	10-4-10	SCALE 0.20 CAD NO. SHEET 1 of 3
					CHECKED	10-4-10	DWG NO. ADV-8024
					DRAWN	10-4-10	D

8 7 6 5 4 3 2 1



NOTE:

1) THE RECOMMENDED DISTANCE FROM A STRUCTURE IS DEPENDENT ON STATE AND LOCAL CODES. NFPA 37, STANDARDS FOR THE INSTALLATION AND USE OF STATIONARY COMBUSTION ENGINES AND GAS TURBINES, STATES THIS DISTANCE SHOULD BE AT LEAST 5 FEET FROM A COMBUSTIBLE MATERIAL.

2) FOR INSTALLATIONS NEAR NON-COMBUSTIBLE STRUCTURE, A MINIMUM DISTANCE OF 18" IS REQUIRED TO ENSURE PROPER GENERATOR COOLING.

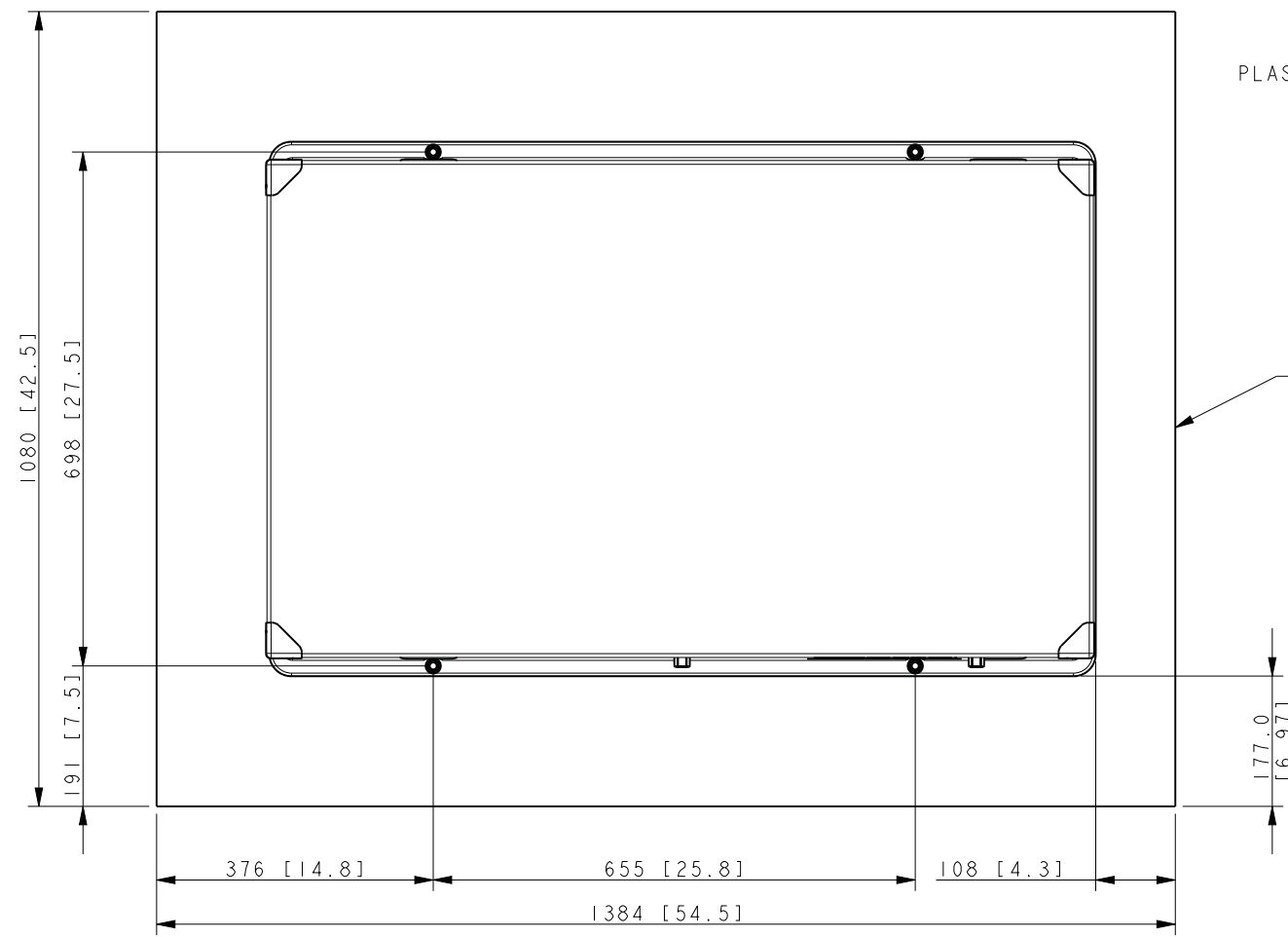
ACCEPTABLE

- 1) EXHAUST IS AIMED AWAY OR PARALLEL TO STRUCTURE.
- 2) EXHAUST IS NOT DIRECTED AT PLAY AREAS, PATIOS OR OTHER AREAS WHERE PEOPLE CONGREGATE.
- 3) THE NEAREST WINDOW, VENT, DOOR OR SIMILAR STRUCTURE OPENING IS AT LEAST 5 FEET FROM THE EXHAUST END OF THE SET.
- 4) SET HAS PROPER OFFSET FROM STRUCTURE.
- 5) WINDOWS & DOORS ON ADJACENT WALLS ARE CLOSED.
- 6) FURNACE AND OTHER SIMILAR INTAKES ARE AT LEAST 10 FEET FROM EXHAUST END OF SET.
- 7) WEED BARRIER AND 3 INCH THICK GRAVEL BASE OR CONCRETE PAD LOCATED TO PREVENT GRASS & WEEDS FROM GROWING TOO CLOSE TO THE SET.
- 8) NO PLANTS, SHRUBS OR OTHER COMBUSTIBLES ALLOWED IN CLEARANCE AREA. (MINIMUM 4 FT. FROM EXHAUST END).
- 9) REFER TO OWNERS MANUAL FOR OTHER INSTALLATION CONSTRAINTS.
- 10) NO PLANTS, SHRUBS, OR OTHER COMBUSTIBLES ALLOWED WITHIN 18" OF AIR INTAKE.

12RES
SINGLE UNIT
CONFIGURATION

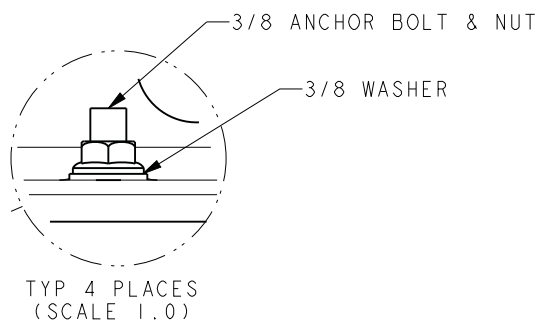
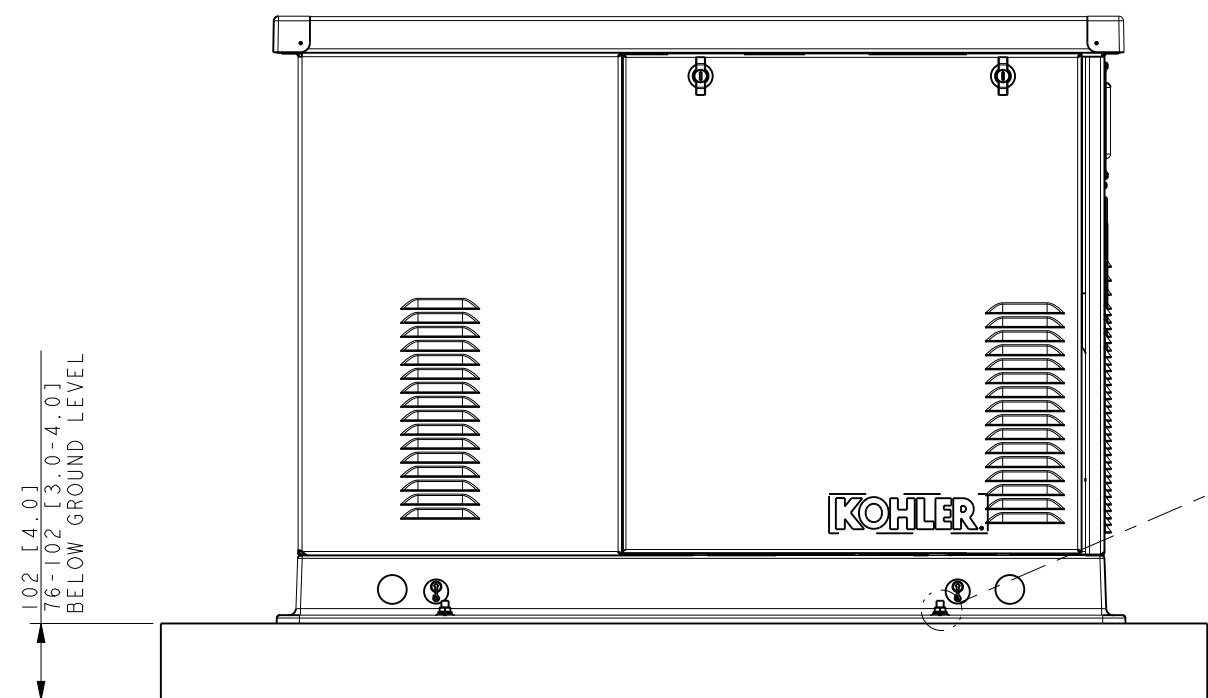
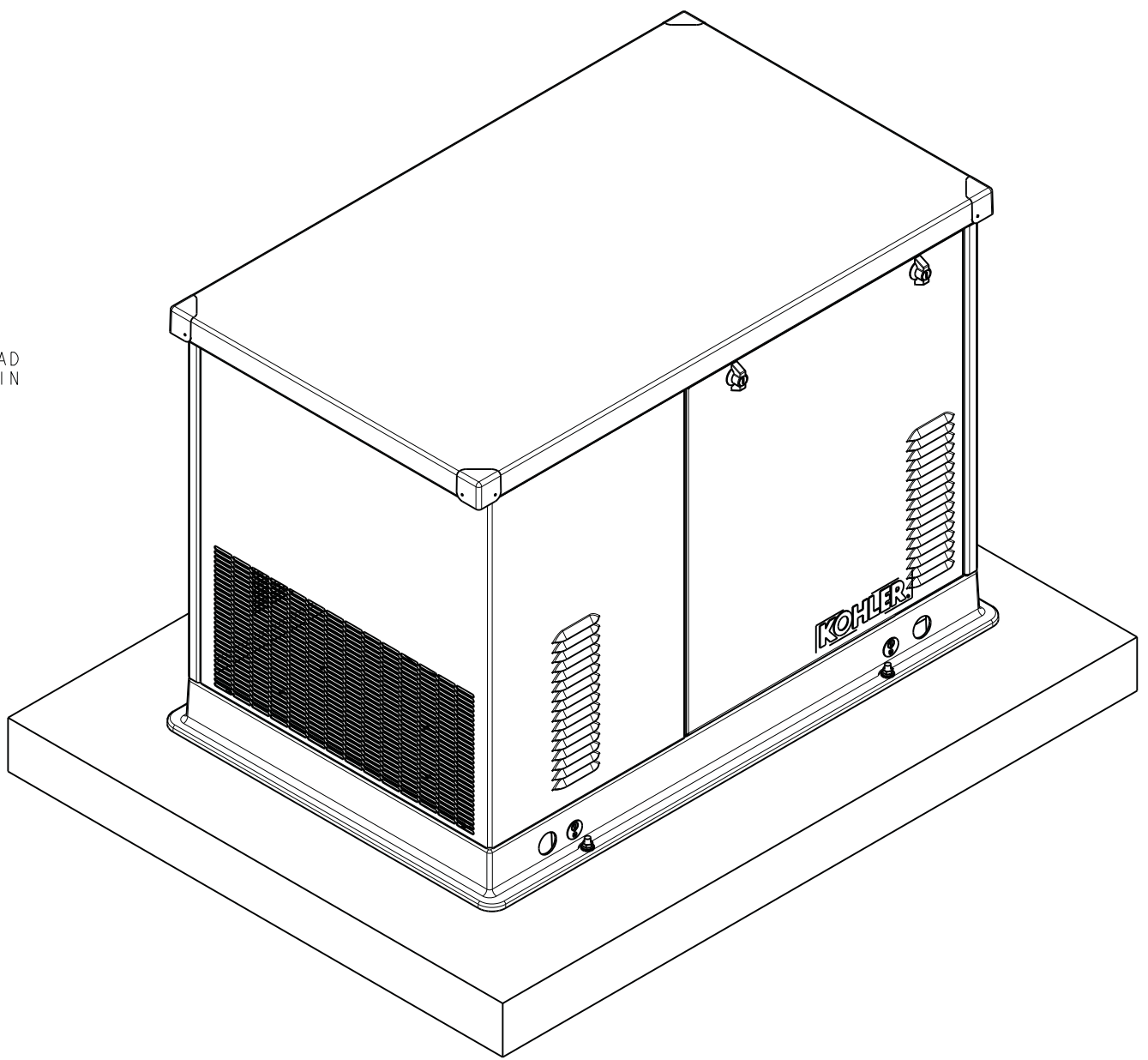
REV	DATE	ON COMPOSITE DWGS. SEE PART NO. FOR REVISION LEVEL	BY	UNLESS OTHERWISE SPECIFIED - 1) DIMENSIONS ARE IN MILLIMETERS 2) TOLERANCES ARE:	KOHLER CO. METRIC PRO-E POWER SYSTEMS, KOHLER, WI 53044 U.S.A. THIS DRAWING IN DESIGN AND DETAIL IS KOHLER CO. PROPERTY AND MUST NOT BE USED EXCEPT IN CONNECTION WITH KOHLER CO. WORK. ALL RIGHTS OF DESIGN OR INVENTION ARE RESERVED.
-	10-5-10	NEW DRAWING [90159-1]	MRS	X.XX ± 0.25 X.X ± 1.0 X ± 1.5	
A	6-22-15	SEE SHEET 1 AND 3 OF 3 [CT116513]	BGW	ANGLES ± 0° 30' MAX.	TITLE DIMENSION PRINT SCALE 0.20 CAD NO. SHEET 2 of 3 DWG NO. ADV-8024
B	8-17-15	PAGE REFORMATTED. [CT121269]	BGW		
			THIRD ANGLE PROJECTION		
			APPROVALS	DATE	
			DRAWN	MRS	10-5-10
			CHECKED	MRS	10-5-10
			APPROVED	JJN	10-5-10

8 7 6 5 4 3 2 1



PLASTIC BASE

CONCRETE PAD
3000 PSI MIN



NOTE:
BOLTED CONNECTION REQUIREMENTS:
SHEAR LOAD 150 LBS/BOLT.
PULL OUT FORCE 200 LBS/BOLT.

12 RES
150MPH - HIGH WIND
MOUNTING DETAIL

REV	DATE	ON COMPOSITE DWGS. SEE PART NO. FOR REVISION LEVEL	BY
-	10-5-10	NEW DRAWING [90159-1]	MRS
A	6-22-15	SEE SHEET 1 OF 3, VIEWS UPDATED FOR HIGH WIND APPLICATION [CT116513]	BGW
B	8-17-15	SEE PAGE 2 OF 3 [CT121269]	BGW

UNLESS OTHERWISE SPECIFIED -
1) DIMENSIONS ARE IN MILLIMETERS
2) TOLERANCES ARE:
X.XX ± 0.25
X.X ± 1.0
X ± 1.5
ANGLES ± 0° 30' MAX.

KOHLER CO. METRIC PRO-E
POWER SYSTEMS, KOHLER, WI 53044 U.S.A.
THIS DRAWING IN DESIGN AND DETAIL IS KOHLER CO. PROPERTY AND MUST NOT BE USED EXCEPT IN CONNECTION WITH KOHLER CO. WORK. ALL RIGHTS OF DESIGN OR INVENTION ARE RESERVED.

TITLE: **DIMENSION PRINT**

SCALE 0.20 CAD NO. SHEET 3 of 3
DWG NO. **ADV-8024** D

APPROVALS	DATE
DRAWN MRS	10-5-10
CHECKED MRS	10-5-10
APPROVED JJN	10-5-10