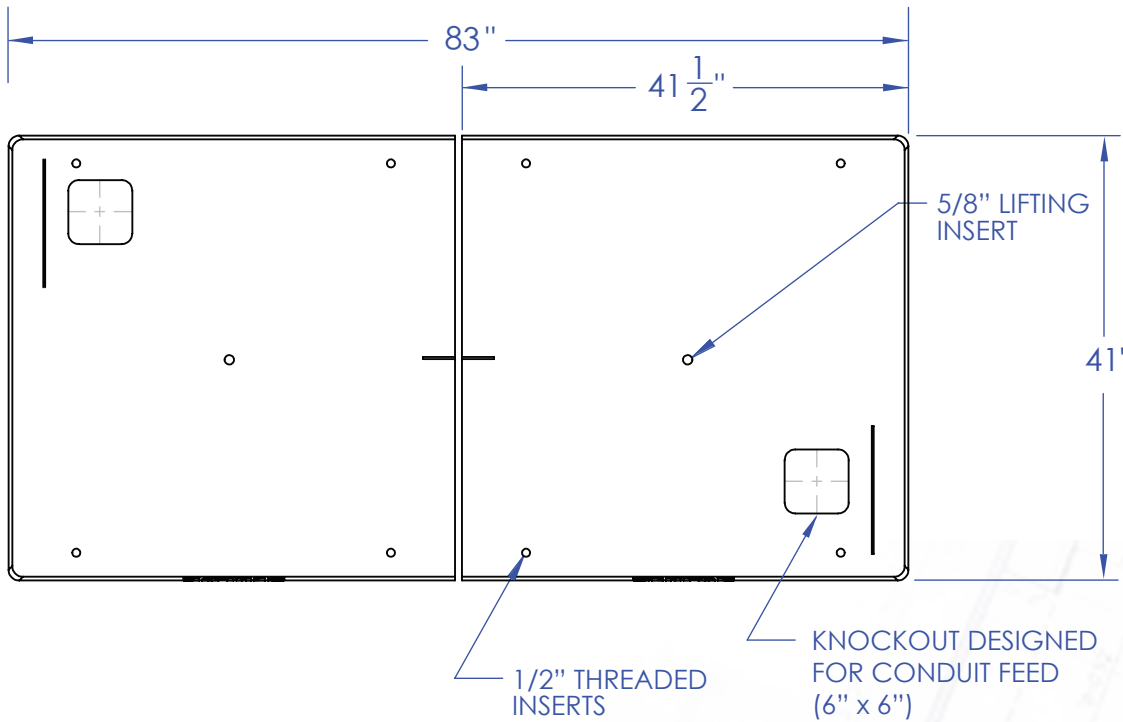


Technical Specifications

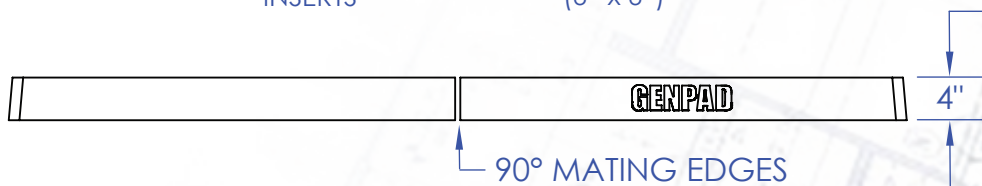
GENPAD LC™



GENERAC PART #
1000005771




Designed for
Generac Protector
Series
Gas Generators

32-60kW
RG | EG | HG Series




DIVERSITECH® #FG8341-4G

SPECIFICATIONS

-  Fiber Reinforced Concrete
-  Steel and Beam Reinforcement
-  8000 PSI Compression Strength

Wind Analysis documentation is available upon request.

COMPONENTS

-  2 Pad Kit Designed for Installer Flexibility
 - Knockout for Conduit Feed
 - 235 lbs Each Pad
 - Protective-Coated Adjustable Mounting Clips
 - 5/8" Lifting Insert
 - 1/2" Zinc Inserts
 - 1/2" Stainless Steel Bolts, 1/2" Washers



6650 Sugarloaf Pkwy, Suite 100
Duluth, GA 30097
800.888.2069 | GENPADS@DIVERSITECH.COM

