

W03083

3300 / 3000 WATT REMOTE START
INVERTER PORTABLE GENERATOR
EPA CARB AND cETL CERTIFIED

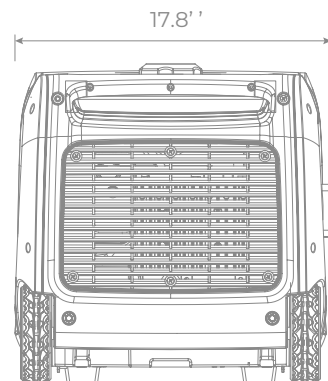
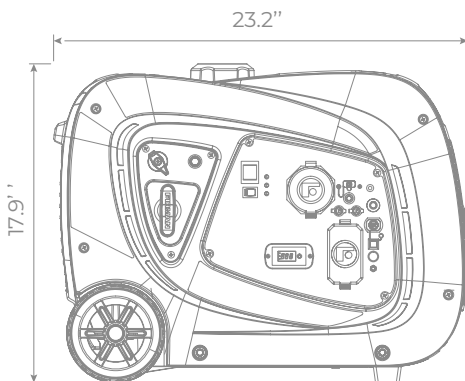
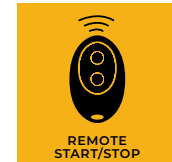
FIRMAN[®]
POWER EQUIPMENT

8716 WEST LUDLOW DR. SUITE #6
PEORIA, AZ 85381
1-844-347-6261
WWW.FIRMANPOWEREQUIPMENT.COM

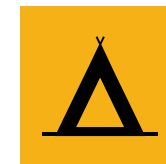
UPC // 840876130834
STARTING WATTS // 3300
RUNNING WATTS // 3000
VOLTAGE // 120V
FREQUENCY // 60Hz
ENGINE TYPE // OHV
STARTING SYSTEM // REMOTE / ELECTRIC /
RECOIL
FUEL TANK SIZE // 1.8 GAL
RUN-TIME // UP TO 10 HRS (@25% LOAD)
DECIBLES // 58 dB (@7m @25% LOAD)
CARTON L×W×H // 26.6" × 18.9" × 19.3"
GROSS WEIGHT // 109 LBS.
UNIT WEIGHT // 90 LBS.
UNITS PER PALLET // 16

CONTROL PANEL

(2) 5-20R 20A-120V
(1) TT-30R 30A-120V RV READY
(1) DC OUTLET 8.3A-12V
(1) USB OUTLET 2.1A-5V



BEST USED FOR



FIRMAN®

Parallel Capable
Capaz Paralelo
Capable parallèle



Control panel area including a fuel tank cap with a yellow handle, a red emergency stop button, and a power switch. Labels include 'FUEL TANK', 'EMERGENCY STOP', and 'POWER SWITCH'.

Power control section with a red power switch, a green 'POWER READY' indicator, and a red 'OVERLOAD' indicator. Labels include 'POWER READY', 'OVERLOAD', and '120 VAC 20A'.

Output panel featuring a large 120V AC outlet, a 12V DC output, and various smaller ports. Labels include '120 VAC 20A', '12V DC 8.3A', and 'PARALLEL OPERATION'.

Digital display unit showing '88.8' on a red LED screen. Labels include 'FIRMAN Digital Display 0P 03' and 'REV 2.0'.

3300 WATT
POTENCIA DE ALIMENTACION
POISSANCE DE RECHARGE

3000 WATT
POTENCIA DE ALIMENTACION
POISSANCE DE RECHARGE

W3300iR

