

W03081

3300 / 3000 WATT RECOIL START
INVERTER PORTABLE GENERATOR
EPA CARB AND cETL CERTIFIED

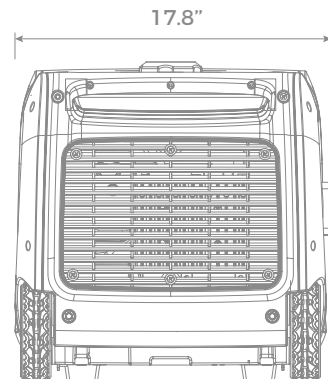
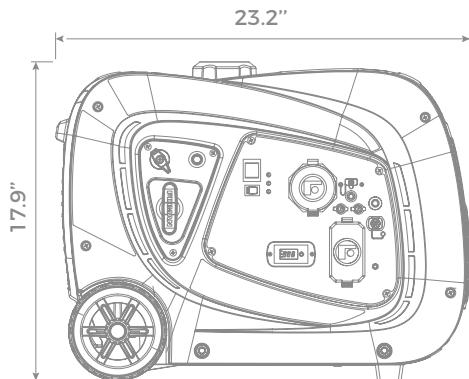
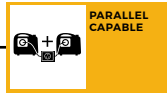
FIRMAN[®]
POWER EQUIPMENT

8716 WEST LUDLOW DR. SUITE #6
PEORIA, AZ 85381
1-844-347-6261
WWW.FIRMANPOWEREQUIPMENT.COM

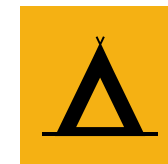
UPC // 840876130810
STARTING WATTS // 3300
RUNNING WATTS // 3000
VOLTAGE // 120V
FREQUENCY // 60Hz
ENGINE TYPE // OHV
STARTING SYSTEM // RECOIL
FUEL TANK SIZE // 1.8 GAL
RUN-TIME // UP TO 10 HRS (@25% LOAD)
DECIBELS // 58 dB (@7m @25% LOAD)
CARTON L×W×H // 26.6" × 18.9" × 19.3"
GROSS WEIGHT // 94 LBS.
UNIT WEIGHT // 84 LBS.
UNITS PER PALLET // 16
UNITS PER CONTAINER // 320 / 40HQ

CONTROL PANEL

(2) 5-20R 20A-120V
(1) TT-30R 30A-120V RV READY
(1) DC OUTLET 8.3A-12V
(1) USB OUTLET 2.1A-5V



BEST USED FOR



FIRMAN®

Parallel Capable
Capez Paralelo
Capable parallèle



Control panel area featuring a fuel tank cap, a selector switch with 'I', 'N', and 'II' positions, and a yellow handle with the FIRMAN logo.

Power control section including a red emergency stop button, a power switch, and indicator lights for 'OVERLOAD PROTECTION' and 'SERVO MOTOR PROTECTION'.

Main output area with a large 120V AC 30A RV outlet, a 12V DC 8.3A outlet, and a digital display showing '0.00'.

3300
3300Watts
3300Watts
3300Watts

3000
3000Watts
3000Watts
3000Watts

W3300i

