

P08003

10000 / 8000 WATT 50A 120/240V REMOTE START
GAS PORTABLE GENERATOR
EPA AND CARB CERTIFIED

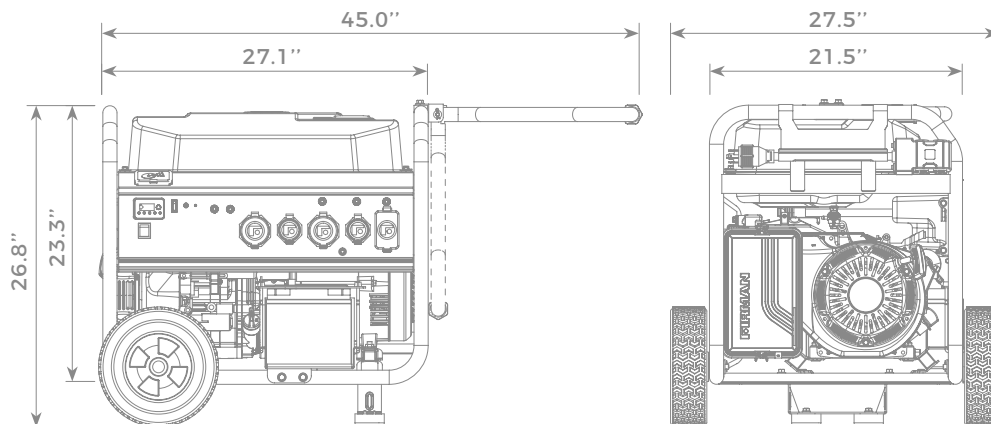
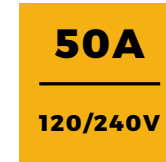
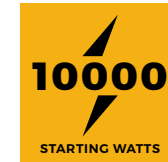
FIRMAN
POWER EQUIPMENT

8716 WEST LUDLOW DR. SUITE #6
PEORIA, AZ 85381
1-844-347-6261
WWW.FIRMANPOWEREQUIPMENT.COM

UPC // 840876180037
STARTING WATTS // 10000
RUNNING WATTS // 8000
VOLTAGE // 120 / 240V
FREQUENCY // 60Hz
ENGINE TYPE // OHV
STARTING SYSTEM // REMOTE / ELECTRIC / RECOIL
FUEL TANK SIZE // 8.0 GAL
RUN-TIME // UP TO 12 HRS (@50% LOAD)
DECIBELS // 74 dB (@7m @50% LOAD)
CARTON L×W×H // 31.9" × 22.1" × 24.4"
GROSS WEIGHT // 230.5 LBS.
UNIT WEIGHT // 208 LBS.
UNITS PER PALLET // 4 / 2
UNITS PER CONTAINER // 188 / 40HQ

CONTROL PANEL

- (2) 5-20R 20A-120V GFCI
- (1) 14-50R 50A-120/240V
- (1) L14-30R 30A-120/240V TWIST LOCK
- (1) TT-30R 30A-120V RV READY
- (1) L5-30R 30A-120V TWIST LOCK



BEST USED FOR





FIRMAN 8000

FIRMAN Digital Display 500-01

0 1 H

NEUTRAL BONDED TO FRAME
NEUTRO CONECTADO AL BASTIDOR
NEUTRE MIS À LA MASSE À LA CARCASSE DU MOTEUR

10000 **8000**

STARTING WATTS
VATIOS DE ARRANQUE
POISSANCE DE DEMARRAGE

RUNNING WATTS
VATIOS DE CONTINUOS
POISSANCE DE FONCTIONNEMENT

ACICA 120V/240V 50A ACICA 120V/240V 30A RV ACICA 120V 30A ACICA 120V 30A FCI ACICA 120V 20A

FIRMAN

12V 15Ah/20HR

CAUTION:

- Maintenance free, no water or electrolyte supply;
- Do not incinerate;
- Keep fire away and do not expose in hot environment;
- Charge the battery 4 hours by charger with 4A current, or manual-start the generator to run for several hours if the generator running time is less than 10 hours with in three months.

Pb Pb

94 CE

MH1923