

P05702

7125 / 5700 WATT 30A 120/240V REMOTE START
GAS PORTABLE GENERATOR
EPA CERTIFIED

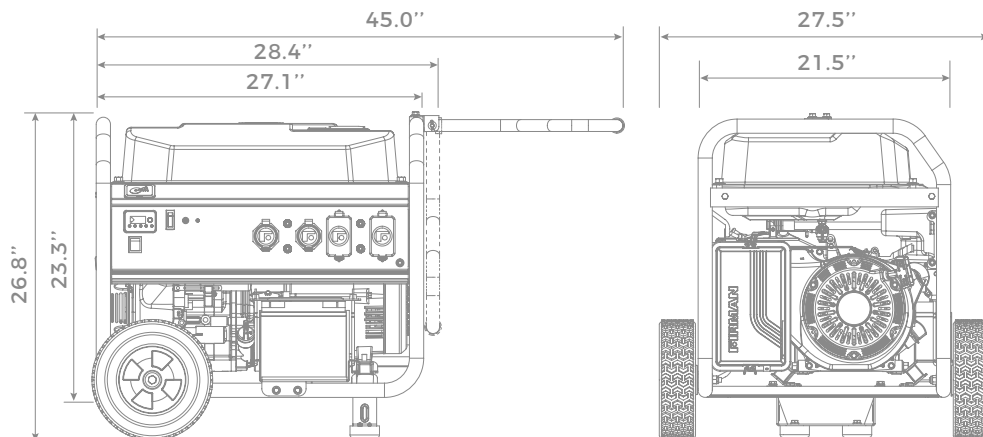
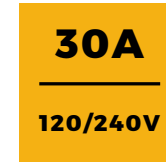
FIRMAN
POWER EQUIPMENT

8716 WEST LUDLOW DR. SUITE #6
PEORIA, AZ 85381
1-844-347-6261
WWW.FIRMANPOWEREQUIPMENT.COM

UPC // 840876157022
STARTING WATTS // 7125
RUNNING WATTS // 5700
VOLTAGE // 120 / 240V
FREQUENCY // 60Hz
ENGINE TYPE // OHV
STARTING SYSTEM // REMOTE / ELECTRIC / RECOIL
FUEL TANK SIZE // 8.0 GAL
RUN-TIME // UP TO 13 HRS (@50% LOAD)
DECIBELS // 74 dB (@7m @50% LOAD)
CARTON L×W×H // 31.9" × 22.1" × 24.4"
GROSS WEIGHT // 214 LBS.
UNIT WEIGHT // 203 LBS.
UNITS PER PALLET // 4 / 2
UNITS PER CONTAINER // 196 / 40HQ

CONTROL PANEL

(4) 5-20R 20A-120V GFCI
(1) L14-30R 30A-120/240V TWIST LOCK
(1) L5-30R 30A-120V TWIST LOCK



BEST USED FOR





FIRMAN 5700

FIRMAN Digital Display DPS-01
7.888
0 II

7125 **5700**
STARTING WATTS
VATIOS DE ARRANQUE
POISSANCE DE DEMARRAGE

5700
RUNNING WATTS
VATIOS DE CONTINUOS
POISSANCE DE FONCTIONNEMENT

NEUTRAL BONDED TO FRAME
NEUTRO CONECTADO AL BASTIDOR
NEUTRE MIS À LA MASSE À LA CARCASSE DU MOTEUR

ACICA 120V/240V 30A

ACICA 120V 30A

GFCI ACICA 120V 20A

GFCI ACICA 120V 20A

FIRMAN
12V 15Ah/20HR

CAUTION:
• Maintenance free, no water or electrolyte supply.
• Do not incinerate.
• Keep the away and do not expose to hot environment.
• Charge the battery 4 hours by charger with 4A current, or manual-start the generator to run for several hours if the generator running time is less than 10 hours with in three months.

Pb Pb
FIRMAN CE
M1651755