

P03607

4550 / 3650 WATT RECOIL START
GAS PORTABLE GENERATOR
EPA AND CARB CERTIFIED

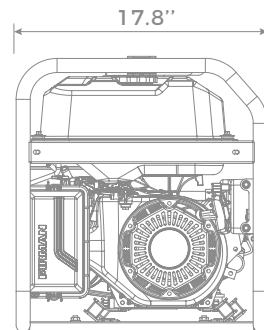
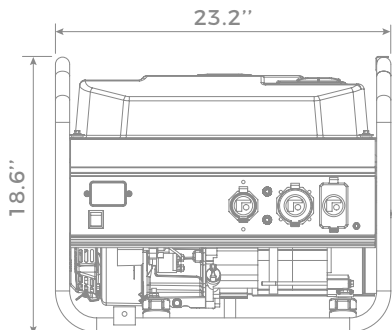
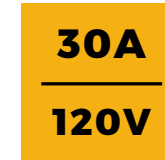
FIRMAN[®]
POWER EQUIPMENT

8716 WEST LUDLOW DR. SUITE #6
PEORIA, AZ 85381
1-844-347-6261
WWW.FIRMANPOWEREQUIPMENT.COM

UPC // 840876136072
STARTING WATTS // 4550
RUNNING WATTS // 3650
VOLTAGE // 120V
FREQUENCY // 60Hz
ENGINE TYPE // OHV
STARTING SYSTEM // RECOIL
FUEL TANK SIZE // 5.0 GAL
RUN-TIME // UP TO 14 HRS (@50% LOAD)
DECIBLES // 67 dB (@7m @50% LOAD)
CARTON L×W×H // 24" × 18.1" × 19.9"
GROSS WEIGHT // 110 LBS.
UNIT WEIGHT // 101.5 LBS.
UNITS PER PALLET // 16
UNITS PER CONTAINER // 336 / 40HQ

CONTROL PANEL

(2) 5-20R 20A-120V
(1) TT-30R 30A-120V RV READY
(1) L5-30R 30A-120V TWIST LOCK



BEST USED FOR





FIRMAN®

3650

FIRMAN Digital Display SPD-01

8888

Hz

H

RV 01

ON/OFF

⚠️

🔧

4550	3650
STARTING WATTS	RUNNING WATTS
VATIOS DE ARRANQUE	VATIOS DE CONTINUOS
PUISSANCE DE DÉMARRAGE	PUISSANCE DE FONCTIONNEMENT

NEUTRAL BONDED TO FRAME
 NEUTRO CONECTADO AL BASTIDOR
 NEUTRE MIS À LA MASSE À LA CARCASSE DU MOTEUR

AC/CA 120V 30A

RV AC/CA 120V 20A

AC/CA 120V 20A

⚡

⚡

⚡

FIRMAN

FIRMAN POWER EQUIPMENT
 EMISSION CONTROL INFORMATION

Model: SF210190250492

200 cc (12.30 cu in) 11000m³

300 cc (18.30 cu in) 11000m³

700 cc (42.30 cu in) 11000m³

FIRMAN

SF210190250492

⚠️ **NEUTRAL BONDED TO FRAME**
 NEUTRO CONECTADO AL BASTIDOR
 NEUTRE MIS À LA MASSE À LA CARCASSE DU MOTEUR

200 cc (12.30 cu in) 11000m³

300 cc (18.30 cu in) 11000m³

700 cc (42.30 cu in) 11000m³