

P03606

4550 / 3650 WATT 30A 120/240V RECOIL START
GAS PORTABLE GENERATOR
EPA CERTIFIED

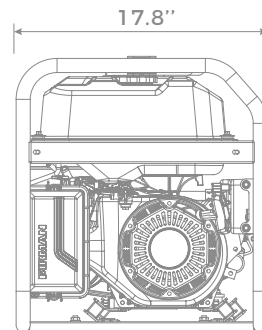
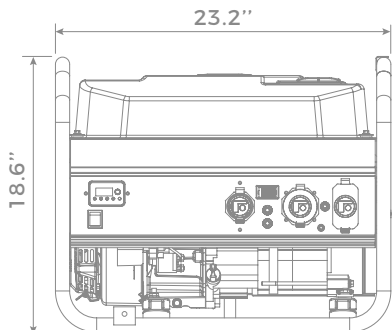
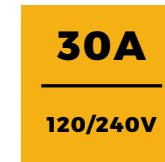
FIRMAN[®]
POWER EQUIPMENT

8716 WEST LUDLOW DR. SUITE #6
PEORIA, AZ 85381
1-844-347-6261
WWW.FIRMANPOWEREQUIPMENT.COM

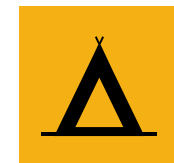
UPC // 840876136065
STARTING WATTS // 4550
RUNNING WATTS // 3650
VOLTAGE // 120 / 240V
FREQUENCY // 60Hz
ENGINE TYPE // OHV
STARTING SYSTEM // RECOIL
FUEL TANK SIZE // 5.0 GAL
RUN-TIME // UP TO 14 HRS (@50% LOAD)
DECIBLES // 67 dB (@7m @50% LOAD)
CARTON L×W×H // 24" × 18.1" × 19.9"
GROSS WEIGHT // 110 LBS.
UNIT WEIGHT // 101.5 LBS.
UNITS PER PALLET // 16
UNITS PER CONTAINER // 336 / 40HQ

CONTROL PANEL

(2) 5-20R 20A-120V
(1) TT-30R 30A-120V RV READY
(1) L14-30R 30A-120/240V TWIST LOCK



BEST USED FOR





FIRMAN

3650
240V ← 120V

FIRMAN Digital Display GPS-01
REV 01

4550 **3650**
STARTING WATTS / VATIOS DE ARRANQUE / PUISSANCE DE DÉMARRAGE
RUNNING WATTS / VATIOS DE CONTINUOS / PUISSANCE DE FONCTIONNEMENT

NEUTRAL BONDED TO FRAME
NEUTRO CONECTADO AL BASTIDOR
NEUTRE MIS A LA MASSE A LA CARCASSE DU MOTEUR

240V 120V
AC/CA 120 / 240V 30A
RV AC/CA 120V 30A
AC/CA 120V 20A

As you sit the weather!
All our best
Your Friends etc.
FIRMAN
POWER ON GENERATOR

FIRMAN
FIRMAN POWER EQUIPMENT AND
EQUIPMENT CONTROL, INCORPORATED
ENGINE MODEL: SF210181076832
EQUIPMENT CONTROL, INCORPORATED
FIRMAN ENGINE MODEL: SF210181076832
THIS ENGINE IS CERTIFIED TO OPERATE
ON GASOLINE
DO NOT OPERATE FOR EXCESSIVE
DURATION
DO NOT OPERATE FOR EXCESSIVE
DURATION
DO NOT OPERATE FOR EXCESSIVE
DURATION
DO NOT OPERATE FOR EXCESSIVE
DURATION

FIRMAN
SF210181076832

NEUTRAL BONDED TO FRAME / NEUTRO CONECTADO AL BASTIDOR / NEUTRE MIS A LA MASSE A LA CARCASSE DU MOTEUR
2008 124 630 ea / SF 201 ea / 1 190000
700 cc / 67.00 ea / 1 190000