

P03605

4550 / 3650 WATT 30A 120/240V RECOIL START
GAS PORTABLE GENERATOR
EPA AND cETL CERTIFIED

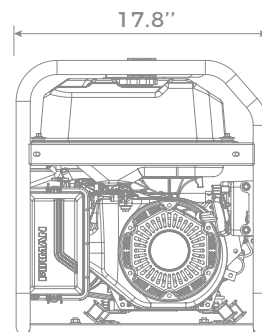
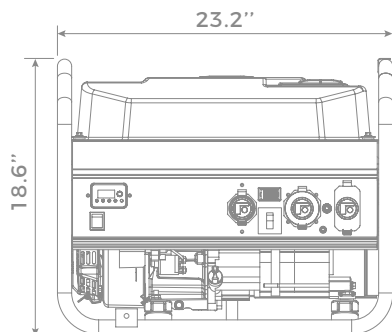
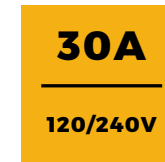
FIRMAN[®]
POWER EQUIPMENT

8716 WEST LUDLOW DR. SUITE #6
PEORIA, AZ 85381
1-844-347-6261
WWW.FIRMANPOWEREQUIPMENT.COM

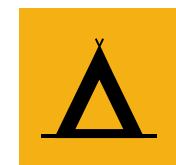
UPC // 840876136058
STARTING WATTS // 4550
RUNNING WATTS // 3650
VOLTAGE // 120 / 240V
FREQUENCY // 60Hz
ENGINE TYPE // OHV
STARTING SYSTEM // RECOIL
FUEL TANK SIZE // 5.0 GAL
RUN-TIME // UP TO 14 HRS (@50% LOAD)
DECIBLES // 67 dB (@7m @50% LOAD)
CARTON L×W×H // 24" × 18.1" × 19.9"
GROSS WEIGHT // 110 LBS.
UNIT WEIGHT // 101.5 LBS.
UNITS PER PALLET // 16
UNITS PER CONTAINER // 336 / 40HQ

CONTROL PANEL

(2) 5-20R 20A-120V
(1) TT-30R 30A-120V RV READY
(1) L14-30R 30A-120/240V TWIST LOCK



BEST USED FOR





FIRMAN®

3650
240V ← 120V

FIRMAN Digital Display GPS-01
REV 01

4550 **3650**
STARTING WATTS RUNNING WATTS
VATIOS DE ARRANQUE VATIOS DE CONTINUOS
PUISSANCE DE DÉMARRAGE PUISSANCE DE FONCTIONNEMENT

NEUTRAL BONDED TO FRAME
NEUTRO CONECTADO AL BASTIDOR
NEUTRE MIS À LA MASSE À LA CARCASSE DU MOTEUR

240V
AC/CA 120 / 240V 30A

240V ← 120V
ON
OFF

120V
RV AC/CA 120V 30A

AC/CA 120V 20A

All you get the weather!
All you best
Your Friends etc.
FIRMAN
POWER ON GENERATOR

FIRMAN
FIRMAN POWER EQUIPMENT AND
EQUIPMENT CONTROL, INC.
ENGINE MODEL: SF210181076832
SERIAL NUMBER: SF210181076832
GAS ENGINE MEETS US EPA/CEP/EP
REGULATIONS FOR CO2
THIS ENGINE IS CERTIFIED TO OPERATE
ON PROPANE
FOR SAFETY OF YOUR PROPERTY IT IS
DESIGNED TO BE USED IN THE FOLLOWING
AREAS:
1. RESIDENTIAL
2. COMMERCIAL
3. INDUSTRIAL
4. MARINE
5. RECREATIONAL
6. AGRICULTURAL
7. CONSTRUCTION
8. OTHER
DO NOT USE FOR GENERATING POWER
IN ANY OTHER AREAS.
DO NOT USE FOR GENERATING POWER
IN ANY OTHER AREAS.
DO NOT USE FOR GENERATING POWER
IN ANY OTHER AREAS.

FIRMAN
SF210181076832

2008 124 650 ea | SF 201 04 1 100000 1
700 cc | 67.00 ea | 100000 1