

P01001

1300 / 1050 WATT RECOIL START
GAS PORTABLE GENERATOR
EPA CARB AND cETL CERTIFIED

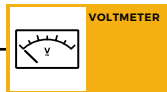
FIRMAN[®]
POWER EQUIPMENT

8716 WEST LUDLOW DR. SUITE #6
PEORIA, AZ 85381
1-844-347-6261
WWW.FIRMANPOWEREQUIPMENT.COM

UPC // 840876110041
STARTING WATTS // 1300
RUNNING WATTS // 1050
VOLTAGE // 120V
FREQUENCY // 60Hz
ENGINE TYPE // OHV
STARTING SYSTEM // RECOIL
FUEL TANK SIZE // 1.3 GAL
RUN-TIME // UP TO 10 HRS (@50% LOAD)
DECIBLES // 62 dB (@7m @50% LOAD)
CARTON L×W×H // 17.9" × 15.2" × 14"
GROSS WEIGHT // 52 LBS.
UNIT WEIGHT // 46 LBS.
UNITS PER PALLET // 18
UNITS PER CONTAINER // 810 / 40HQ

CONTROL PANEL

(1) 5-20R 20A-120V
(1) DC OUTLET 8.3A-12V



VOLTMETER

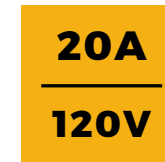


RELIABLE
RECOIL



1300

STARTING WATTS

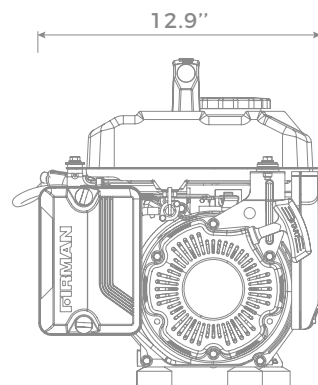
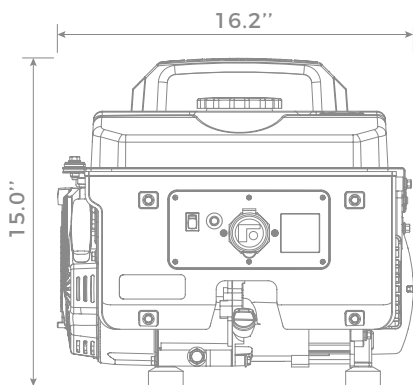


20A

120V



LIGHTWEIGHT



BEST USED FOR



FIRMAN 1050

1300 PEAKING WATTS
PICO DE AMPERAJE - PICO DE POTENCIA

1050 RUNNING WATTS
WATTS DE CORRIENTE - POTENCIA DE FUNCIONAMIENTO

NEUTRAL BONDED TO FRAME
NEUTRO CONECTADO AL BASTIDOR
NEUTRE MIS À LA MARGE À LA CARCASSE DU MOTEUR

120VAC 20A

VOLTMETER

80 cc
OHV

Max Pro Series
Max Pro Series
Max Pro Series



1.3 Gal
TANK
TANQUE
RÉSERVOIR

Up to **9.0 Hour**
RUN TIME (AT 50% LOAD)
DE FUNCIONAMIENTO (A 50% DE CARGA)
DURÉE DE SERVICE (A 50% DE CHARGE)

FIRMAN	
MODEL: F1050	REV. 10
DATE: 12/13	1050
POWER: 1050W	1300W
VOLTS: 120VAC	20A
TYPE: OHV	80cc
FUEL: GASOLINE	1.3 Gal
OPERATING TIME: 9.0 Hour	
WARRANTY: 3 Year	

FIRMAN