

H08051

GAS: 10000 / 8000 WATT - LPG: 9050 / 7250 WATT 50A 120/240V
ELECTRIC START GAS OR PROPANE DUAL FUEL PORTABLE GENERATOR
EPA AND CARB CERTIFIED

FIRMAN[®]
POWER EQUIPMENT

8716 WEST LUDLOW DR. SUITE #6
PEORIA, AZ 85381
1-844-347-6261
WWW.FIRMANPOWEREQUIPMENT.COM

UPC // 840876180518

GAS STARTING / RUNNING WATTS // 10000 / 8000

LPG STARTING / RUNNING WATTS // 9050 / 7250

VOLTAGE // 120 / 240V

FREQUENCY // 60Hz

ENGINE TYPE // OHV

STARTING SYSTEM // ELECTRIC / RECOIL

FUEL TANK SIZE // 8.0 GAL

RUN-TIME (GAS) // UP TO 12 HRS (@50% LOAD)

DECIBLES // 74 dB (@7m @50% LOAD)

CARTON LxWxH // 32.1" x 22.2" x 24.4"

GROSS WEIGHT // 234.5 LBS.

UNIT WEIGHT // 212 LBS.

UNITS PER PALLET // 4

UNITS PER CONTAINER // 188 / 40HQ

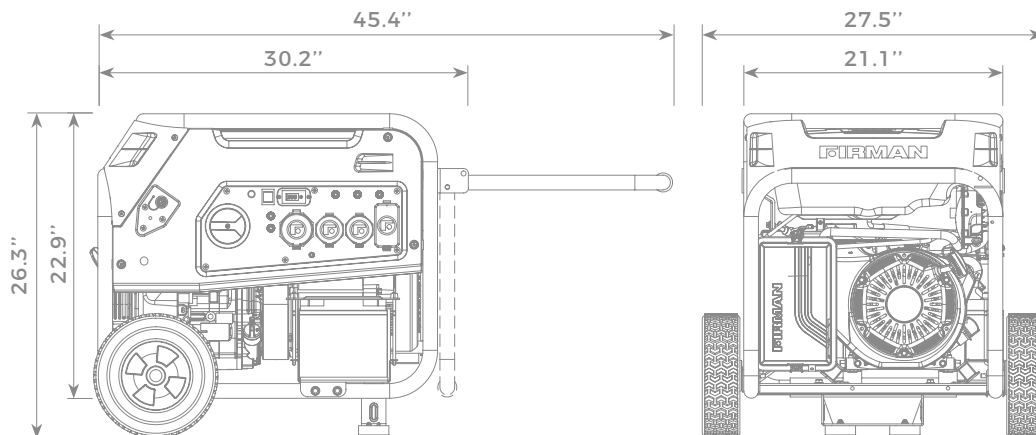
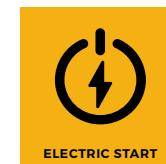
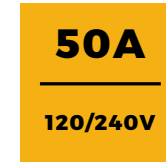
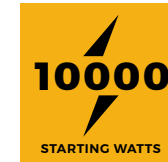
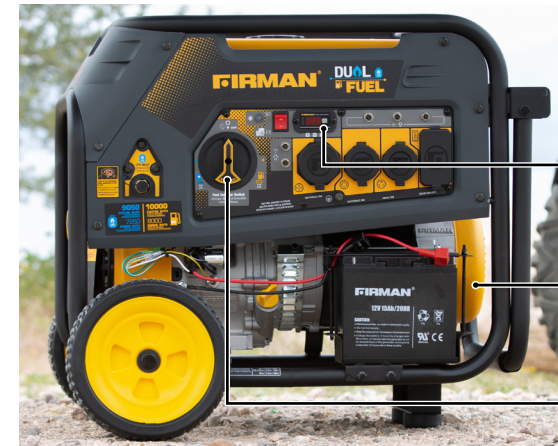
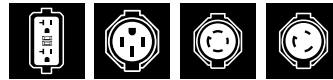
CONTROL PANEL

(2) 5-20R 20A-120V GFCI

(1) 14-50R 50A-120/240V

(1) L14-30R 30A-120V/240V TWIST LOCK

(1) L5-30R 30A 120V TWIST LOCK



BEST USED FOR



FIRMAN[®] DUAL FUEL



LPG INLET
Entrada de LPG
Entrée de LPG

Fuel Selector Switch
Interruptor Selector de Combustible
Carburant Sélecteur

NEUTRAL BONDED TO FRAME
NEUTRO CONECTADO AL MARCO
NEUTRE MIS À LA MASSE À LA CÂSSE DU MOTEUR

9050		10000	
STARTING WATTS POTENCIA DE ARRANQUE	7250	STARTING WATTS POTENCIA DE ARRANQUE	8000
RUNNING WATTS POTENCIA DE FUNCIONAMIENTO	7000	RUNNING WATTS POTENCIA DE FUNCIONAMIENTO	7500

FIRMAN Digital Display

120V/240VAC 50A
120V/240VAC 30A
120VAC 30A
120VAC 20A GFCI

FIRMAN[®]

12V 15Ah/20HR

- CAUTION:**
- Maintenance free, no water or electrolyte supply.
 - Do not overcharge.
 - Keep fire away and do not expose in hot environment.
 - Charge the battery 4 hours by charger with 4A current, or manual-start the generator to run for several hours if the generator running time is less than 10 hours with in three months.

