

H05751

GAS: 7125 / 5700 WATT - LPG: 7125 / 5700 WATT 30A 120/240V
ELECTRIC START GAS OR PROPANE DUAL FUEL PORTABLE GENERATOR
EPA AND CARB CERTIFIED

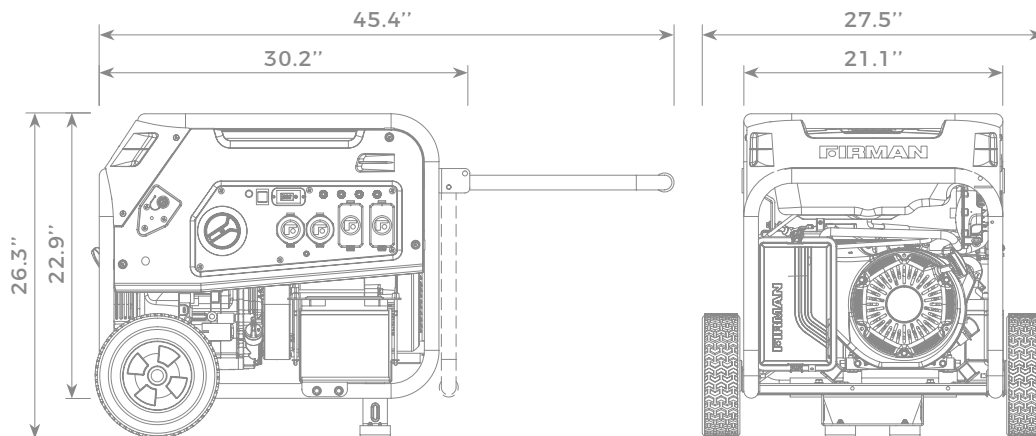
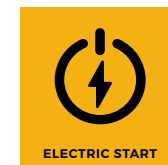
FIRMAN
POWER EQUIPMENT

8716 WEST LUDLOW DR. SUITE #6
PEORIA, AZ 85381
1-844-347-6261
WWW.FIRMANPOWEREQUIPMENT.COM

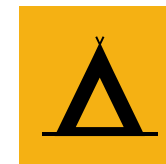
UPC // 840876157510
GAS STARTING / RUNNING WATTS // 7125 / 5700
LPG STARTING / RUNNING WATTS // 7127 / 5700
VOLTAGE // 120 / 240V
FREQUENCY // 60Hz
ENGINE TYPE // OHV
STARTING SYSTEM // ELECTRIC / RECOIL
FUEL TANK SIZE // 8.0 GAL
RUN-TIME (GAS) // UP TO 12 HRS (@50% LOAD)
DECIBLES // 74 dB (@7m @50% LOAD)
CARTON L×W×H // 32.1" × 22.2" × 24.4"
GROSS WEIGHT // 212 LBS.
UNIT WEIGHT // 194.5 LBS.
UNITS PER PALLET // 4
UNITS PER CONTAINER // 196 / 40HQ

CONTROL PANEL

- (4) 5-20R 20A-120V GFCI
- (1) L14-30R 30A-120V/240V TWIST LOCK
- (1) L5-30R 30A 120V TWIST LOCK



BEST USED FOR



FIRMAN

**DUOL
FUEL**



LPG INLET
Entrada de LPG

7125 STARTING WATTS
VALORES DE ARRANQUE / PUISSANCE DE DEMARRAGE

5700 RUNNING WATTS
VALORES DE CONTINUOS / PUISSANCE DE FONCTIONNEMENT

Fuel Selector Switch
Interruptor Selector de Combustible
Carburant Selector

NEUTRAL BONDED TO FRAME
NEUTRO CONECTADO AL BASTIDOR
NEUTRE MIS À LA DISSE À LA CHÂSSIS DU VÉHICULE



FIRMAN

12V 15Ah/20HR

CAUTION:

- Maintenance free, no water or electrolyte supply.
- Do not incinerate.
- Keep fire away and do not expose in hot environment.
- Charge the battery 4 hours by charger with 4A current, or manual-start the generator to run for several hours if the generator running time is less than 10 hours with in three months.



MH1923