

H03651

GAS: 4550 / 3650 WATT - LPG: 4100 / 3300 WATT
ELECTRIC START DUAL FUEL PORTABLE GENERATOR
EPA CARB AND cETL CERTIFIED

FIRMAN[®]
POWER EQUIPMENT

8716 WEST LUDLOW DR. SUITE #6
PEORIA, AZ 85381
1-844-347-6261
WWW.FIRMANPOWEREQUIPMENT.COM

UPC // 840876136515

GAS STARTING / RUNNING WATTS // 4550 / 3650

LPG STARTING / RUNNING WATTS // 4100 / 3300

VOLTAGE // 120V

FREQUENCY // 60Hz

ENGINE TYPE // OHV

STARTING SYSTEM // ELECTRIC / RECOIL

FUEL TANK SIZE // 5.0 GAL

RUN-TIME (GAS) // UP TO 14 HRS (@50% LOAD)

DECIBLES // 67 dB (@7m @50% LOAD)

CARTON L×W×H // 27.6" × 18.1" × 20.5"

GROSS WEIGHT // 135.5 LBS.

UNIT WEIGHT // 119.5 LBS.

UNITS PER PALLET // 16

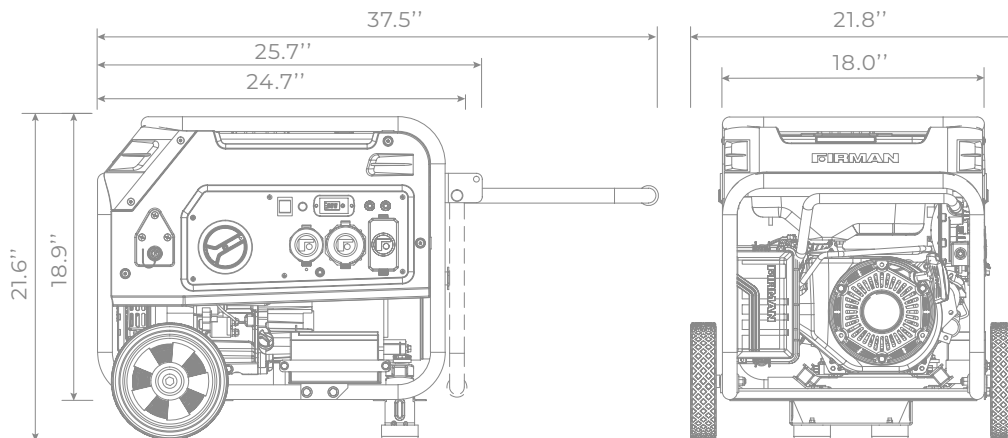
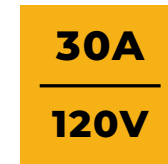
UNITS PER CONTAINER // 316 / 40HQ

CONTROL PANEL

(2) 5-20R 20A-120V

(1) TT-30R 30A-120V RV READY

(1) L5-30R 30A-120V



BEST USED FOR





FIRMAN **DUAL FUEL**

LPG INLET
LUGAR DE ENTRADA DE GAS
LUGAR DE ENTRADA DE GAS

4100 WATTS 3000 WATTS DE POTENCIA ELECTRICA ELECTRICA	4550 WATTS 3000 WATTS DE POTENCIA ELECTRICA ELECTRICA
3300 WATTS 2500 WATTS DE POTENCIA ELECTRICA ELECTRICA	3650 WATTS 2500 WATTS DE POTENCIA ELECTRICA ELECTRICA

Fuel Selector Switch
Interruptor Selector de Combustible
Controlador Selector

NEUTRAL BONDED TO FRAME
NEUTRO CONECTADO AL BASTIDOR
NEUTRO A LA BASE A LA CHAPA DE SUJECION

FIRMAN
G-DZM-9 120 1500/2000

CAUTION:
or increase when the generator is run for several hours.
If the generator running time is less than 10 hours with
in three months.

