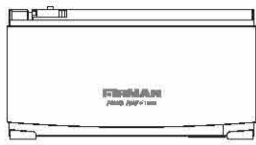


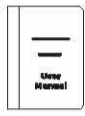


The Quick Reference Guide is not a substitute for reading the manual. The manual includes instructions that you must follow to use the product safely.

INCLUDED ITEMS



POWER PACK+1000

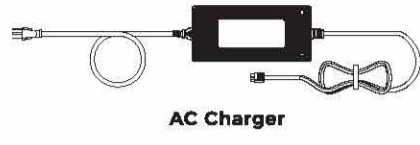


User Manual

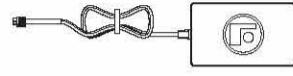


Quick Reference Guide

OPTIONAL ACCESSORIES



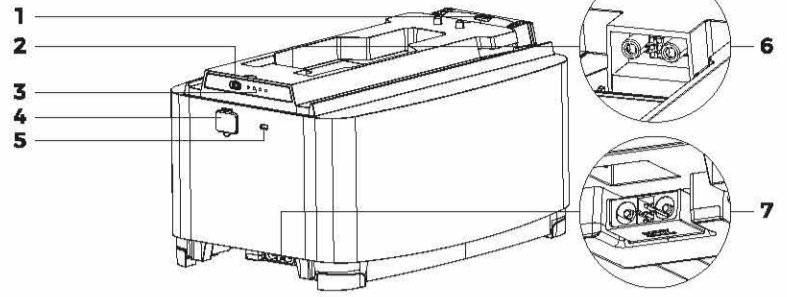
AC Charger



MPPT Solar Charger

Purchased Separately

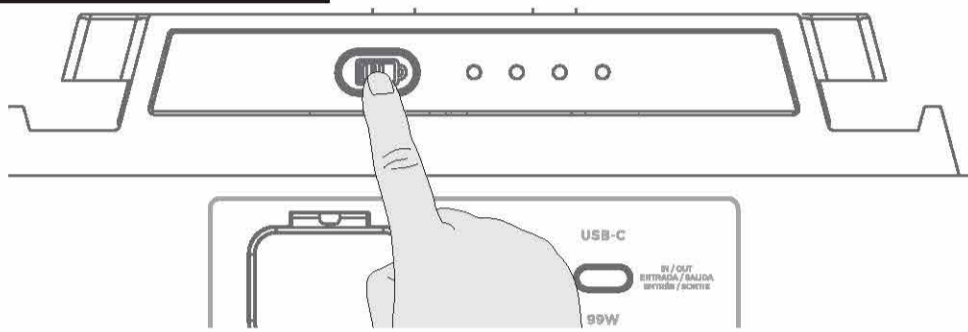
PRODUCT OVERVIEW



- 1. Telescopic Handle
- 2. Power Button
- 3. Battery Gauge Indicator
- 4. DC Input Port

- 5. USB-C Port (IN/OUT)
- 6. Expansion Port (Top)
- 7. Expansion Port (Bottom)

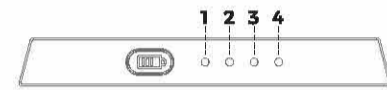
POWER ON / OFF



I/O PRESS and HOLD the Power Button for 3 seconds to turn ON/OFF the Power Pack

- When the Power Pack is connected to the Power Station, the Power button will be disabled.
- The ON/OFF of the Power Pack, in this case, will be controlled by ON/OFF of the Power Station.

BATTERY GAUGE INDICATOR

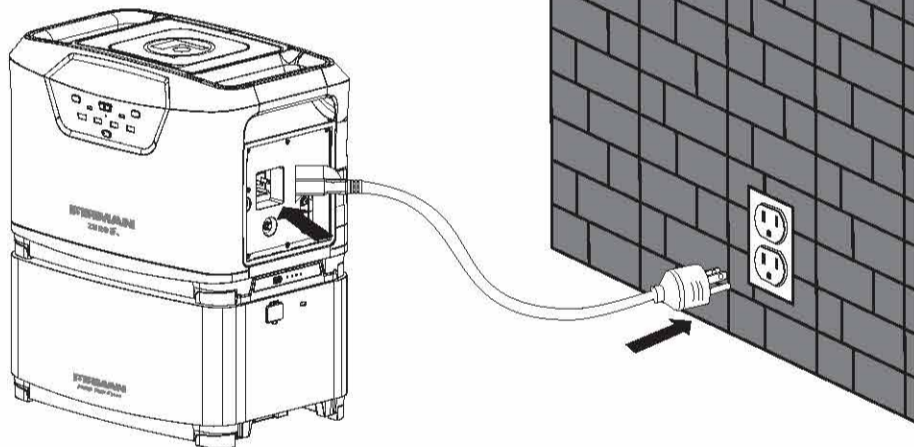


STATUS	LED 1	LED 2	LED 3	LED 4
ERROR	●	●	●	●
OUT OF BATTERY	★	●	●	●
< 25%	○	●	●	●
25% - 50%	○	○	●	●
51% - 75%	○	○	○	●
76% - FULL	○	○	○	○

● RED ○ WHITE ★ WHITE FLASHING ● DIMMED

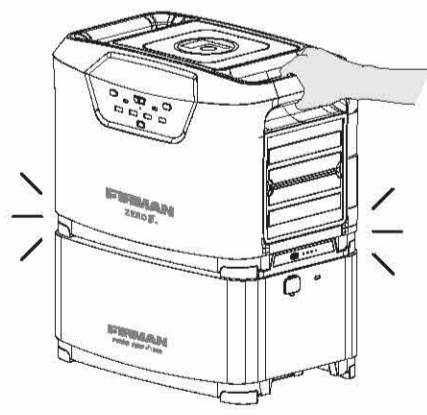
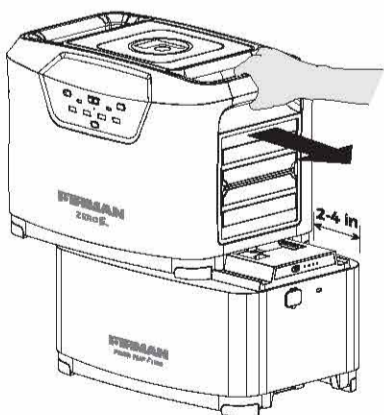
While charging, the LEDs will be lit up and dimmed in sequence showing a running effect.

CHARGE FIRST WITH THE POWER STATION

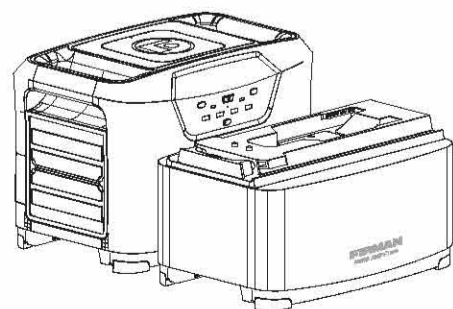
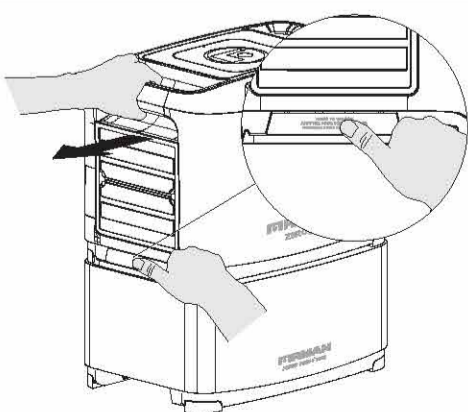


POWER PACK + 1000 PORTABLE POWER STATION STACKING GUIDE

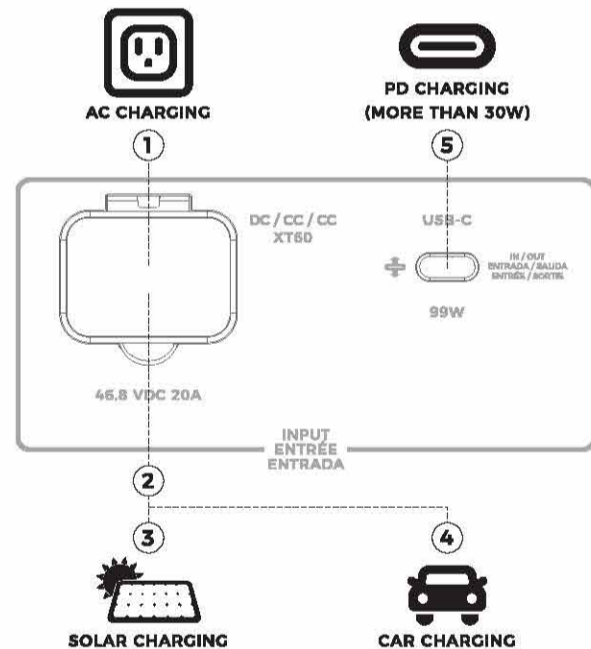
STACKING



UNSTACKING



OTHER CHARGING METHODS



①	④	⑤
②		
③	④	
OPTIONAL	PROVIDED WITH ZERO E PORTABLE POWER STATION.	NOT PROVIDED

SAFETY INSTRUCTIONS

- Use indoors only. Do not use outdoors.
- DO NOT operate in rain or near any liquids.
- DO NOT operate near any fire, furnace or in extreme heat.
- Connect AC charging only to properly grounded outlets.

NOTICE

Firman Power Equipment Inc. reserves the right to alter the content of this document without prior notice. The illustrations used in this guide may differ from the actual product.

Always turn both units off prior to Stacking or Unstacking.