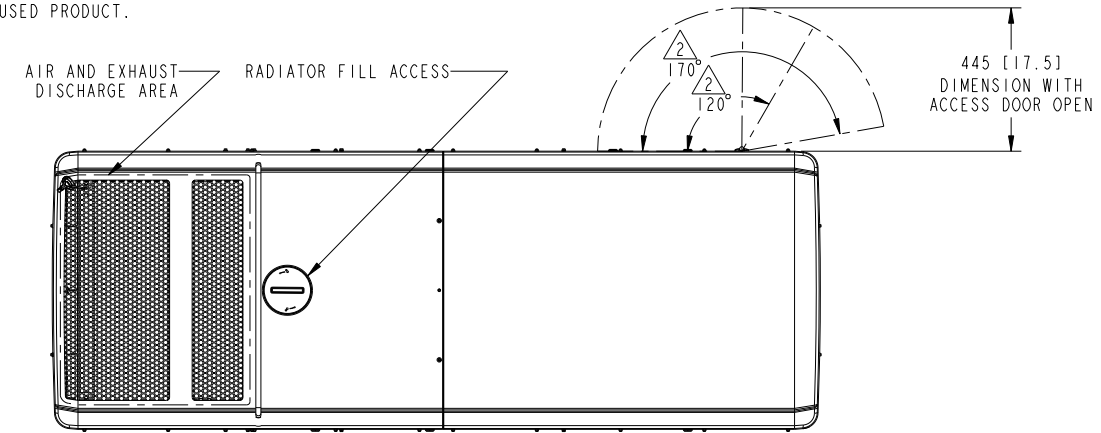


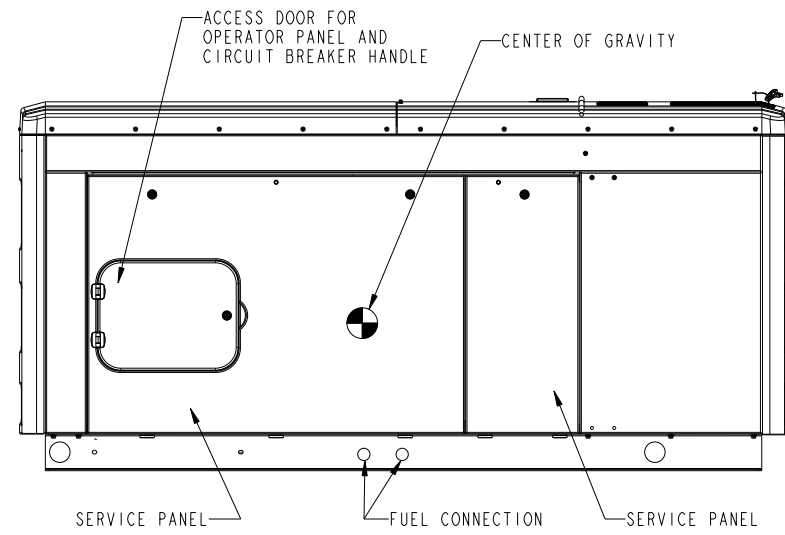
REL NO	LTR	NO	REVISION	OWN	CAD	APVD	DATE
ECO-146872	D	1	ZONE B3 ADD PHRASE "MUFFLER OUTLET"	AM	RN	R_NERADI	29SEP14
		2	ZONE A2 ADD "AIR FLOW" SYMBOL	AM	RN	R_NERADI	29SEP14
		3	SECURITY CLASSIFICATION WAS "PROPRIETARY" IN MATRIX	AM	RN	R_NERADI	29SEP14

NOTES:

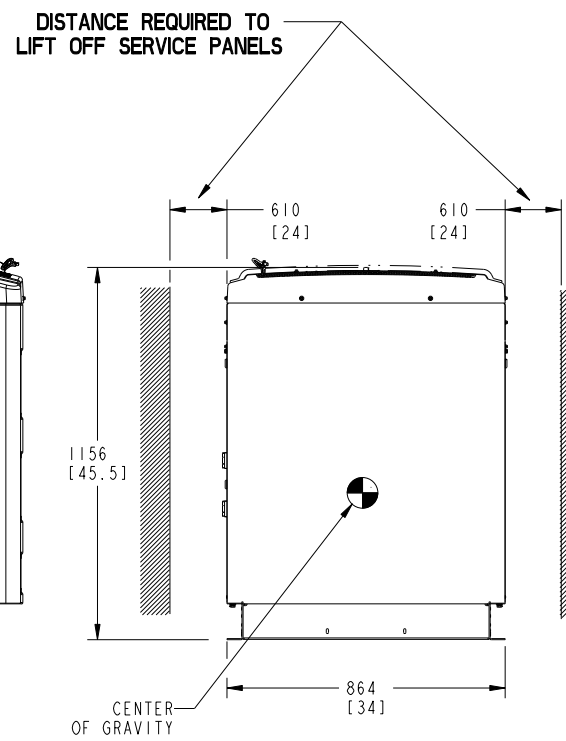
1. DIM [ ] IN INCHES
2. 120° AND 170° ARE DETENTED OPEN ANGLE FOR HINGE.
3. WHEN THE HOUSING INSTALLED ON AN OPEN GENERATOR SET, THE TOTAL WEIGHT WILL INCREASE BY 98 KG (216 LBS). THIS INCLUDES THE MUFFLER.
4. THE CENTER OF GRAVITY (CG) OF THE GENERATOR SET WHEN EQUIPPED WITH THIS HOUSING SHIFTS APPROXIMATELY 8MM (0.31 INCH) TOWARDS THE AIR DISCHARGE END OF THE HOUSING AND 38MM (1.5 INCH) HIGHER FROM THE GROUND. COMPARED TO THE EQUIVALENT NON-HOUSED PRODUCT WITH THE F179 SKID. SEE HOUSING READY SKID BASE OUTLINE DRAWING FOR CG LOCATION OF NON HOUSED PRODUCT.



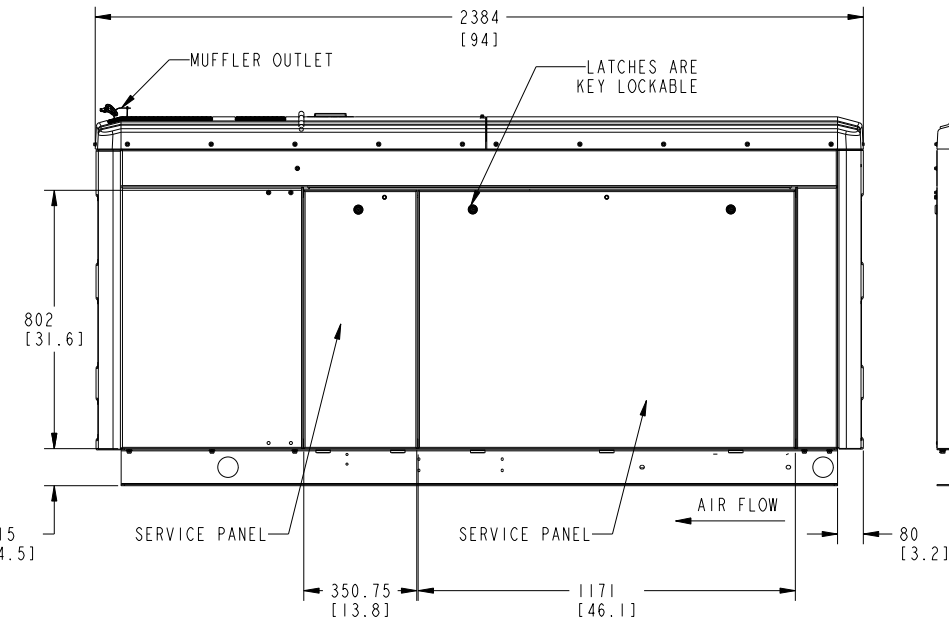
TOP VIEW



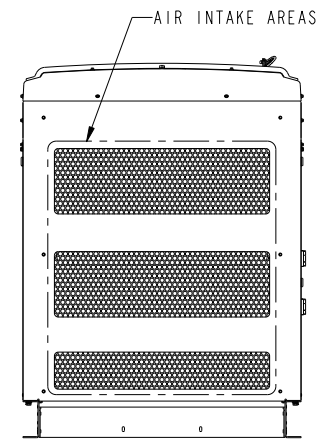
RIGHT SIDE VIEW



OUTLET VIEW



LEFT SIDE VIEW

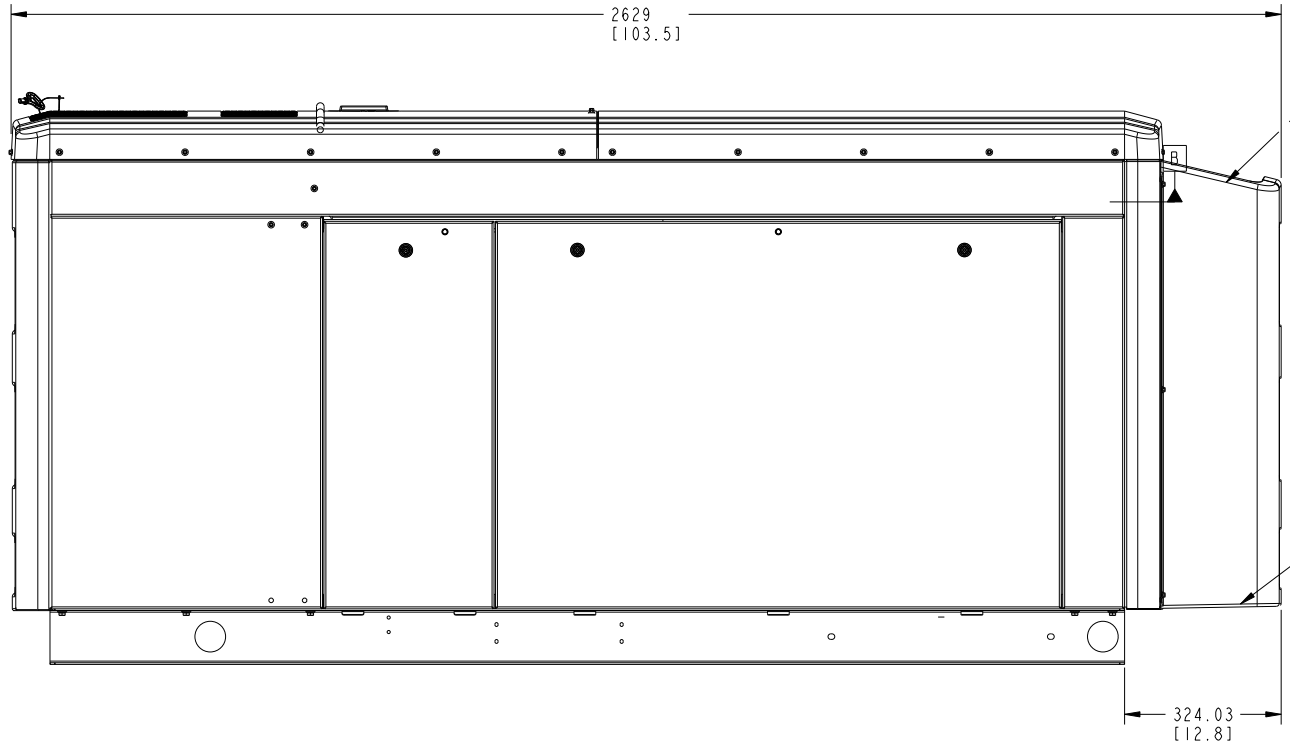
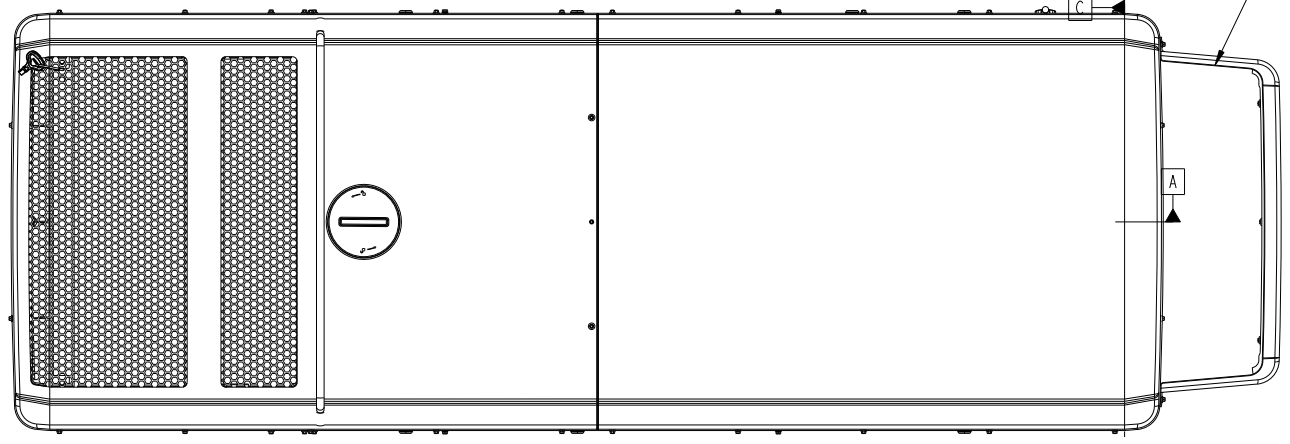


INLET VIEW

F231-2 ENCLOSURE CONFIGURATION

UNLESS OTHERWISE SPECIFIED, ALL DIMENSIONS ARE IN MILLIMETERS		SIM 10 NONE	OWN S_GAMBHIRE		CUMMINS POWER GENERATION	
DO NOT SCALE PRINT		DO NOT SCALE PRINT	CAD T_RADKE		OUTLINE, ENCLOSURE	
CH	X ± 1	0.00- 4.99 +0.15/-0.08	APVD J.MATTHEWS	SITE CODE	PGF	SHEET 1 OF 2
	.X ± 0.8	5.00- 9.99 +0.20/-0.10	DATE 17JAN13			
	.XX ± 0.38	10.00-17.49 +0.25/-0.13		ARROW	D	
		17.50-24.99 +0.30/-0.13				
ANG TOL: ± 0.5°		SCALE: 1/10	FIRST USED ON POWER GENERATION GROUP		REV D	

REL NO	LTR	NO	REVISION	OWN	CAD	APVD	DATE
ECO-146872	D	-	---	AM	RN	R_NERADI	29SEP14



**F217-2 ENCLOSURE CONFIGURATION**

REFER TO PAGE 1 (F231-2 ENCLOSURE) FOR OTHER F217-2 ENCLOSURE DIMENSIONS.

UNLESS OTHERWISE SPECIFIED, ALL DIMENSIONS ARE IN MILLIMETERS		SIM 10 NONE	OWN S_GAMBHIRE		CUMMINS POWER GENERATION	
DO NOT SCALE PRINT		CAD T_RADKE	APVD J_MATTHEWS		OUTLINE, ENCLOSURE	
CH	TOL	DATE 17JAN13	DATE 17JAN13	SITE CODE	PGF	SHEET 2 OF 2
ANG TOL: ± 0.5°		SCALE: 1/10	FOR INTERPRETATION OF DIMENSIONS AND TOLERANCING, SEE ASME Y14.5M-1994	ARROW	D	REV D

**Part A043J729 D**

Description	Legacy Name	External Regulations	Application Status	Release Phase Code	Security Classification	Alternates
OUTLINE,ENCLOSURE	A043J729	None	Production Only	Production	Public	

**Part Specifications :A043J729 D**

Name	Description	Legacy Name
A030B356	SPECIFICATION,MATERIAL	CES10903
A043J730	DRAWING,ENGINEERING	A043J730