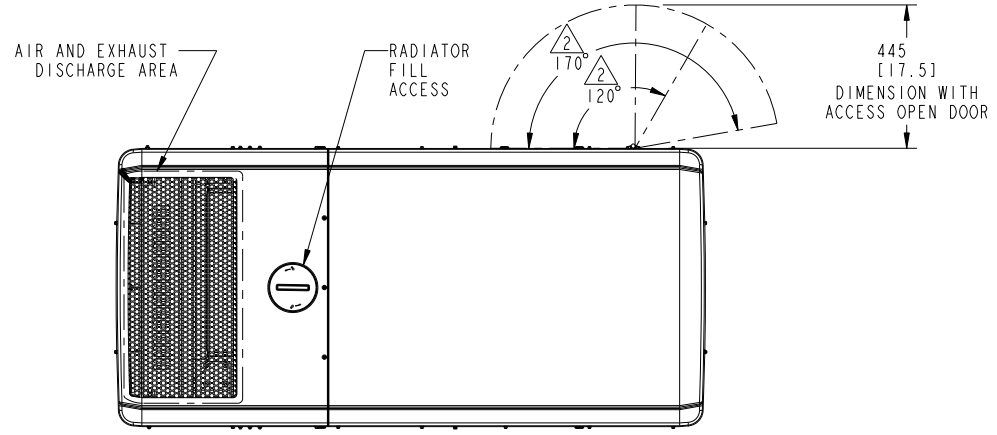
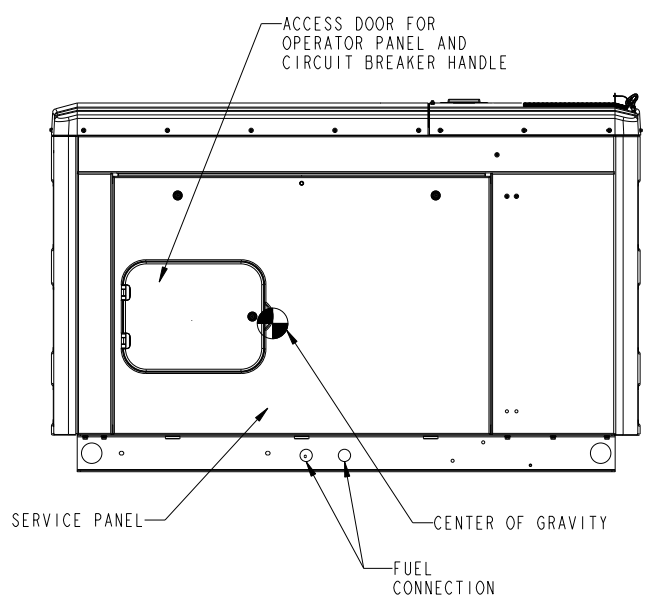


REL NO	LTR	NO	REVISION	OWN	CAD	APVD	DATE
ECO-146872	D	1	ZONE B3 ADD PHRASE "MUFFLER OUTLET"	AM	RN	R_NERADI	29SEP14
		2	ZONE A2 ADD "AIR FLOW" SYMBOL	AM	RN	R_NERADI	29SEP14
		3	ZONE C3 PHRASE "AIR --- AREA" WAS	-	-	-	-
			"RADIATOR --- ACCESS"	AM	RN	R_NERADI	29SEP14
		4	ZONE C2 PHRASE "RADIATOR --- ACCESS"	-	-	-	-
			WAS "AIR --- AREA"	AM	RN	R_NERADI	29SEP14
		5	SECURITY CLASSIFICATION WAS "PROPRIETARY" IN MATRIX	AM	RN	R_NERADI	29SEP14

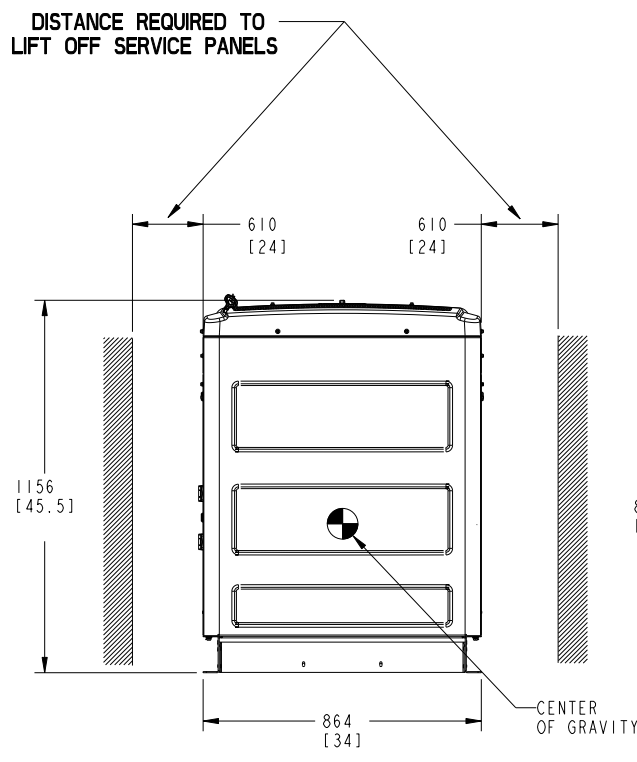
- NOTES:
1. DIM [ ] IN INCHES
  2.  $\Delta$  120° AND 170° ARE DETENTED OPEN ANGLE OF HINGE.
  3. WHEN HOUSING IS INSTALLED ON AN OPEN GENERATOR SET, THE TOTAL WEIGHT WILL INCREASE BY 84 KG (185 LBS). THIS INCLUDES THE MUFFLER.
  4. THE CENTER OF GRAVITY (CG) OF THE GENERATOR SET WHEN EQUIPPED WITH THIS HOUSING SHIFTS APPROXIMATELY 51MM (2 INCH) TOWARDS THE AIR DISCHARGE END OF HOUSING AND 42MM (1.5 INCH) FROM THE GROUND, COMPARED TO THE EQUIVALENT NON-HOUSED PRODUCT WITH THE F179 SKID. SEE HOUSING READY SKID BASE OUTLINE DRAWING FOR CG LOCATION OF NON HOUSED PRODUCT.



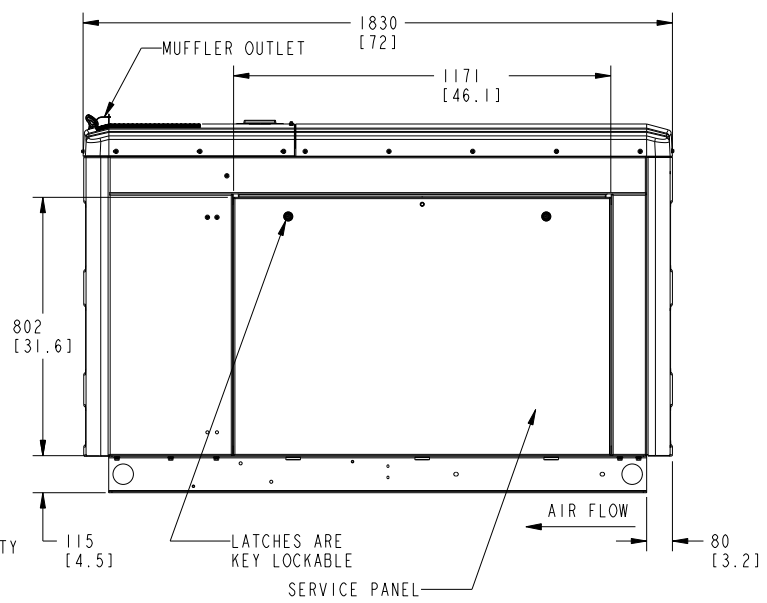
TOP VIEW



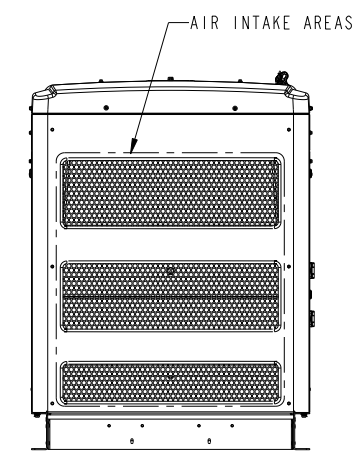
RIGHT SIDE VIEW



OUTLET VIEW



LEFT SIDE VIEW

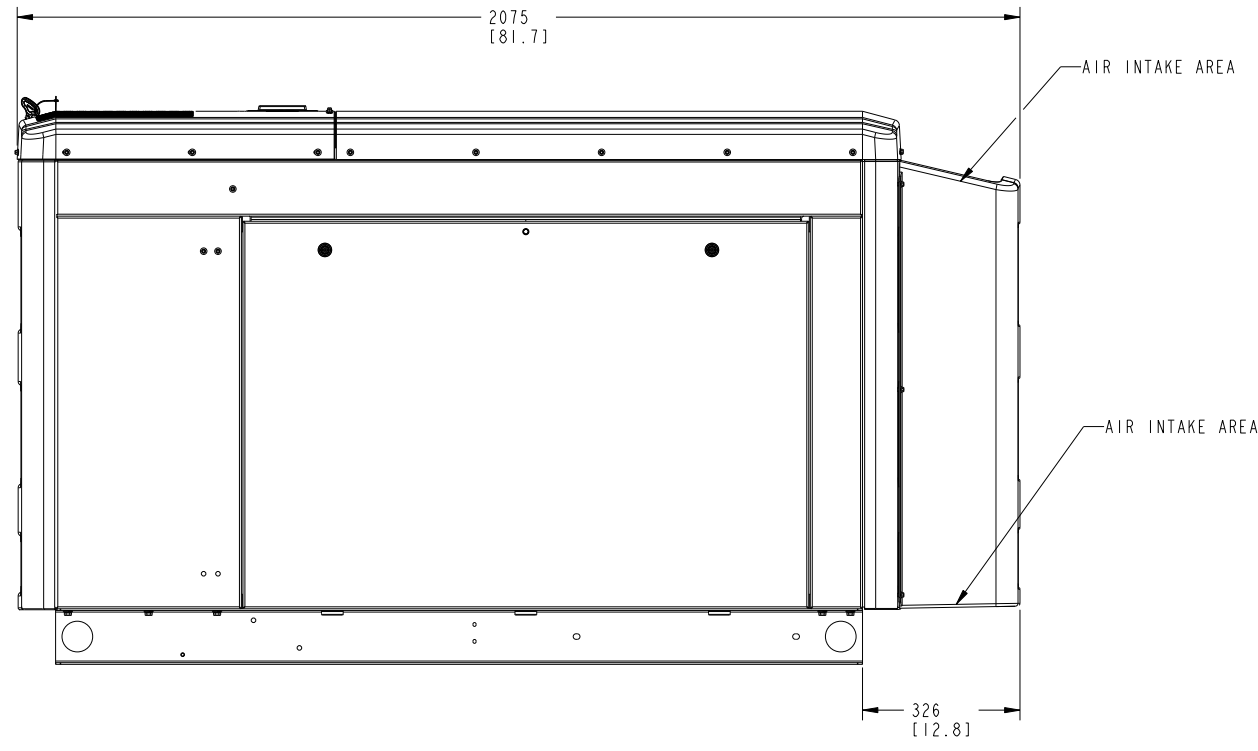
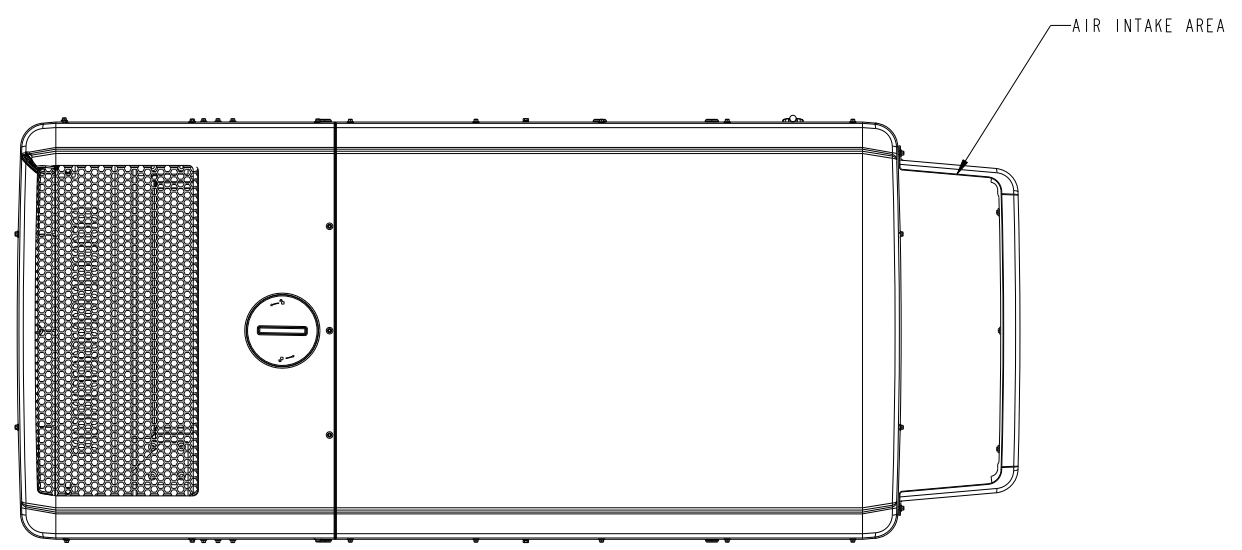


INLET VIEW

F231-2 ENCLOSURE CONFIGURATION

UNLESS OTHERWISE SPECIFIED, ALL DIMENSIONS ARE IN MILLIMETERS		SIM 10 NONE	OWN S_GAMBHIRE	CUMMINS POWER GENERATION
DO NOT SCALE PRINT		CAD T_RADKE	CAD T_RADKE	
CH	X ± 1	0.00- 4.99 +0.15/-0.08	APVD J.MATTHEWS	OUTLINE, ENCLOSURE
	.X ± 0.8	5.00- 9.99 +0.20/-0.10	DATE 17JAN13	
	.XX ± 0.38	10.00-17.49 +0.25/-0.13	SITE CODE	PGF
		17.50-24.99 +0.30/-0.13	ARROW	
ANG TOL:	± 0.5°	SCALE: 1/10	FOR INTERPRETATION OF DIMENSIONS AND TOLERANCING, SEE ASME Y14.5M-1994	PGF
			PROPERTY OF CUMMINS POWER GENERATION GROUP	REV D
			FIRST USED ON	A043U604
			POWER GENERATION GROUP	SHEET 1 OF 2

REL NO	LTR	NO	REVISION	DWN	CAD	APVD	DATE
ECO-146872	D	-	---	AM	RN	R_NERADI	29SEP14



**F217-2 ENCLOSURE CONFIGURATION**

REFER TO PAGE 1 (F231-2 ENCLOSURE) FOR OTHER F217-2 ENCLOSURE DIMENSIONS.

UNLESS OTHERWISE SPECIFIED, ALL DIMENSIONS ARE IN MILLIMETERS		SIM 10	NONE	DWN	S_GAMBHIRE		CUMMINS POWER GENERATION	
DO NOT SCALE PRINT				CAD	T_RADKE		OUTLINE, ENCLOSURE	
DIM	X ± 1	0.00- 4.99	+0.15/-0.08	APVD	J_MATTHEWS	SITE CODE	PGF	SHEET 2 OF 2
	.X ± 0.8	5.00- 9.99	+0.20/-0.10	DATE	17JAN13			
	.XX ± 0.38	10.00-17.49	+0.25/-0.13					
ANG TOL: ± 0.5°		SCALE:	1 / 10	- CONFIDENTIAL - PROPERTY OF CUMMINS POWER GENERATION GROUP		FOR INTERPRETATION OF DIMENSIONS AND TOLERANCING, SEE ASME Y14.5M-1994	FIRST USED ON ARROW	SHEET 2 OF 2 REV D

**Part A043U604 D**

Description	Legacy Name	External Regulations	Application Status	Release Phase Code	Security Classification	Alternates
OUTLINE,ENCLOSURE	A043U604	None	Production Only	Production	Public	

**Part Specifications :A043U604 D**

Name	Description	Legacy Name
A030B356	SPECIFICATION,MATERIAL	CES10903
A043U605	DRAWING,ENGINEERING	A043U605