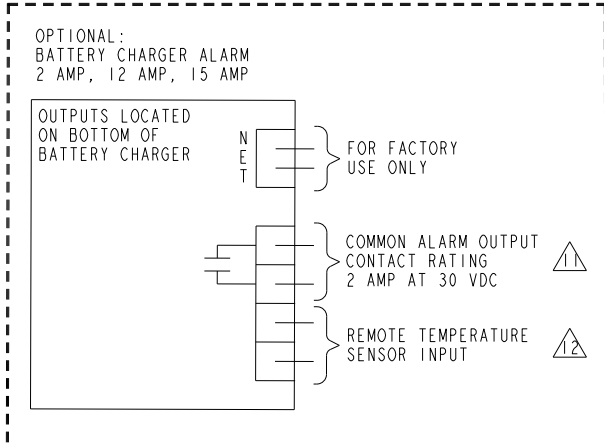
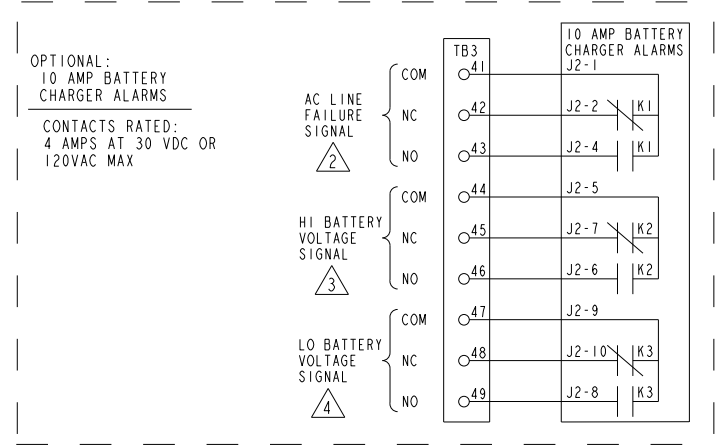
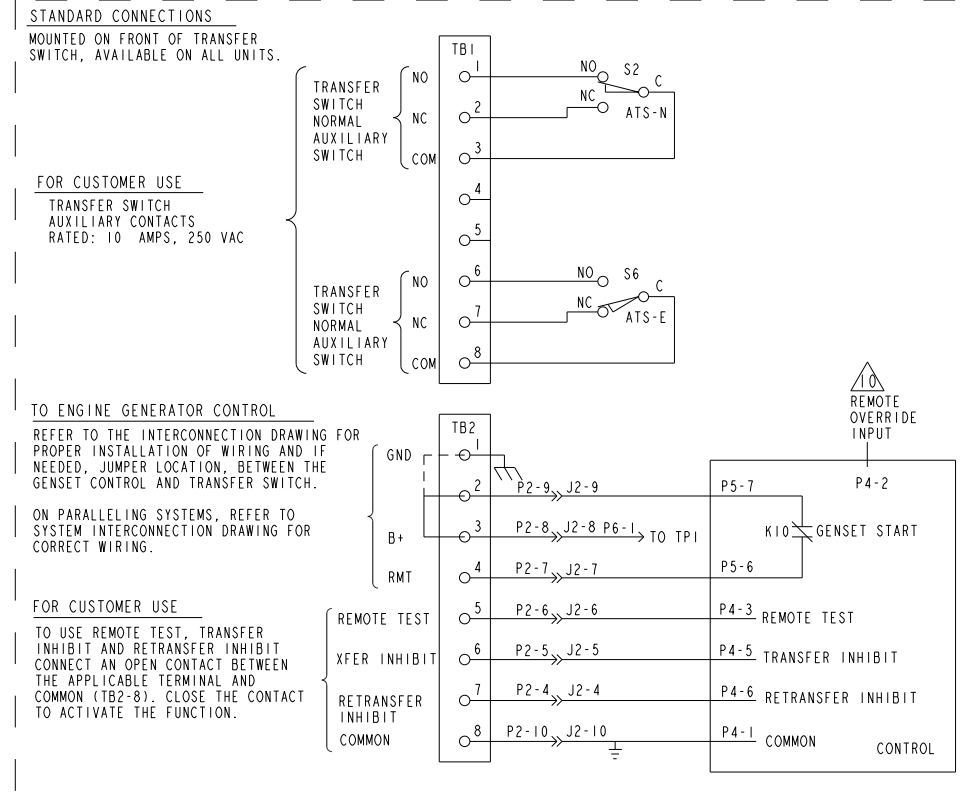


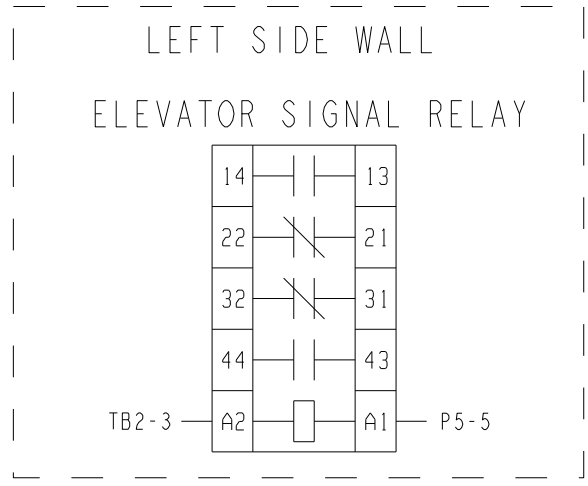
REL NO	LTR	NO	REVISION	ZONE	OWN	CAD	APVD	DATE
ECO-125747	G	1	SEE SHEET 3		GAC	AMG	S.LEWIS	15MAY12

CUSTOMER CONNECTIONS



- NOTES:
- TB1 AND TB2 ARE MOUNTED ON THE FRONT OF THE TRANSFER SWITCH. TB3 IS MOUNTED ON THE LEFT INSIDE PANEL OF THE ENCLOSURE.
  - SHOWN WITH SOURCE NOT CONNECTED.
  - SHOWN UNDER NORMAL BATTERY VOLTAGE CONDITION. CONTACTS TRANSFER UNDER A HIGH BATTERY VOLTAGE CONDITION.
  - SHOWN UNDER A LOW BATTERY VOLTAGE CONDITION.
  - SEE SHEET 2
  - SEE SHEET 2
  - SEE SHEET 3.
  - SEE SHEET 4.
  - SEE SHEET 4.
  - REMOTE OVERRIDE INPUT CONNECT AN OPEN CONTACT BETWEEN P4-2 & TB2-8.
  - THE FOLLOWING WILL CAUSE A BATTERY CHARGER ALARM OUTPUT.  
LOW BATTERY VOLTAGE  
HIGH BATTERY VOLTAGE  
LOW AC INPUT VOLTAGE  
HIGH AC INPUT VOLTAGE  
OVERCURRENT  
HIGH CHARGER TEMPERATURE  
BATTERY FAILURE  
HIGH BATTERY TEMPERATURE:  
NOT AVAILABLE ON 2 AMP CHARGER
  - USE THE INVERTER REMOTE TEMPERATURE PROBE. (PART NO. 0193-0530)
  - SEE SHEET 2.
  - ELEVATOR SIGNAL RELAY SHOWN DE-ENERGIZED. RELAY CHANGES STATE WHEN THE ELEVATOR TRANSFER TIME DELAY (TDEL) STARTS.

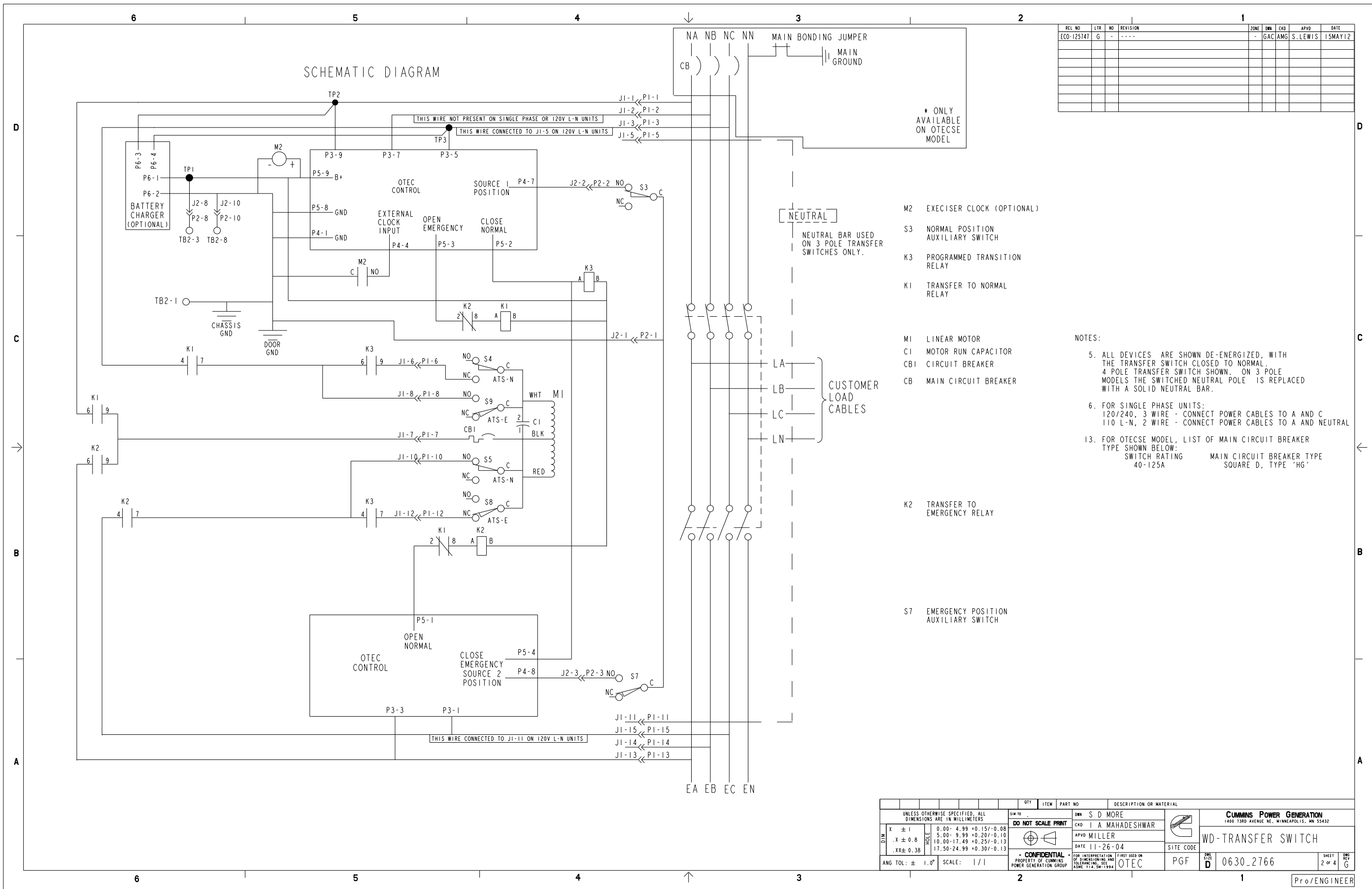
CUSTOMER CONNECTIONS



UTILITY TO GENSET  
3 AND 4 POLE  
OTEC 40-600 AMP & OTECSE 40-125 AMP  
120 VOLT 1 PHASE L-N  
240 VOLT 1 PHASE  
190 VOLT 3 PHASE  
208 VOLT 3 PHASE  
220 VOLT 3 PHASE  
240 VOLT 3 PHASE  
380 VOLT 3 PHASE  
415 VOLT 3 PHASE  
440 VOLT 3 PHASE  
480 VOLT 3 PHASE

OPTIONS:  
BATTERY CHARGER  
BATTERY CHARGER ALARMS  
EXECISER CLOCK  
ELEVATOR RELAY

QTY	ITEM	PART NO	DESCRIPTION OR MATERIAL
UNLESS OTHERWISE SPECIFIED, ALL DIMENSIONS ARE IN MILLIMETERS			
DO NOT SCALE PRINT			
SHEET NO		SHEET 1 OF 4	
DATE		11-26-04	
SCALE		1/1	
ANG TOL		± 1.0°	
PROPERTY OF CUMMINS POWER GENERATION GROUP		FIRST USED ON OTEC	
CUMMINS POWER GENERATION 1400 73RD AVENUE NE, MINNEAPOLIS, MN 55432		PGF D	
WD-TRANSFER SWITCH		0630_2766	



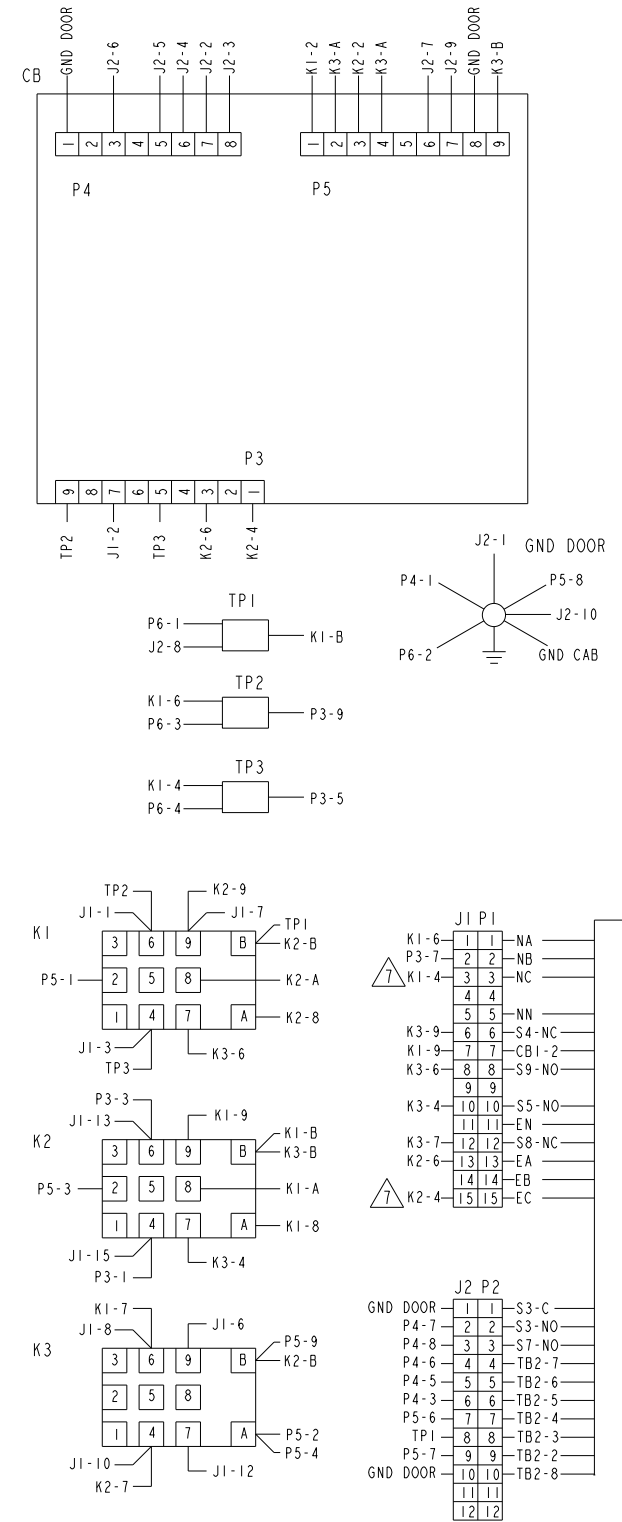
UNLESS OTHERWISE SPECIFIED, ALL DIMENSIONS ARE IN MILLIMETERS	QTY	ITEM	PART NO	DESCRIPTION OR MATERIAL
X ± 1 .X ± 0.8 .XX ± 0.38 ANG TOL: ± 1.0°	SIM 10	DO NOT SCALE PRINT	OWN S D MORE	CUMMINS POWER GENERATION 1400 73RD AVENUE NE, MINNEAPOLIS, MN 55432
			CAD I A MAHADESHWAR	WD-TRANSFER SWITCH
			APVD MILLER	SITE CODE
			DATE 11-26-04	
			CONFIDENTIAL PROPERTY OF CUMMINS POWER GENERATION GROUP	FOR INTERPRETATION OF DIMENSIONS AND TOLERANCING, SEE ASME Y14.5M-1994
			FIRST USED ON OTEC	PGF
			SCALE: 1/1	DWG NO: 0630_2766
				SHEET 2 OF 4

REL NO	LTR	NO	REVISION	ZONE	OWN	CAD	APVD	DATE
ECO-125747	G	1	REVISED NOTE 7, P3-7 WAS TB11-4	IC	GAC	AMG	S.LEWIS	15MAY12

REAR VIEW OF DOOR

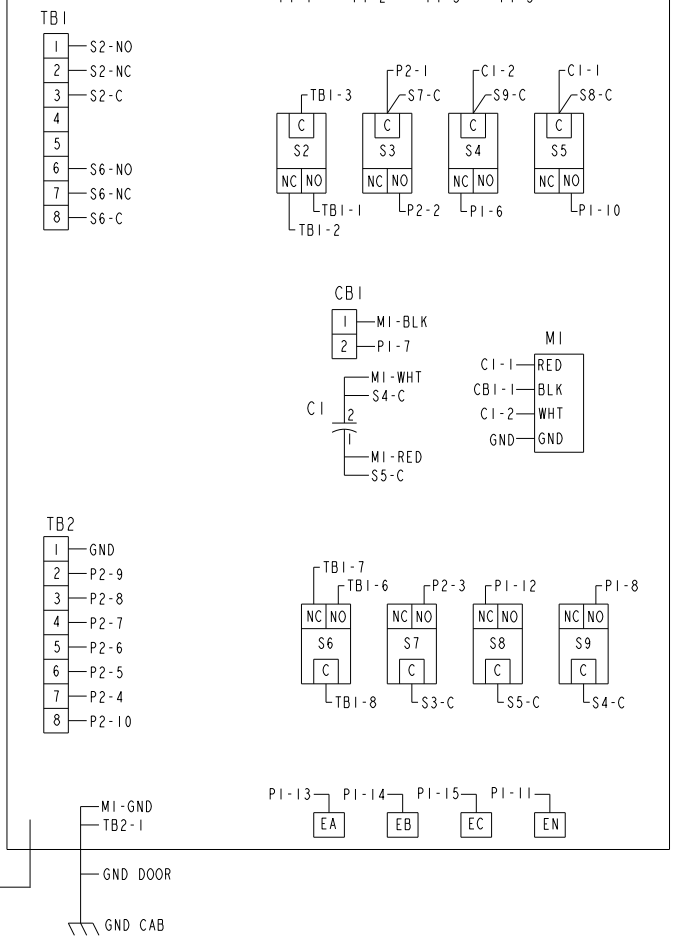
STANDARD WIRING

REAR WALL OF CABINET



LEFT SIDEWALL

TRANSFER SWITCH



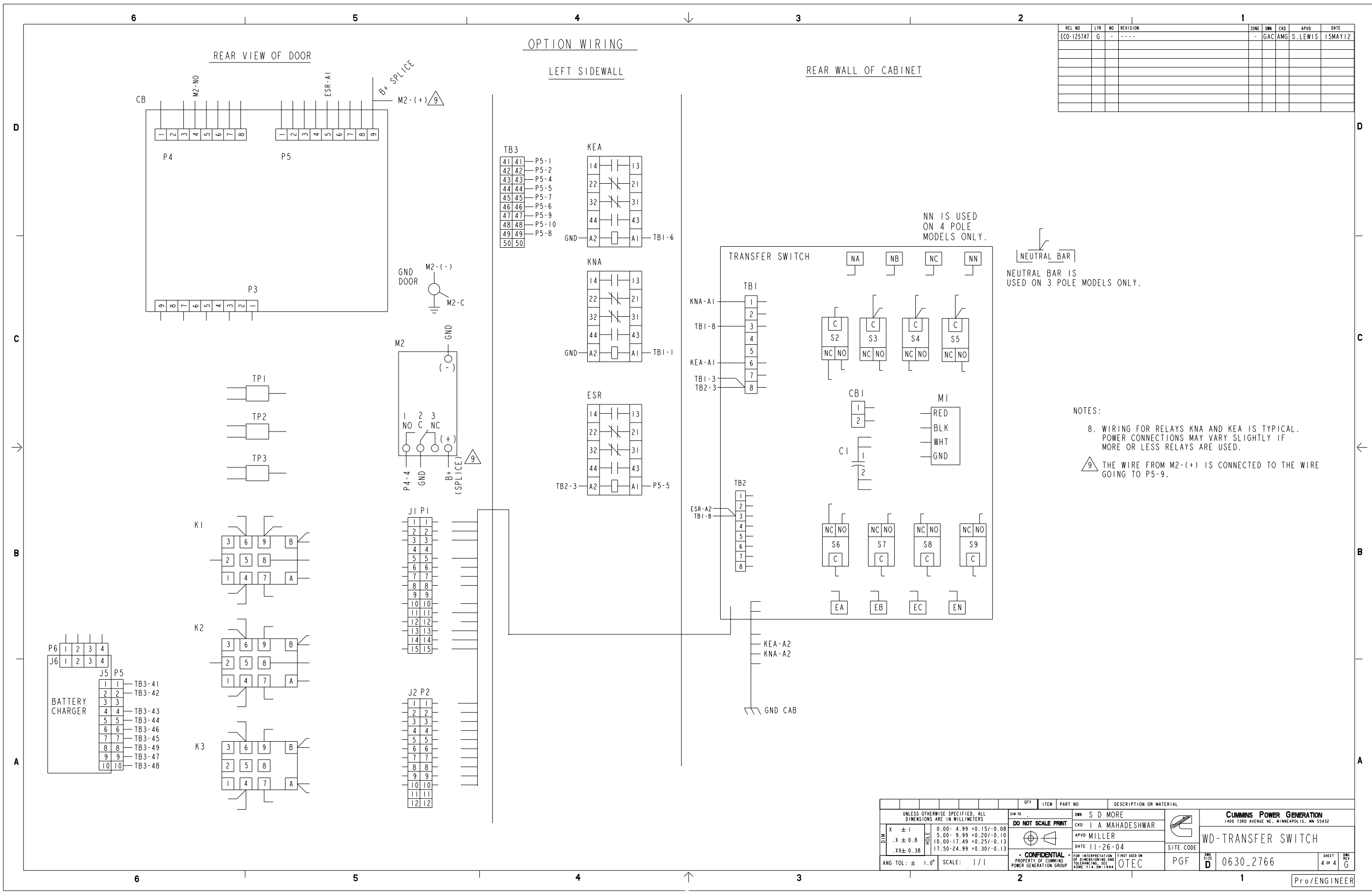
PI-5  
PI-11  
NEUTRAL BAR  
NEUTRAL BAR IS USED ON 3 POLE MODELS ONLY.

NOTES:

⚠ ON ALL SINGLE PHASE, 2 OR 3 WIRE UNITS: THE WIRE CONNECTED FROM J1-2 TO P3-7 IS NOT PRESENT.

IN ADDITION, ON 120 VOLT L-N, 2 WIRE UNITS: THE WIRE CONNECTED FROM K1-4 TO J1-3 WILL BE CONNECTED FROM K1-4 TO J1-5 AND THE WIRE CONNECTED FROM K2-4 TO J1-15 WILL BE CONNECTED FROM K2-4 TO J1-11.

UNLESS OTHERWISE SPECIFIED, ALL DIMENSIONS ARE IN MILLIMETERS		SIM 10		DESCRIPTION OR MATERIAL	
X ± 1	0.00- 4.99 +0.15/-0.08	DO NOT SCALE PRINT	OWN S D MORE	CUMMINS POWER GENERATION 1400 73RD AVENUE NE, MINNEAPOLIS, MN 55432	
.X ± 0.8	5.00- 9.99 +0.20/-0.10		CND I A MAHADESHWAR	WD-TRANSFER SWITCH	
.XX ± 0.38	10.00-17.49 +0.25/-0.13		APVD MILLER	SITE CODE	
ANG TOL: ± 1.0°	17.50-24.99 +0.30/-0.13	CONFIDENTIAL	DATE 11-26-04	PGF	
SCALE: 1/1		PROPERTY OF CUMMINS POWER GENERATION GROUP	FIRST USED ON OTEC	0630_2766	
				SHEET 3 OF 4	



REL NO	LTR	NO	REVISION	ZONE	OWN	CAD	APVD	DATE
ECO-125747	G	-	----	-	GAC	AMG	S. LEWIS	15MAY12

NOTES:

8. WIRING FOR RELAYS KNA AND KEA IS TYPICAL. POWER CONNECTIONS MAY VARY SLIGHTLY IF MORE OR LESS RELAYS ARE USED.

9. THE WIRE FROM M2-(-) IS CONNECTED TO THE WIRE GOING TO P5-9.

UNLESS OTHERWISE SPECIFIED, ALL DIMENSIONS ARE IN MILLIMETERS		QTY	ITEM	PART NO	DESCRIPTION OR MATERIAL
X	± 1				
.X	± 0.8				
.XX	± 0.38				
ANG TOL: ± 1.0°		SCALE: 1/1			

SIM 10 <b>DO NOT SCALE PRINT</b> 	DWN S D MORE CND I A MAHADESHWAR APVD MILLER DATE 11-26-04		<b>CUMMINS POWER GENERATION</b> 1400 73RD AVENUE NE, MINNEAPOLIS, MN 55432 <b>WD-TRANSFER SWITCH</b> SITE CODE
<b>CONFIDENTIAL</b> PROPERTY OF CUMMINS POWER GENERATION GROUP	FOR INTERPRETATION OF DIMENSIONS AND TOLERANCING, SEE ASME Y14.5M-1994	FIRST USED ON OTEC	SHEET 4 OF 4 REV G

**Part A007N412 G**

Description	Legacy Name	External Regulations	Application Status	Release Phase Code	Security Classification	Alternates
DIAGRAM,WIRING	0630-2766	None	Production Only	Production	Public	

**Part Specifications :A007N412 G**

Name	Description	Legacy Name
A030B356	SPECIFICATION,MATERIAL	CES10903
A014L320	DRAWING,WIRING SCHEMATIC	0630-2766