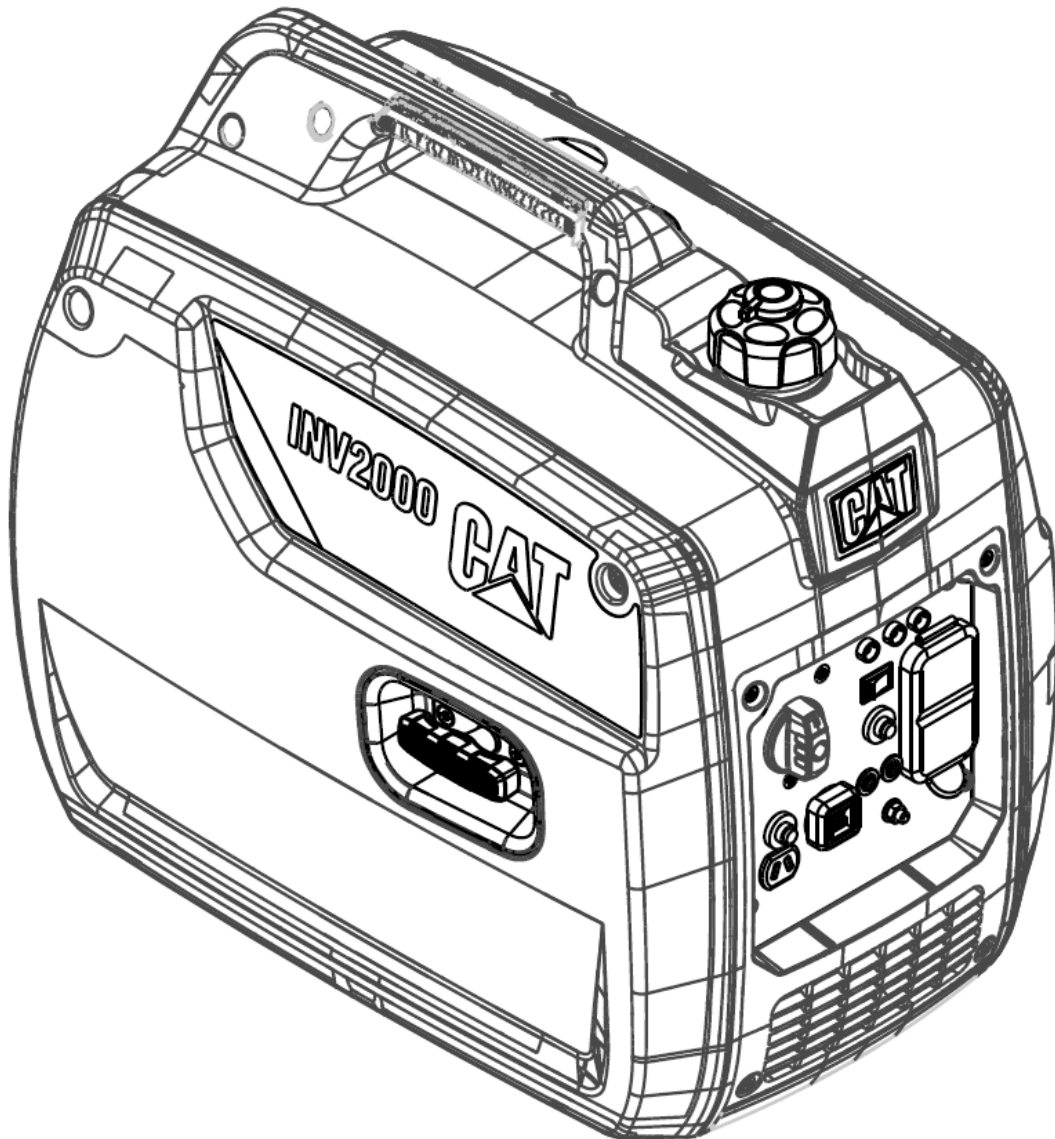



Service Manual

INV2000 Portable Generator



Important Safety Information

Most accidents that involve product operation, maintenance and repair are caused by failure to observe basic safety rules or precautions. An accident can often be avoided by recognizing potentially hazardous situations before an accident occurs. A person must be alert to potential hazards, including human factors that can affect safety. This person shall also have the necessary training, skills and tools to perform these functions properly.

Safety precautions and warnings are provided in this manual and on the product. If these hazard warnings are not heeded, bodily injury or death could occur to you or to other persons. The hazards are identified by the "Safety Alert Symbol"  followed by a "Signal Word" such as "DANGER", "WARNING" or "CAUTION".

Caterpillar cannot anticipate every possible circumstance that might involve a potential hazard. The warnings in this publication and on the product are, therefore, not all inclusive. You must not use this product in any manner different from that considered by this manual without first satisfying yourself that you have considered all safety rules and precautions applicable to the operation of the product in the location of use, including site-specific rules and precautions applicable to the worksite. If a tool, procedure, work method or operating technique that is not specifically recommended by Caterpillar is used, you must satisfy yourself that it is safe for you and for others. You should also ensure that you are authorized to perform this work, and that the product will not be damaged or become unsafe by the operation, lubrication, maintenance or repair procedures that you intend to use.

The information, specifications, and illustrations in this publication are on the basis of information that was available at the time that the publication was written. The specifications, torques, pressures, measurements, adjustments, illustrations, and other items can change at any time. These changes can affect the service that is given to the product. Obtain the complete and most current information before you start any job.

In the United States, the maintenance, replacement, or repair of the emission control devices and systems may be performed by any repair establishment or individual of the owner's choosing.

This manual contains safety, maintenance, troubleshooting, and disassembly and assembly information. This manual should be stored near the product. Read, study and keep it with the literature and product information.

California Proposition 65 Warning


 WARNING
<p>This product and its related accessories can expose you to chemicals including benzene which is known to the State of California to cause cancer and birth defects or other reproductive harm. For more information go to www.P65Warnings.ca.gov. To reduce the risk of these health hazards, avoid inhaling oil and gasoline fumes and engine exhaust. Wash hands after use.</p>

Table of Contents

California Proposition 65 Warning	2
SAFETY MESSAGES	5
Additional Messages	6
Special Requirements.....	6
COMPONENT IDENTIFICATION.....	7
Engine Type & Serial Number.....	8
Maintenance	9
Regularly Scheduled Maintenance	9
Special Tools.....	9
Maintenance and Service Procedures.....	10
Air Filter – Check.....	10
Camshaft – Inspect/Replace.....	10
Carburetor – Inspect/Adjust.....	11
Control Panel – Service.....	12
Crankshaft – Inspect/Replace.....	13
Cylinder Pressure – Check.....	13
Engine Oil Level – Check	13
Engine Oil – Change.....	14
Engine Valve – Inspect/Replace.....	14
Fuel Line and Filter – Replace.....	17
Fuel Tank Cap and Strainer – Clean	18
Generator - Inspect.....	18
High Altitude Kits	18
Muffler – Inspect/Replace	18
Spark – Check.....	19
Spark Arrestor - Inspect/Clean/Replace	19
Spark Plug – Inspect/Adjust/Replace.....	19
Walk-Around Inspection	20
Windings – Test.....	20
STORAGE	21
Storage for 1 to 3 months	21
Storage for more than 3 months	21
DIAGRAMS.....	22
Air Cleaner Housing	22
Alternator.....	23
Carburetor	24
Control Panel.....	26

Crankcase and Piston	27
Cylinder Head and Valves	28
Flywheel	30
Fuel Tank	31
Muffler	32
Recoil Starter.....	33
TROUBLESHOOTING	34
APPENDIX.....	37
Product Specifications	37
Maintenance Specifications	38
Electrical Schematic	39

SAFETY MESSAGES

There may be several specific safety messages on your generator. Please become familiar with all safety messages.

Ensure that all of the safety messages are legible. Clean the safety messages or replace the safety messages if the words cannot be read or if the illustrations are not visible. Use a cloth, water, and soap to clean the safety messages. Do not use solvents, gasoline, or other harsh chemicals. Solvents, gasoline, or harsh chemicals could loosen the adhesive that secures the safety messages.

Replace any safety message that is damaged or missing. If a safety message is attached to a part of the generator that is replaced, install a new safety message on the replacement part.



Read the Manual

WARNING

Do not operate or work on this generator unless you have read and understand the instructions and warnings in the Owner's Manual. Failure to follow the instructions or heed the warnings could result in injury or death. Proper care is your responsibility.

Hot Surface / Do Not Touch / Flammable Material



WARNING

Hot parts or hot components can cause burns or personal injury. Do not allow hot parts or components to contact your skin. Use protective clothing or protective equipment to protect your skin. Hot exhaust presents a potential fire hazard. Be sure that nothing flammable is within 3 meters of the exhaust.



Carbon Monoxide

DANGER

Using a generator indoors **CAN KILL YOU IN MINUTES.**

Generator exhaust contains carbon monoxide. This is a poison you cannot see or smell.



NEVER use inside a home or garage, **EVEN IF** doors and windows are open.



Only use **OUTSIDE** and far away from windows, doors, and vents.

DANGER

Utiliser un générateur à l'intérieur **PEUT VOUS TUER EN QUELQUES MINUTES.** Les gaz d'échappement du générateur contiennent du monoxyde de carbone. C'est un gaz toxique invisible et inodore.

- **NE JAMAIS** utiliser à l'intérieur d'une maison ou d'un garage, **MÊME SI** les portes et les fenêtres sont ouvertes.
- Utiliser **UNIQUEMENT** à l'**EXTÉRIEUR** et loin des fenêtres, portes et ventilations.

PELIGRO

Si usa un generador en interiores, **MORIRA EN POCOS MINUTOS.** El escape del generador contiene monóxido de carbono. Es un veneno que no tiene olor ni se puede ver.

- **NUNCA** lo use dentro de una casa o garaje. **AUN** si las puertas y ventanas están abiertas.
- Sólo úselo en **EXTERIORES** y lejos de ventanas, puertas y ductos de ventilación.

Operating a generator indoors can kill you in minutes. Generator exhaust contains carbon monoxide. Carbon monoxide is a poison that you cannot see or smell. Never operate a generator inside a home or garage, even if doors and windows are open. Only operate a generator outdoors and away from windows, doors, and vents. If anyone experiences dizziness, headaches, nausea, or tiredness get to fresh air immediately and seek medical attention.



Electrocution

DANGER

Shock/Electrocution Hazard: Do not operate this equipment or work on this equipment unless you have read and understand the instructions and warnings in the Owner's Manual. Failure to follow the instructions or heed the warnings will result in serious injury or death.

⚠ WARNING

Operation of this equipment may create sparks that can start fires around dry vegetation. A spark arrester may be required. The operator should contact local fire agencies for laws or regulations relating to fire prevention requirements.

California Health and Safety Code 119080

⚠ WARNING

Electrical backfeed into a utility's distribution system can cause property damage, severe injury, or death.

Do not connect generator to a building's electrical system until after the building's main switch has been used to isolate the building from the utility power system. For permanent installations, connection shall only be by means of a double throw switch as to isolate the building from utility power system. Consult a qualified technician for proper use and installation. Comply with all applicable laws and electrical codes.

Additional Messages

	Do not operate in wet conditions
	No smoking, no exposed flames, no sparks.
	Maintain a minimum distance of 5 feet (1.5 meters) from other objects.
	Ensure that the unit is properly grounded.
	Earth ground connection

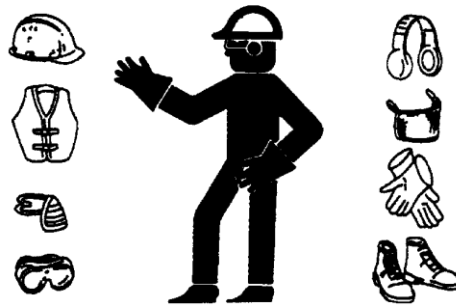
Special Requirements

Electrical equipment, including lines and plug connections should be covered and protected from moisture.

In any generator set installation, the frame of the generator must be connected to an earth ground. A ground terminal is provided.

The INV2000 has a permanent neutral conductor bonded to the frame.

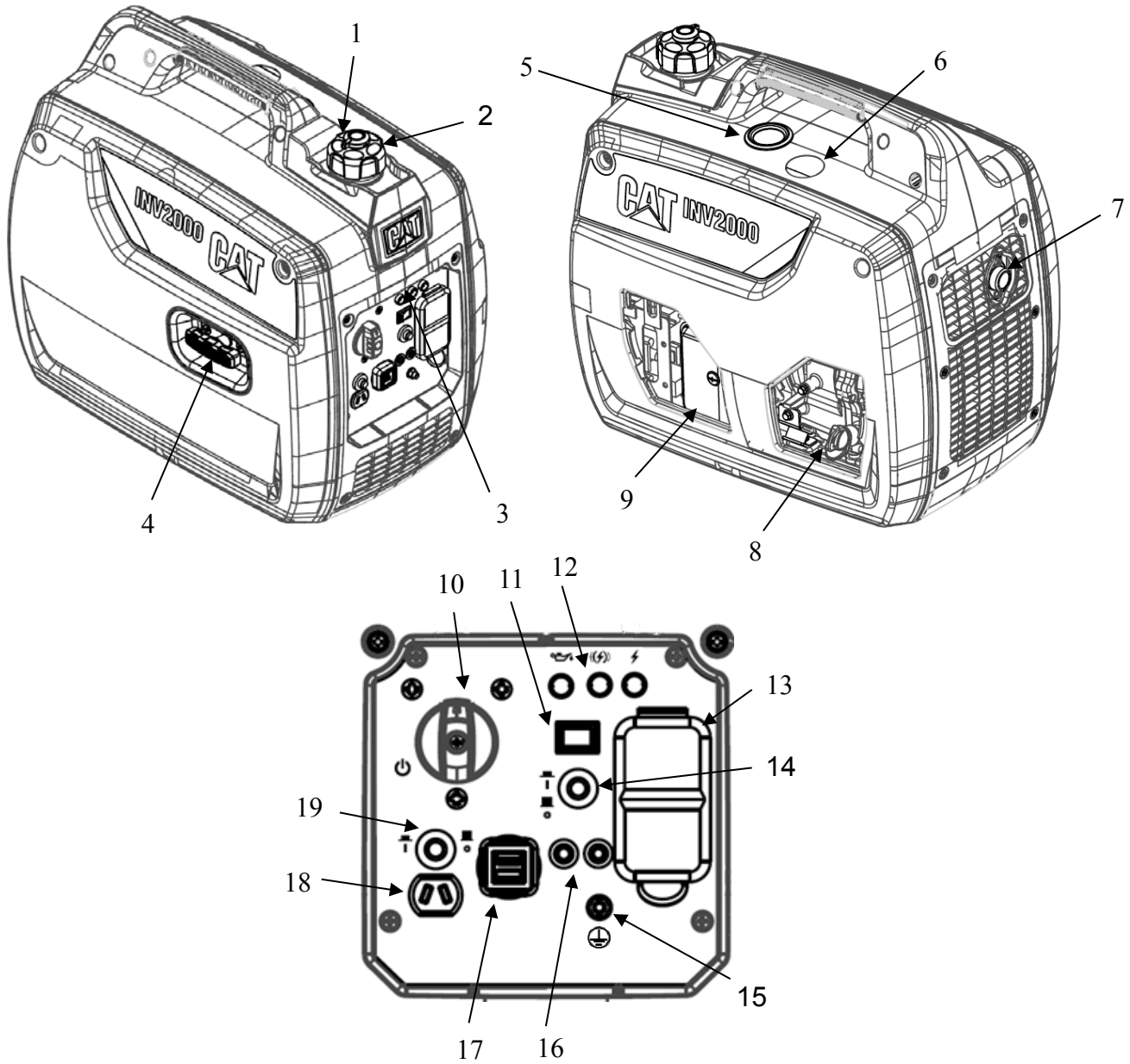
For 120VAC, use extension cords rated for 125V at 20A or greater. Use the shortest extension cord that meets these requirements.



- Wear a hard hat, protective glasses, and other protective equipment, as required.
- When work is performed around an engine that is operating, wear protective devices for ears in order to help prevent damage to hearing.
- Do not wear loose clothing or jewelry that can snag on controls or on other parts of the engine.
- Ensure that all protective guards and all covers are secured in place on the engine.
- Never put maintenance fluids into glass containers. Glass containers can break.
- Use all cleaning solutions with care.

The circuit breakers should match the generator specifications. If the circuit breakers require replacement, they must be replaced with a circuit breaker of the same rating and performance characteristics.

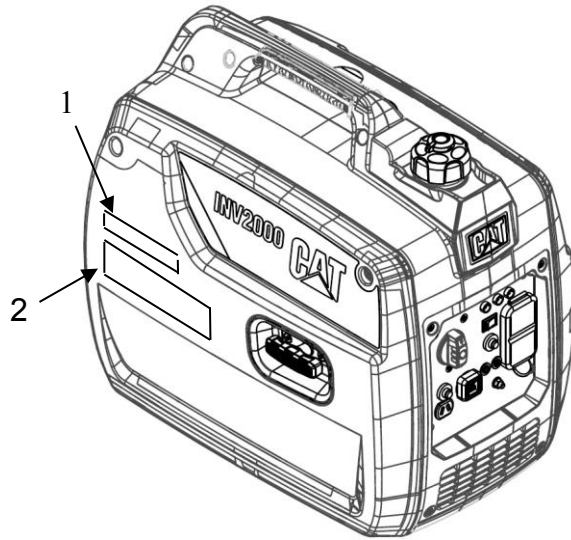
COMPONENT IDENTIFICATION



- | | |
|--------------------------------------|---------------------------------------|
| 1) Vacuum Relief Valve | 11) Engine Smart Control (ESC) Switch |
| 2) Fuel Cap | 12) Display LEDs |
| 3) Panel Light | 13) Receptacle – 120 VAC double GFCI |
| 4) Recoil Starter | 14) AC Circuit Breaker |
| 5) Fuel Gauge | 15) Ground Terminal |
| 6) Spark Plug Cover | 16) Parallel Receptacles |
| 7) Spark Arrestor | 17) Receptacle – USB double |
| 8) Oil Gauge / Oil Fill / Oil Drain* | 18) Receptacle – 12VDC 8.3A |
| 9) Air Filter Assembly* | 19) DC Circuit Breaker |
| 10) Generator Switch | |

*behind service access door

Engine Type & Serial Number



Cat® portable generators are identified with model numbers, serial numbers, and with performance specification numbers. The model number and performance specifications are located on the ratings plate (2). The serial number is located on the serial number plate (1).

Maintenance

Regularly Scheduled Maintenance

Included below are the intervals for normal maintenance of the product. The Maintenance and Service Procedures section includes normal maintenance procedures and more detailed service procedures that the typical user may not be able to perform. DO NOT attempt any procedures that you are not qualified to perform.

Ensure that all safety information, warnings, and instructions are read and understood before any operation or any maintenance procedures are performed.

Use service hours or calendar time, WHICH EVER OCCURS FIRST, to determine the correct maintenance intervals.

Stop the engine before servicing. Put the generator on a level surface and remove the spark plug cap to prevent the engine from starting. Never operate the engine in an unventilated room or other enclosed area.

When Required:

Fuel Tank Cap and Strainer – Clean

Every Use:

Engine Oil Level – Check
Walk-Around Inspection

First 8 Service Hours or 1 Month:

Engine Oil – Change

Every Month:

Generator – Inspect

Every 25 Service Hours or 3 Months:

Engine Oil – Change
Air Filter – Check

Every 50 Service Hours or 3 Months:

Spark Arrester – Inspect/Clean/Replace

Every 100 Service Hours or 6 Months:

Spark Plug – Inspect/Adjust/Replace

Every 300 Service Hours or 1 Year:

Cylinder Head – Clean
Engine Valve Lash – Check

Every 2 Years:

Fuel Line – Check/Replace if necessary

NOTE: Only use Caterpillar genuine parts.

Special Tools

The following tools may be required to perform the service procedures:

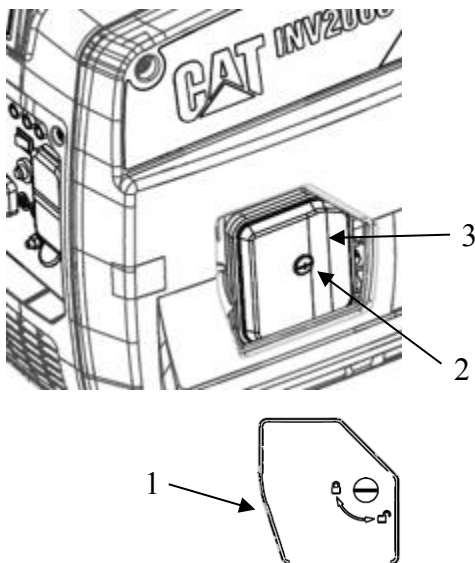
- Bearing driver
- Bearing puller
- Compression gauge
- Flywheel driver
- Megohmmeter
- Micrometer
- Multimeter (Volts and Ohms)
- Piston driver
- Piston ring puller
- Ring compressor
- Valve guide driver
- Valve guide reamer
- Valve seat cutter 32°
- Valve seat cutter 45°

Maintenance and Service Procedures

Air Filter – Check

A dirty air filter will restrict air flow into the carburetor, will cause poor fuel economy, and may damage the engine. To keep the generator in good operating condition, service the air filter regularly. Service more frequently when operating the generator in extremely dusty areas.

Note: Never operate the generator without the air filter in place. Operating the generator without the air filter in place will result in rapid engine wear.



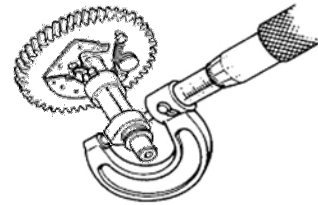
Open the left service door (1). Remove the air filter cover bolt (2) and remove the air filter cover (3) by lifting out the service door opening. Make sure that the air filter is clean and not damaged. If the air filter is dirty, wash the filter. If the air filter is damaged, replace the air filter.

Use a nonflammable solvent or a mixture of household detergent and warm water to wash the filter. Rinse the filter thoroughly to remove all of the cleaning solution. After the filter has dried, pour a small amount of engine oil into the filter and squeeze to distribute the oil throughout. Remove excess oil and replace the filter.

Note: Do not wring out the filter. Wringing out the filter may damage the filter.

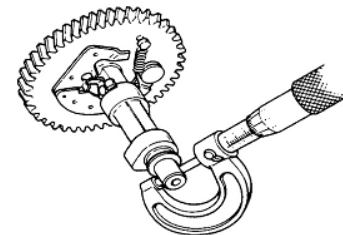
Use a damp rag to wipe dirt from the case and cover. Install the filter into the housing. Place the air filter cover over the filter and reinstall the air filter cover bolt. Reinstall the service door.

Camshaft – Inspect/Replace



Inspect the camshaft for damage or abnormal wear. Measure the lift on the camshaft lobes. The acceptable limits for the lift are shown in the table below. If the lift is out of the acceptable range, replace the camshaft.

Model:	Lobe:	Normal Lift:	Minimum Lift:
INV2000	Intake	20.54mm	20.34mm
	Exhaust	20.54mm	20.34mm

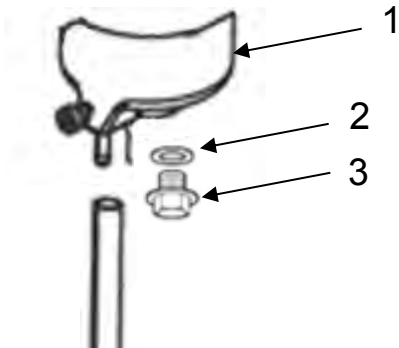


Measure the outside diameter of the camshaft. The acceptable limits for the diameter are shown in the table below. If the diameter is out of the acceptable range, replace the camshaft.

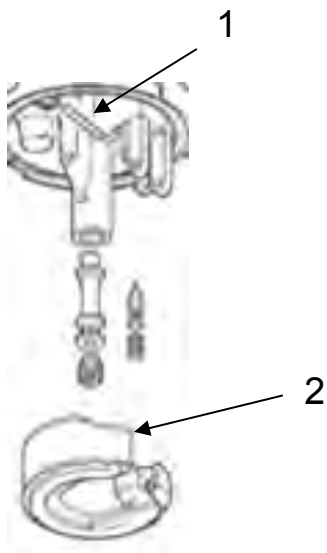
Model:	Normal:	Minimum:
INV2000	16.0mm	15.85mm

Carburetor – Inspect/Adjust

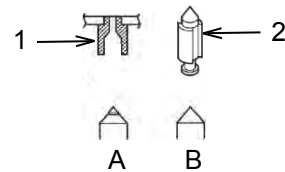
Remove the side panel (side with service access doors) by removing the 2 bolts and lifting out and away (be careful to avoid breaking the locating tabs). Remove the air filter and housing. Use a suitable container to drain the fuel from the hose (attached to the underside of the carburetor) when removing the carburetor. Dispose of the fuel properly. Clean the outside surface of the carburetor before disassembly.



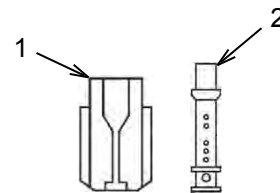
Remove bolt (3) and gasket (2). Carefully remove the float chamber (1), and contain any small parts that may fall out.



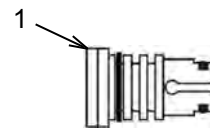
Remove float pin (1), carefully remove float (2) and contain the small parts. Clean the internal parts with carburetor cleaner and compressed air.



Check the float valve seat (1) and float valve (2) for wear. Figure A shows a worn float valve that needs replaced. Figure B shows a float valve that can be reused.



Inspect main fuel jet (1) and main fuel nozzle (2). If worn, replace.



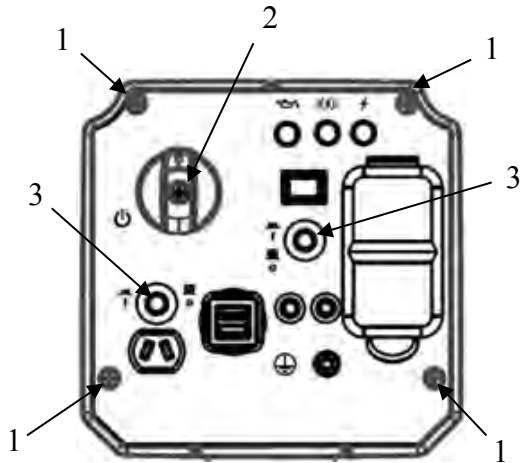
Inspect the idle speed jet (1). Replace if damaged. Apply a light coat of oil to the O-ring seals before reinstalling.

After reinstalling the float, lightly press in with a finger to make sure the float moves freely. Make sure that the float valve is just contacting the valve seat, and the spring is not compressed.

Set the float chamber in place so that the drain hose can be accessed through the service access door. Install gasket and bolt to hold the float chamber in place.

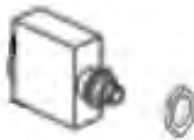
Reinstall the carburetor. After starting the unit, check for leakage.

Control Panel – Service



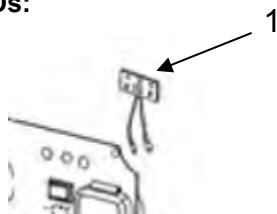
Remove the four bolts (1). Remove generator switch screw (2) and pull the generator switch forward. Remove both circuit breaker nuts (3) by twisting off. Pull the control panel cover forward and up slowly. Make sure that the cables move freely and are not damaged. Tag the wires to identify them and then disconnect the wiring harnesses. Remove the front cover and place on a surface that will protect the panel from damage.

Circuit Breakers:



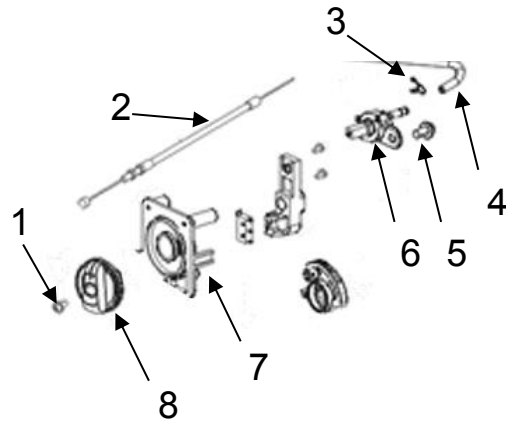
Each circuit breaker is held to the panel with a half nut located on the front of the panel. Tag the wires to identify them and then disconnect the circuit breaker. Remove the half nut from the front of the panel then remove the circuit breaker from the rear of the panel.

Display LEDs:



The Display LEDs (1) are held to the panel with a bracket that mounts to the panel from the rear. Disconnect the harness from the plug and remove the bracket. Remove the Display LEDs from the bracket.

Generator Switch:



The generator switch is held to the panel with a screw (1). Remove the screw and remove the knob (8) from the front of the panel. The choke rod (2) is attached to the generator switch from the rear of the panel. The fuel line (4) is attached with a collar (3) to the rear of the fuel assembly (6), attached to the rear of the generator switch with a bolt (5). Remove the generator switch (7) from the rear of the panel once all is disconnected.

Receptacles and Covers:



Each receptacle (GFCI, DC, and USB) is held to the panel with two nuts. Tag the wires to identify them and remove the wires from the receptacle. Remove the nuts, and then remove the receptacle from the rear of the panel. The receptacle cover can then be removed from the front of the panel.

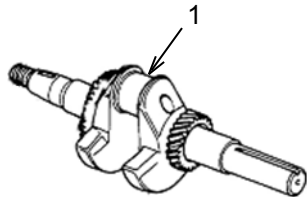
Ground Terminal:

The ground terminal (1) is held to the panel with a double nut located on the front of the panel. Remove the double nut from the front of the panel then remove the ground terminal from the rear of the panel.

Crankshaft – Inspect/Replace

Inspect the crankshaft oil seal. If the seal is damaged or shows sign of leakage, replace the seal.

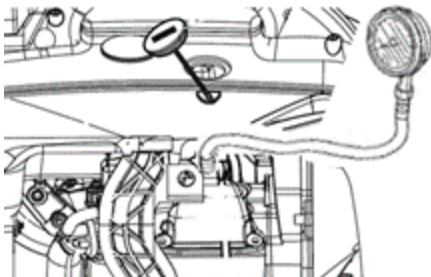
Inspect the crankshaft bearings. If the bearing is scored or shows signs of discoloration from excessive heat, replace the bearing. Coat the bearing with engine oil before installing.



Check the diameter of the crankshaft journal (1). A normal diameter is 21.97-21.98mm. If the diameter is 21.87mm or less, replace the crankshaft.

When installing the crankshaft, insert it into the crankcase until the bearing touches the crankcase without damaging the oil seal.

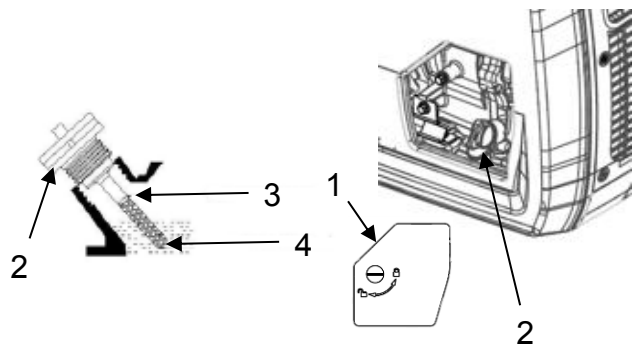
Cylinder Pressure – Check



- Remove the side panel (side with service access doors) by removing the 2 bolts and lifting out and away (be careful to avoid breaking the locating tabs).
- Remove the spark plug boot and spark plug.
- Connect the compression gauge as shown above.
- Pull the recoil starter handle several times and note the cylinder pressure.
- If the cylinder pressure is not greater than or equal to 0.95 MPa (138 psi), refer to the Troubleshooting section.

Engine Oil Level – Check

Always check the engine oil with the generator on a level surface and with the engine stopped.



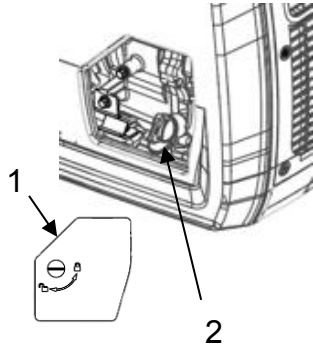
1. Open the right service door (1). Remove the oil level gauge (2) and wipe clean.
2. Check the oil level by re-inserting the oil level gauge (do not screw in tight).
3. If the oil level is low (4), add the recommended engine oil, using the funnel supplied, until the oil level reaches the upper mark (3) on the oil level gauge. Use the chart below to determine which viscosity oil to use.

Recommended Lubricant Viscosities for Ambient Temperature				
Oil Viscosities	°C		°F	
	Min	Max	Min	Max
SAE 0W-40	-40	40	-40	104
SAE 5W-40	-30	50	-22	122
SAE 10W-30	-18	40	0	104
SAE 15W-40	-10	50	14	122

4. After adding oil, install and tighten the oil level gauge (2), and close the service door (1).

Note: Non-detergent and 2-stroke engine oils will damage the engine and must not be used.

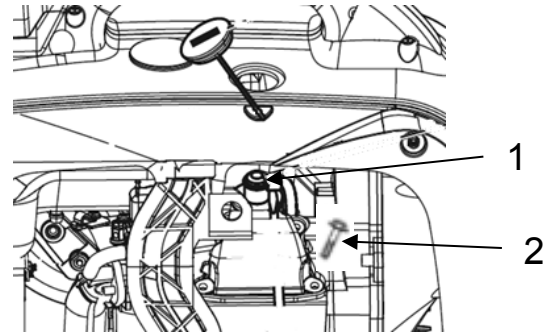
Engine Oil – Change



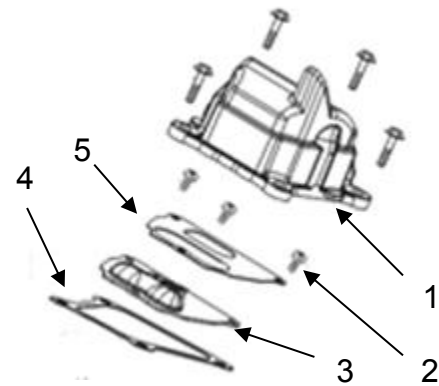
1. Operate the engine until it reaches normal operating temperature. Stop the engine and use a suitable container to collect the used oil.
2. Close the vacuum relief valve on top of the fuel cap by rotating counter-clockwise to the off "0" position.
3. Open the right service door (1). Remove the oil level gauge (2), wipe clean, and set aside.
4. Attach the oil funnel supplied, and tilt the generator so the used oil flows from the engine into the container and fully tilt the generator until the crankcase is empty. Wipe the funnel clean.
5. Refill the oil, using the funnel supplied, and check the oil level. Refer to Engine Oil Level – Check.
6. Install and tighten the oil level gauge. Close the service door (1).
7. Dispose of the used oil properly.
8. Start the engine for a brief period and check for leaks.
9. Stop the engine and check the oil level. Refer to Engine Oil Level – Check.

Engine Valve – Inspect/Replace

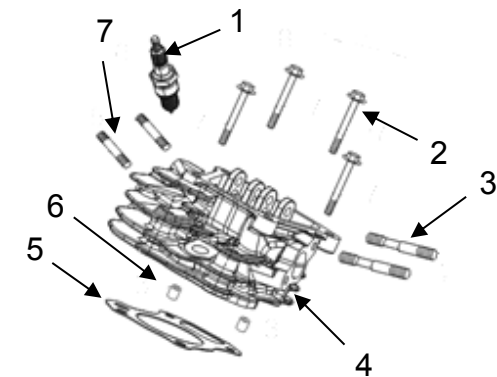
Remove the side panel (side with service access doors) by removing the 2 bolts and lifting out and away (be careful to avoid breaking the locating tabs).



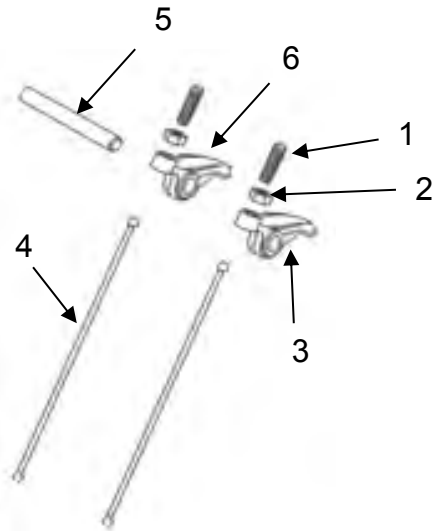
Remove spark plug boot (1) and valve cover bolts (2).



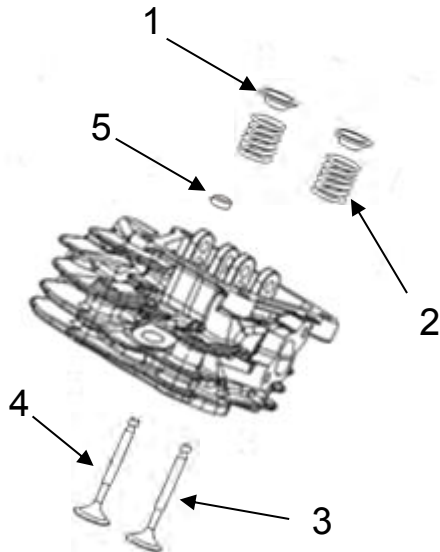
Remove valve cover (1). Remove screws (2), breather piece (5) and breather gasket (3). Remove valve cover gasket (4).



Remove spark plug (1). Remove cylinder head bolts (2), and remove cylinder head (4). Remove cylinder head gasket (5) and discard used gasket. Remove locating pins (6) and set aside. Studs (3) and (7) can remain in the cylinder head for this procedure.



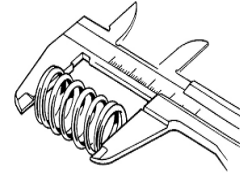
Remove locking nut (2) and adjusting nut (1). Remove shaft (5), and remove exhaust valve rocker arm (6). Repeat the process for intake valve rocker arm (3). Check the rocker arms for wear. Replace if damaged. Remove pushrods (4). Inspect the pushrods. Make sure they are straight and not scored. Check the pushrod ends for wear. Replace the pushrods if worn or damaged.



Note: Do not remove the retainer (1) while the head is still on the engine or the valves will drop down into the cylinder.

Press down on retainer (1) and move it to the side so that the valve stem will pass through the larger hole. Remove valve spring (2) and exhaust valve (4). Repeat the process for the intake valve (3) and retainer.

Valve Springs:



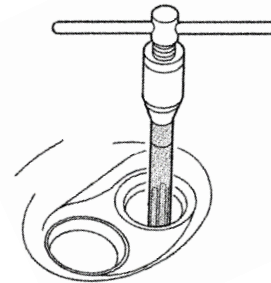
Check the free length of the valve spring. The normal free length is 28.5mm. If the free length is 25.5mm or less, replace the spring.

Model:	Normal:	Minimum:
INV2000	28.5mm	25.5mm

Valve Guides:

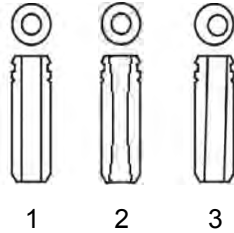
Inspect the valve guides. Make sure that they fit tightly into the cylinder head. Inspect the inner surfaces of the valve guides. The inner surface should be smooth, with no cracking or pitting. If the inner surface is damaged, replace the valve guide.

Valve Guides – Ream:



For best results perform this procedure when the valve guides and cylinder head are at room temperature.

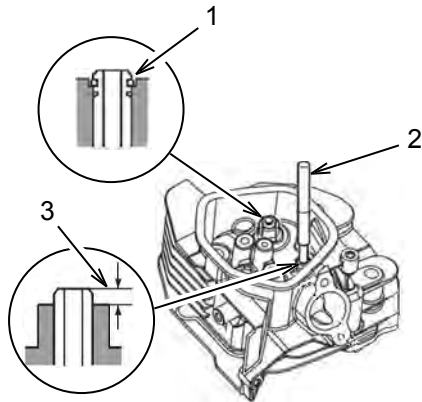
Make sure that the reamer is centered over the valve guide. Coat the reamer and valve guide with cutting oil. Turn the reamer clockwise and work it through the valve guide for the entire length of the reamer. Continue to turn it clockwise as you remove the reamer from the valve guide. Remove any carbon deposits and check the internal diameter of the valve guide. The normal diameter of the valve guide is 8.6mm. If the internal diameter of the valve guide is 9.021mm or more, either replace the valve guide or install inserts.



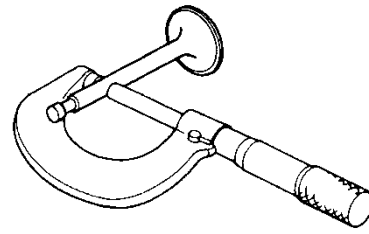
Check the valve guide bore. Insert the valve and make sure that it moves smoothly through the bore without any wobble. Figure 1 shows a good valve guide. Figure 2 shows a valve guide with abnormal wear that would allow the valve to wobble. The valve head could eventually break off and fall into the combustion chamber, damaging the engine. This valve guide must be reamed or replaced. Figure 3 shows a valve guide with a bore that is not centered. This valve guide must be replaced.

Valve Guides – Replace:

Place the new valve guides in the freezer compartment of your refrigerator for one hour. Use a valve guide driver to drive out the old valve guides. Take care that you do not damage the cylinder head while driving out the old valve guides.



Install the new valve guides from the valve spring side of the cylinder head. Use the valve guide driver (2) to drive the exhaust valve guide in until the clip is fully seated (1). Drive the intake valve guide in until the top of the valve guide extends 1mm above the cylinder head (3). After installation check each valve guide for damage. If damaged, repeat the removal and installation process using a new valve guide.



Use a micrometer to measure the outside diameter of the valve stem. Refer to the following table.

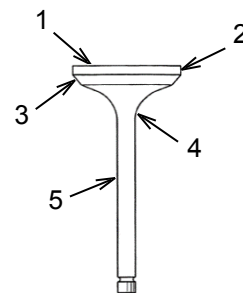
Model:	Valve:	Normal:	Minimum:
INV2000	Intake:	3.96mm	3.87mm
	Exhaust:	3.93mm	3.835mm

If the diameter of the valve is at or below the minimum, replace the valve.

Subtract the diameter of the valve stem from the internal bore of the valve guide to determine the valve stem-to-guide clearance. If the clearance is more than the maximum shown in the following chart, determine if a new guide or a new valve is the best choice to bring the clearance back into tolerance.

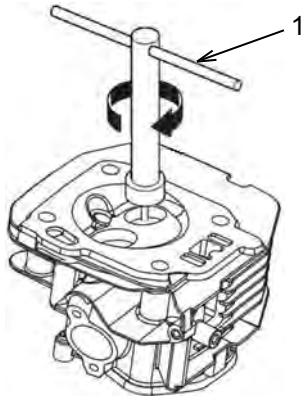
Valve:	Normal:	Maximum:
Intake:	0.015 - 0.042mm	0.30mm
Exhaust:	0.050 - 0.077mm	0.30mm

Valves:



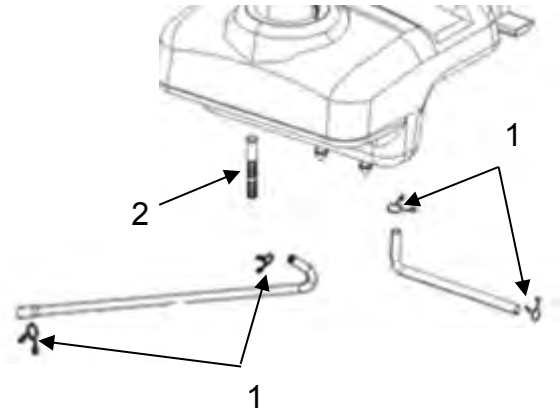
Check the valves for damage. Check the valve head (1), valve margin (2), and valve face (3) for damaged or burnt areas. Check the valve neck (4) for unusual wear. Check the valve stem (5) for wear, scoring, or bends. If any damage is found, replace the valve.

Remove any carbon deposits from the valve seats. Use a runout gauge to measure the concentricity of the seat. Alternatively, apply a light coat of a marking compound to the valve face and insert the valve into the head. Press the valve in firmly and then remove the valve. Check the paint for signs that the valve seat is not concentric. Remove the marking compound from both surfaces.



Apply lapping compound to the valve face and insert the valve into the cylinder head. Use a valve lapping tool (1) to finish surfacing the valve and valve seat. Remove any remaining compounds before assembling the cylinder head. Make sure that the pushrods are firmly seated in the lifters. After assembly, follow the Engine Valve Lash – Adjust and the Cylinder Pressure – Check procedures to ensure a proper assembly.

Fuel Line and Filter – Replace

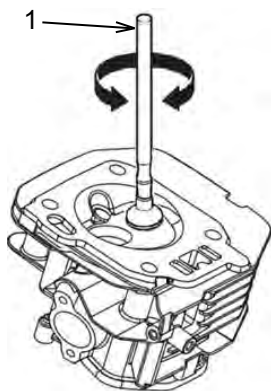


If the marking compound shows that the valve seat is not concentric, use a 45° valve seat cutter (1) to produce a smooth, concentric seat. Always turn the cutter clockwise. Use both the 45° valve seat cutter and the 32° valve seat cutter to adjust the valve seat so that it contacts the middle of the valve face. The 32° valve seat cutter removes material from the top of the seat. The 45° valve seat cutter removes material from the bottom of the seat. Be sure that when finished the area where the valve contacts the valve seat is from 3.3 to 3.7mm wide. To complete the procedure, make a light pass with the 45° valve seat cutter to remove any burrs that may be on the edge of the seat. When complete, use the marking compound to check for concentricity. Make sure that there is good contact all the way around the valve.

Drain the fuel from the fuel tank into an appropriate container. Start the engine and let the engine run out of fuel. Turn the generator switch to the off “0” position.

Remove the side panel (side with service access doors) by removing the 2 bolts and lifting out and away (be careful to avoid breaking the locating tabs). The fuel tank does not need to be removed to replace the fuel line. Move clamps (1) to the center of the fuel line.

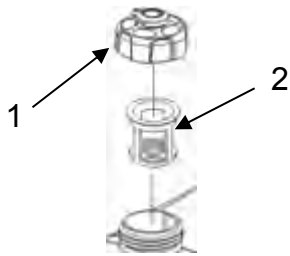
Remove the fuel line from the fuel filter (2). Remove the fuel filter. Wipe the mounting surface with a clean rag and install a new fuel filter. Tighten the fuel filter.



Remove the fuel line from the rear of the generator switch and the carburetor.

Inspect the clamps. If the clamps are damaged discard the old clamps and use new clamps. Place two clamps near the center of each new fuel line and install the fuel lines. Position the clamps so that they will hold the fuel line securely in place.

Fuel Tank Cap and Strainer – Clean



Wipe off the fuel cap (1) and surrounding area before removing the fuel cap. Wiping off the fuel cap and surrounding area before removing the fuel cap helps to reduce the amount of contaminants allowed into the fuel system.

Inspect the fuel cap. Make sure that the vacuum relief valve moves easily. If the vacuum relief valve does not move easily, replace the fuel cap.

If there is a build-up of debris in the fuel strainer (2), remove the strainer and rinse out the strainer. Allow the strainer to dry before installing the strainer. If the strainer is damaged, replace the strainer.

Generator - Inspect

Once a month start the engine and run the engine until it reaches normal operating temperature (about 10 minutes). Plug in a corded device and turn on the device to ensure that the generator is providing power. Once you have verified that the generator is providing power, turn off the device and unplug it. Then turn the generator off.

High Altitude Kits

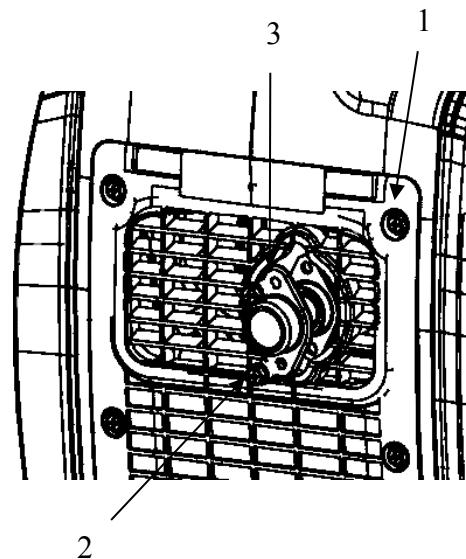
At higher altitudes, the standard air-fuel mixture is too rich and will cause decreased performance and increased fuel consumption. A rich mixture will also foul the spark plug and make starting difficult. Operation at higher altitudes for extended periods of time may increase emissions.

Proper operation can be ensured by installing a high altitude kit when required. An altitude kit consists of a smaller diameter main fuel jet and an adjustment to the pilot screw. Refer to Carburetor – Inspect/Adjust for instructions on replacing the main fuel jet.

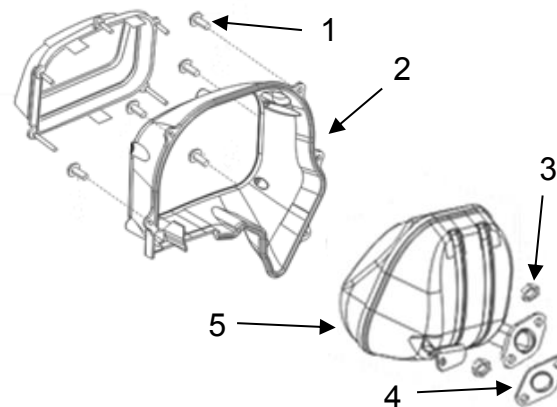
Note: At elevations greater than 8000 feet above sea level, the engine may experience decreased performance even with the high altitude kit installed.

Muffler – Inspect/Replace

Allow the unit to cool before performing this procedure.



Remove both side panels by removing the 2 bolts on each side and lifting out and away (be careful to avoid breaking the locating tabs). Remove the 6 bolts (1) on the muffler cover and remove cover by lifting out.



Remove the 4 bolts (1) to remove the muffler shroud (2) and cover and lift out. Remove nuts (3) from the exhaust. Lift muffler (5) out and discard used gasket (4). Check for cracks and wipe off debris with a wire brush. Reinstall in reverse order using a new gasket (4). To service the spark arrestor, refer to Spark Arrestor – Inspect/Clean/Replace.

Spark – Check

DANGER

Shock/Electrocution Hazard: Do not operate this equipment or work on this equipment unless you have read and understand the instructions and warnings in the Owner's Manual. Failure to follow the instructions or heed the warnings will result in serious injury or death.

Make sure that your hands are dry and that you are not electrically grounded.

To reduce the risk of a flash fire, make sure that there is no open fuel in the vicinity. Turn the generator switch to the off "0" position, and drain the fuel out of the carburetor.

- Remove the spark plug boot and spark plug
- Pull the recoil starter handle a few times (2-3) to drain the fuel from the cylinder
- Install the spark plug boot onto the spark plug
- Turn the generator switch to the on "1" position.
- Hold the spark plug by the spark plug boot and gently place the threads of the spark plug against the cylinder head.
- Pull the recoil starter handle and check for a spark.
- If the spark is weak or if there is no spark, refer to Spark Plug – Inspect/Adjust/Replace.

Spark Arrestor - Inspect/Clean/Replace

This unit has a spark arrestor fitted to the exhaust outlet of the muffler. The spark arrestor should be cleaned with a soft wire brush after every 50 hours or 3 months of use. The spark arrestor should be replaced after every 100 hours of operation or if it becomes damaged.

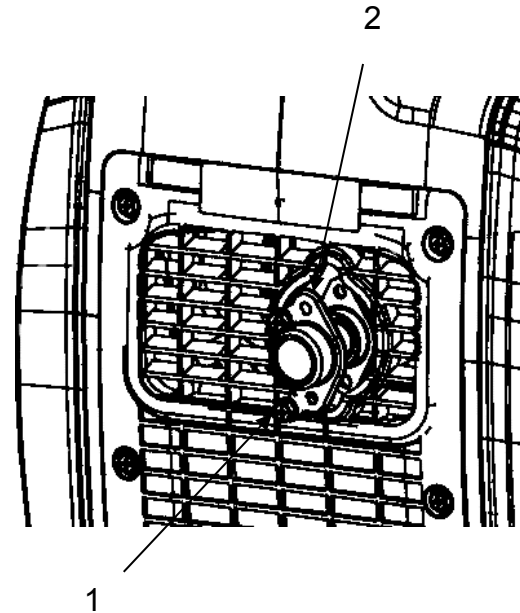


Hot Surface

WARNING

Hot parts or hot components can cause burns or personal injury. Do not allow hot parts or components to contact your skin. Use protective clothing or protective equipment to protect your skin.

DO NOT perform this maintenance procedure until the muffler has cooled.

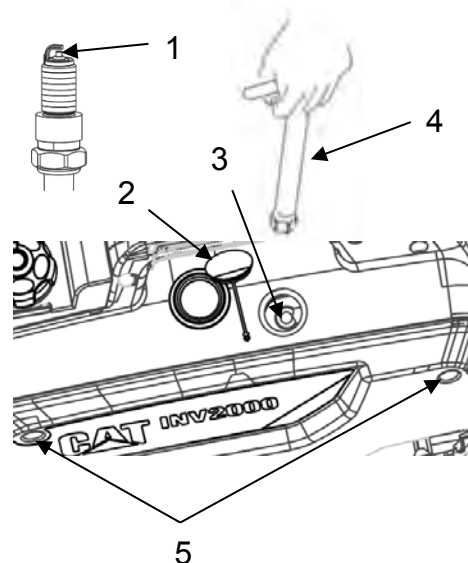


Remove screws (1). Remove spark arrestor (2). Check the spark arrestor. Carefully clean the spark arrestor with a soft wire brush. If the spark arrestor is damaged, replace the spark arrestor.

To install the spark arrestor, align the mounting holes in the spark arrestor with the mounting holes on the muffler. Insert screws (1) and tighten securely.

Spark Plug – Inspect/Adjust/Replace

Refer to the Specifications section of this manual to determine the proper spark plug part number and spark plug gap for your product.



1. DO NOT perform this maintenance procedure with the engine running.
2. Turn the generator switch to the off "O" position.
3. Remove the screws (5) to remove the outer side panel by pushing up and out to access the engine.
4. Remove the spark plug boot by lifting it off the top of the spark plug and remove the spark plug access cover (2) by rotating and pulling out.
5. Use the plug wrench (4) or a spark plug socket to remove the spark plug (3).
6. Visually check the spark plug to see if it is damaged. If the insulator is cracked, replace the spark plug. If the electrode is damaged, replace the spark plug.
7. Measure the plug gap (1) with a feeler gauge. Adjust the gap as necessary by carefully bending the side electrode. Refer to Specifications for the correct gap for your product.
8. Check the spark plug washer to ensure proper working condition. If the washer is damaged, replace the washer.
9. Install spark plug and tighten to 9 ± 2 lb ft (12.5 ± 2 Nm). DO NOT overtighten as this may damage the engine.
10. Re-attach the spark plug boot, spark plug cover (2), and outer side panel.

Walk-Around Inspection

Before starting the engine perform a visual inspection of the unit. Look for:

- Proper oil level
- Proper fuel level
- Good quality fuel
- Fluid leaks
- Loose clamps
- Loose bolts
- Cracked fuel line
- Loose or frayed wiring
- Built up debris

In addition, make sure that:

- The ground terminal is properly connected

Windings – Test

Remove the side panel (side with service access doors) by removing the 2 bolts and lifting out and away (be careful to avoid breaking the locating tabs).

Remove the air filter cover and housing to allow better access to the inverter controller, underneath the muffler on the left side of the unit.

Use an Ohmmeter or multimeter to measure the resistance of the windings. Place the meter across alternating output terminals and measure all combinations. The resistance should be $0.95\Omega \pm 10\%$ at 25°C across the main winding (COM2-A the brown terminals). If the resistance is out of tolerance, replace the inverter. Measure the resistance from each wire to ground. The resistance should be infinite. If the resistance is not infinite, replace the inverter. The resistance should be $0.43\Omega \pm 10\%$ at 25°C across the control winding (COM3-A the orange terminals). The resistance should be $0.12\Omega \pm 10\%$ at 25°C across the DC winding (COM1-A the blue terminals).

STORAGE

When a generator is in storage, air may condense and moisture may appear on the windings. In order to minimize condensation, always store the generator in a dry area. Cover the generator with a protective cover that extends to the ground. The cover should remain loose around the generator in order to allow proper ventilation.

Storage for 1 to 3 months

Remove any dirt, rust, grease, and oil from the generator. DO NOT use a pressure washer to clean the generator. Inspect the exterior. Make any necessary repairs.

Add fuel stabilizer to the fuel tank to prevent the gasoline from going bad. Start and run the engine for 5 minutes to ensure that the fuel stabilizer has been pulled in to the carburetor. Shut off the engine and allow the engine to cool.

Turn the generator switch to the off “O” position.

Move the generator to the storage place.

Cover the generator.

Storage for more than 3 months

Remove any dirt, rust, grease, and oil from the generator. DO NOT use a pressure washer to clean the generator. Inspect the exterior. Make any necessary repairs.

WARNING

Gasoline is extremely flammable and is explosive under certain conditions. Drain the fuel in a well-ventilated area with the engine stopped and cool. Never smoke or allow flames or sparks in the area during this procedure.

Remove the fuel cap and carefully turn the generator over to pour the gasoline into an appropriate container. Reinstall the fuel cap and start and run the engine until the engine stops, to allow the fuel to drain from the fuel lines, carburetor, and engine system.

Change the engine oil. Refer to Engine Oil – Change.

Remove the spark plug and pour a small amount of oil into the cylinder. Install the spark plug but do not install the spark plug boot.

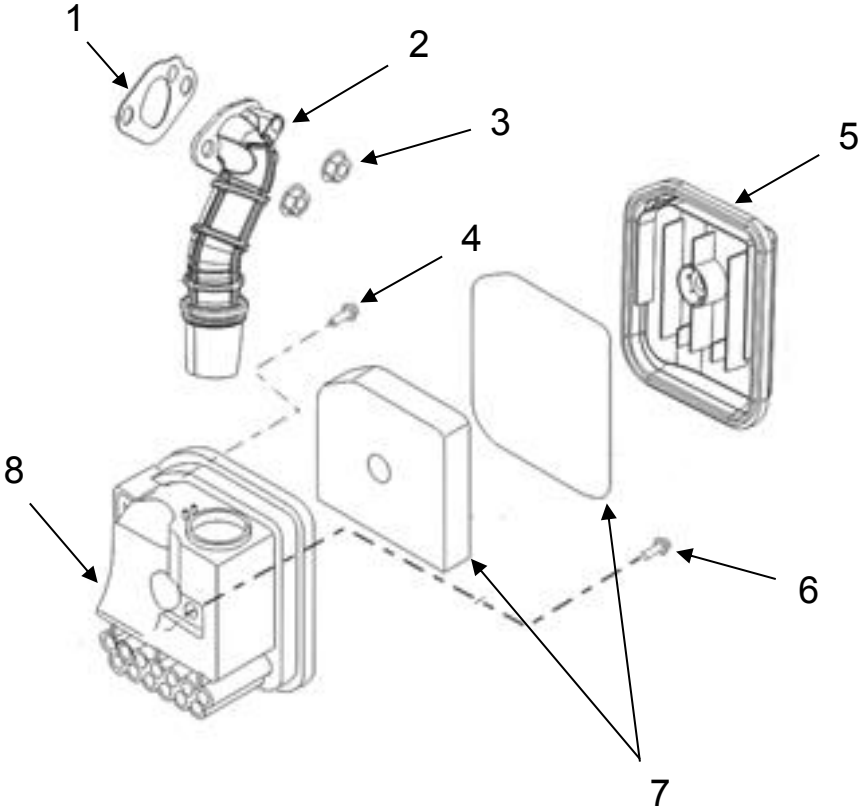
Turn the generator switch to the off “O” position.

Move the generator to the storage place.

Cover the generator.

DIAGRAMS

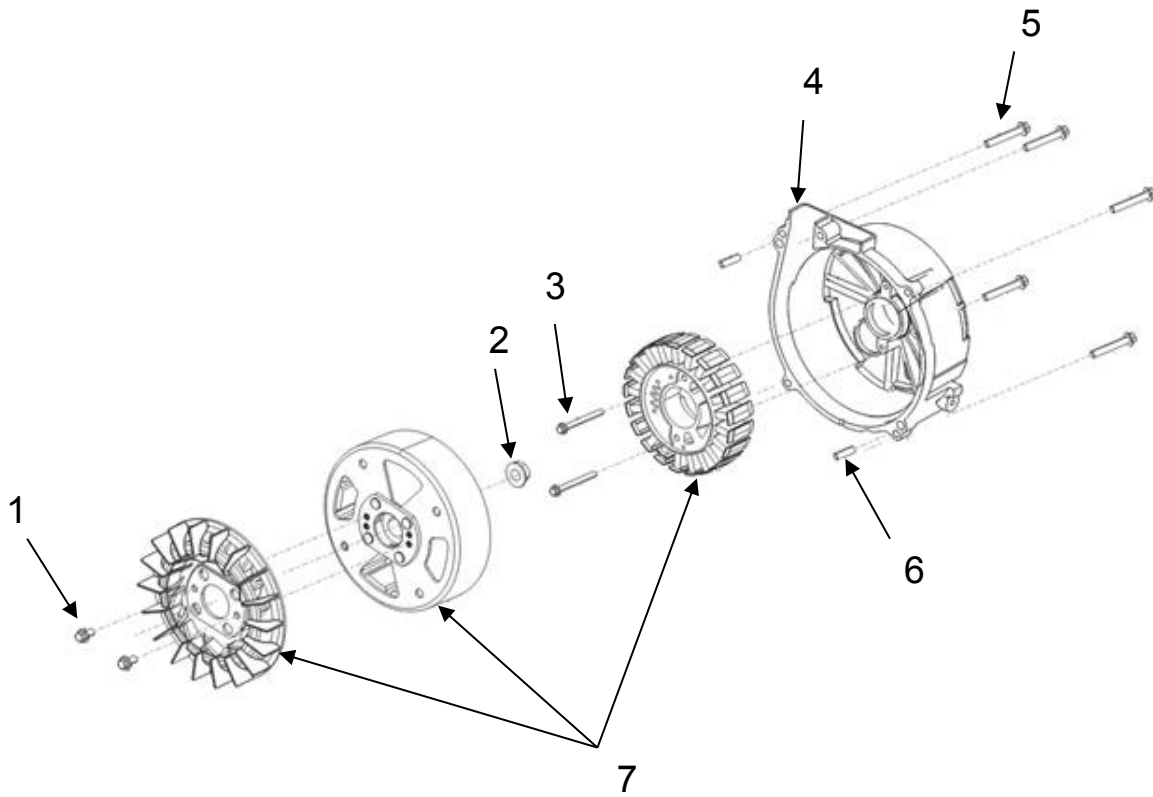
Air Cleaner Housing



- 1. Gasket
- 2. Air cleaner intake
- 3. Nut
- 4. Bolt

- 5. Air cleaner cover
- 6. Bolt
- 7. Air filter element
- 8. Air cleaner housing body

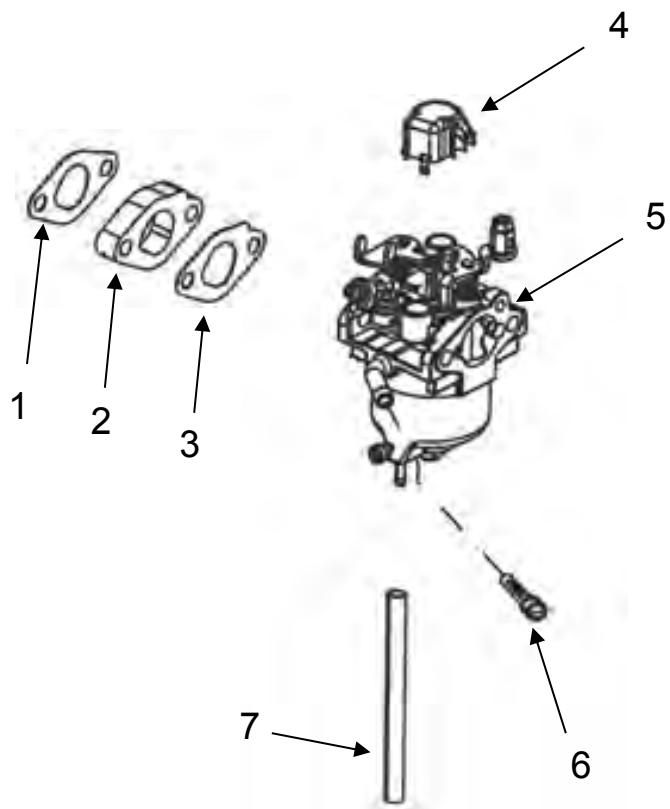
Alternator



- 1. Bolt
- 2. Nut
- 3. Bolt
- 4. Shroud

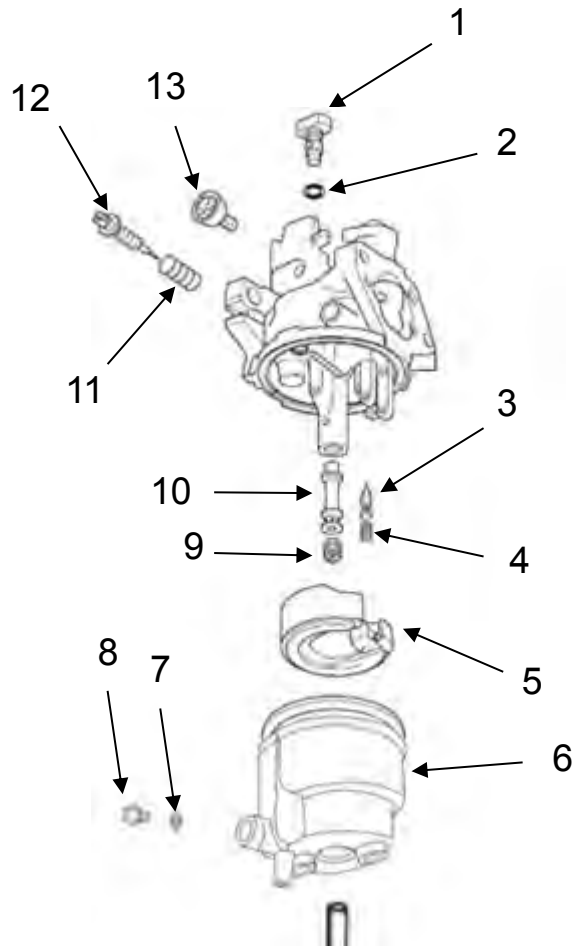
- 5. Bolt
- 6. Pin
- 7. Alternator

Carburetor



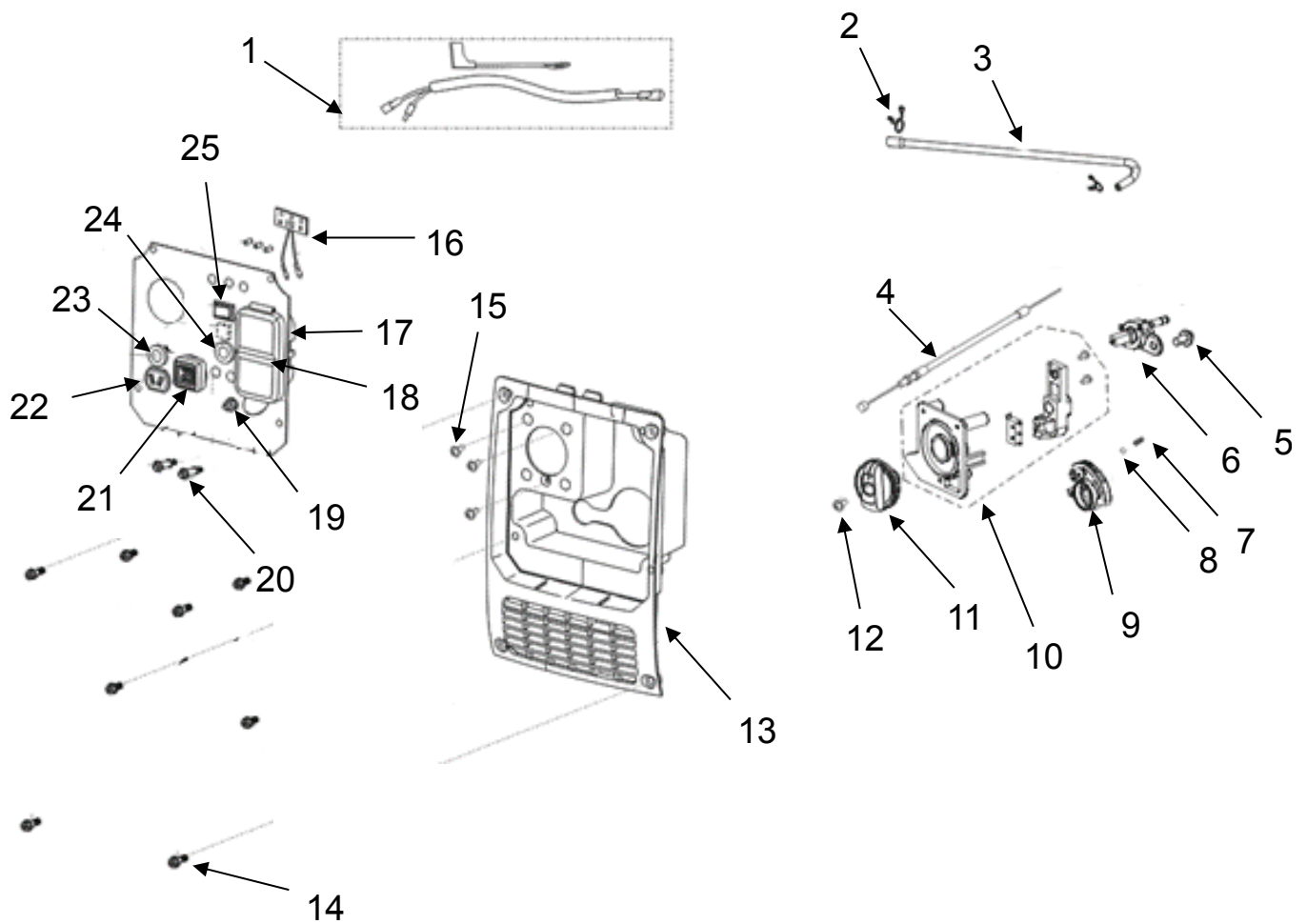
1. Carburetor gasket
2. Insulator plate
3. Insulator gasket
4. Carburetor cap

5. Carburetor
6. Fuel filter
7. Fuel line



- | | |
|------------------|----------------------|
| 1. Pilot jet | 8. Drain bolt |
| 2. Seal | 9. Main jet |
| 3. Float valve | 10. Nozzle |
| 4. Float spring | 11. Spring |
| 5. Float | 12. Pilot screw |
| 6. Float chamber | 13. Idle speed screw |
| 7. Gasket | |

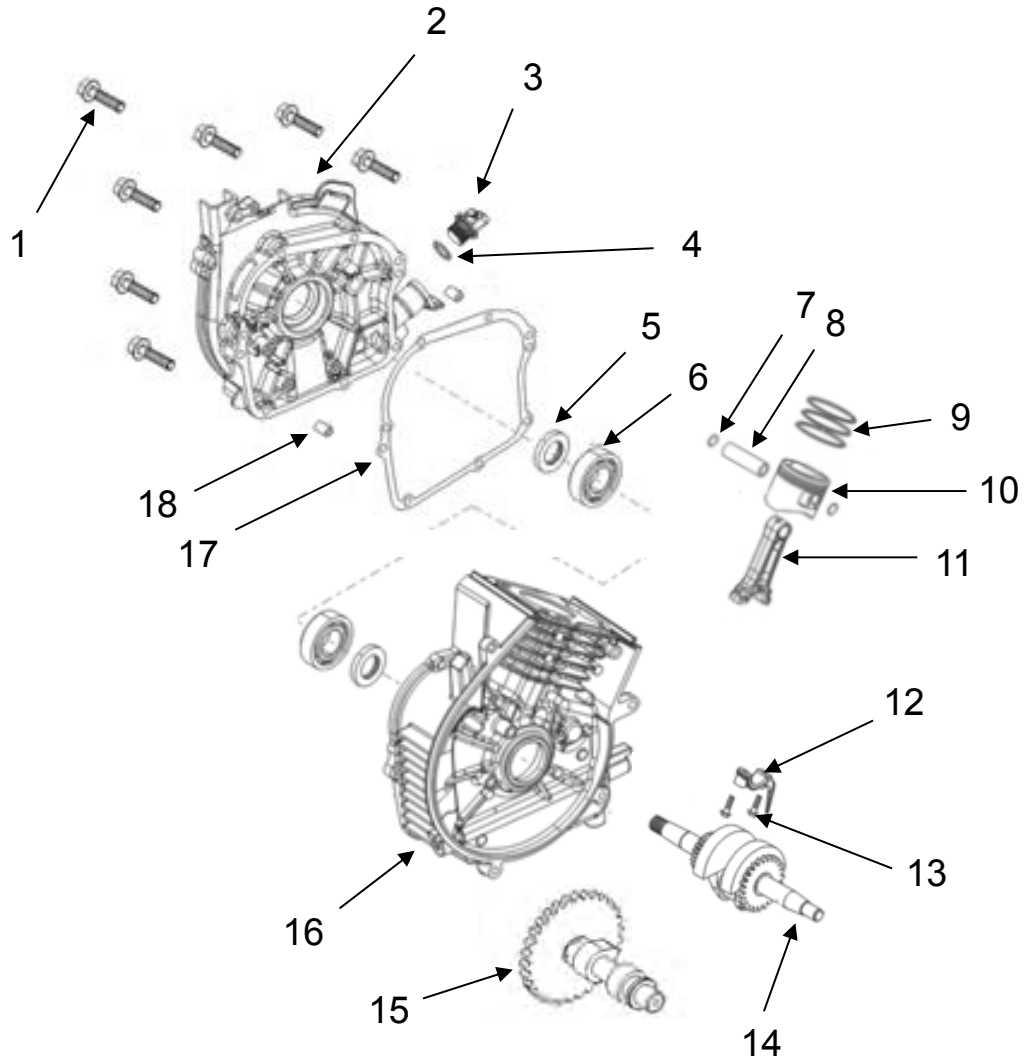
Control Panel



1. Control panel harness
2. Hose clamp
3. Fuel line
4. Choke rod
5. Bolt
6. Generator switch seat
7. Spring
8. Steel ball
9. Cover plate
10. Generator switch
11. Generator switch knob
12. Screw
13. Control panel housing

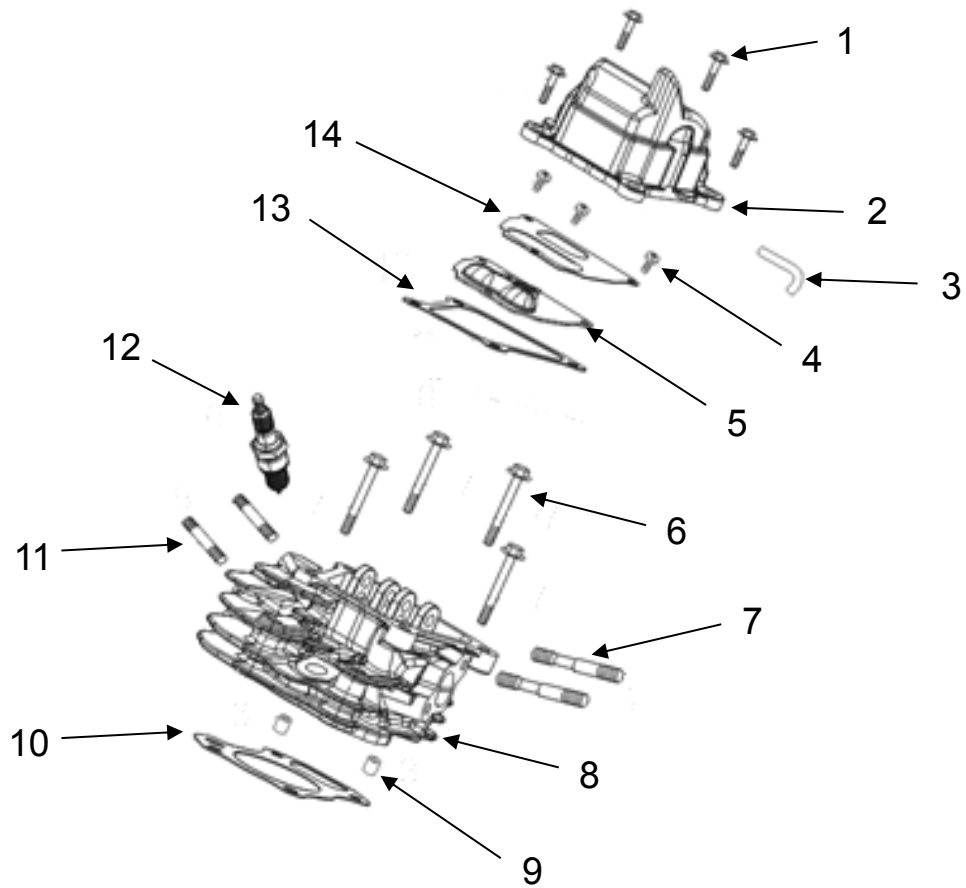
14. Bolt
15. Screw
16. Indicator assembly
17. Receptacle – 120 VAC GFCI double
18. Rain cover
19. Grounding terminal
20. Parallel socket
21. Receptacle – USB double
22. Receptacle – 12 VDC 8.3A
23. Circuit breaker
24. Circuit breaker
25. Engine smart control switch

Crankcase and Piston



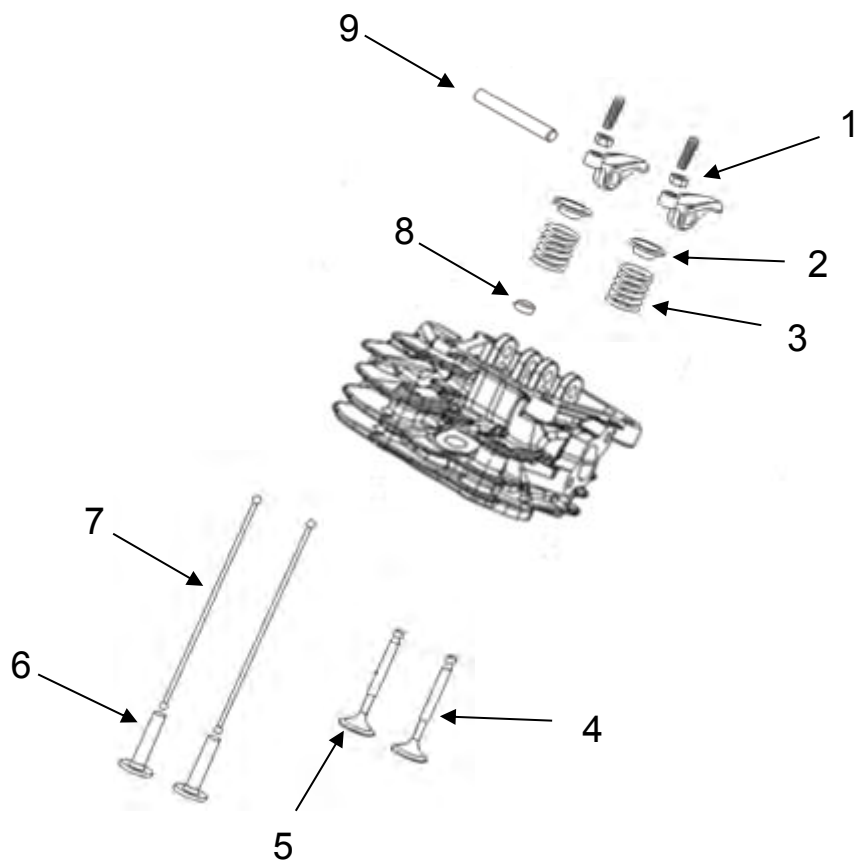
- | | |
|------------------------|------------------------|
| 1. Bolt | 10. Piston |
| 2. Crankcase cover | 11. Connecting rod |
| 3. Oil fill/drain plug | 12. Connecting rod cap |
| 4. Washer | 13. Bolt |
| 5. Oil seal | 14. Crankshaft |
| 6. Bearing | 15. Camshaft |
| 7. Clip | 16. Crankcase |
| 8. Pin | 17. Crankcase gasket |
| 9. Piston ring | 18. Pin |

Cylinder Head and Valves



1. Cylinder head cover bolt
2. Cylinder head cover
3. Breather tube
4. Screw
5. Breather gasket
6. Cylinder head bolt
7. Stud

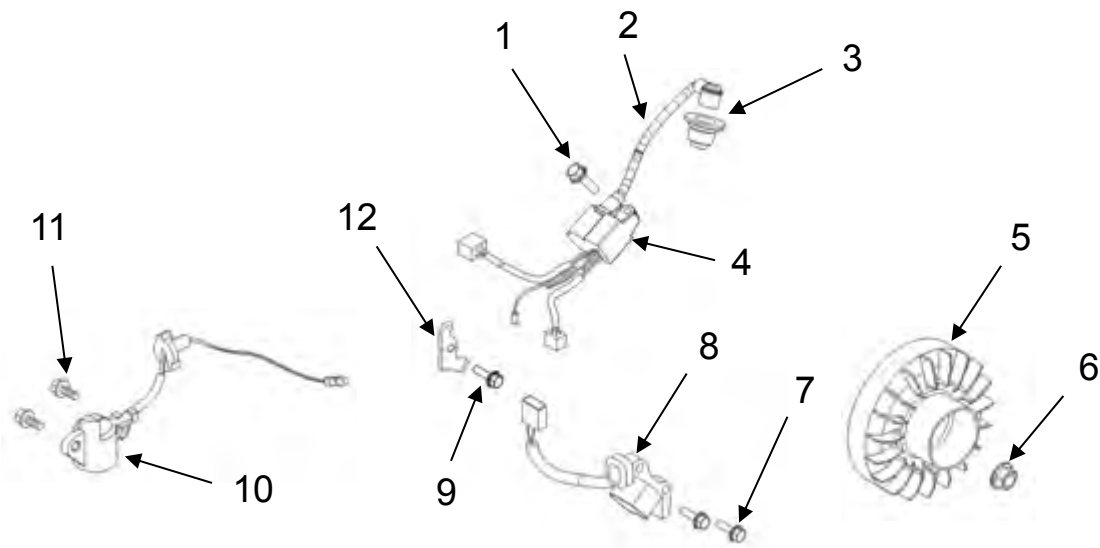
8. Cylinder head
9. Pin
10. Cylinder head gasket
11. Stud
12. Spark plug
13. Cylinder head cover gasket
14. Breather piece



- 1. Rocker assembly
- 2. Retainer
- 3. Spring
- 4. Intake valve
- 5. Exhaust valve

- 6. Lifter
- 7. Push rod
- 8. Seal guide
- 9. Valve rocker shaft

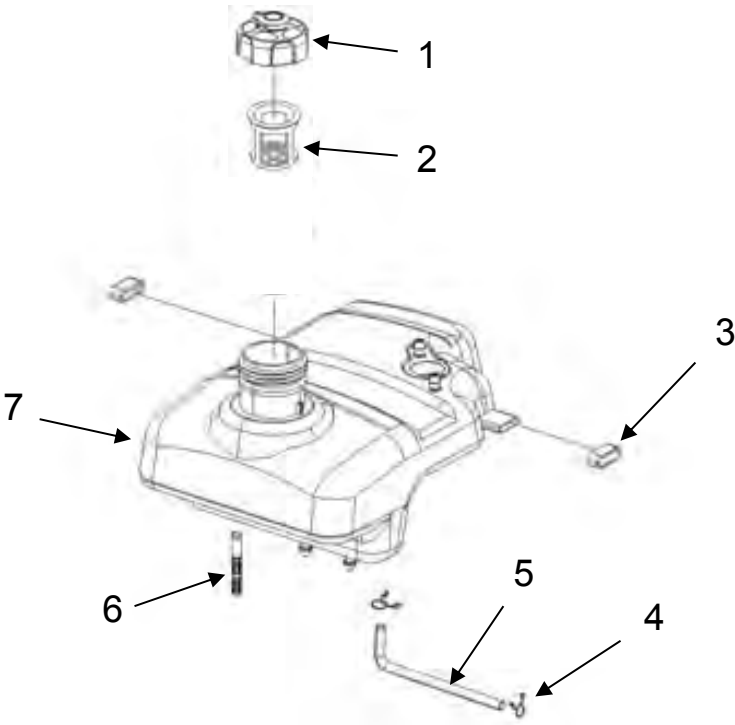
Flywheel



1. Bolt
2. Spark plug wire
3. Spark plug boot
4. Ignition coil
5. Flywheel assembly
6. Flywheel nut

7. Bolt
8. Ignition armature
9. Bolt
10. Oil sensor
11. Bolt
12. Clamp

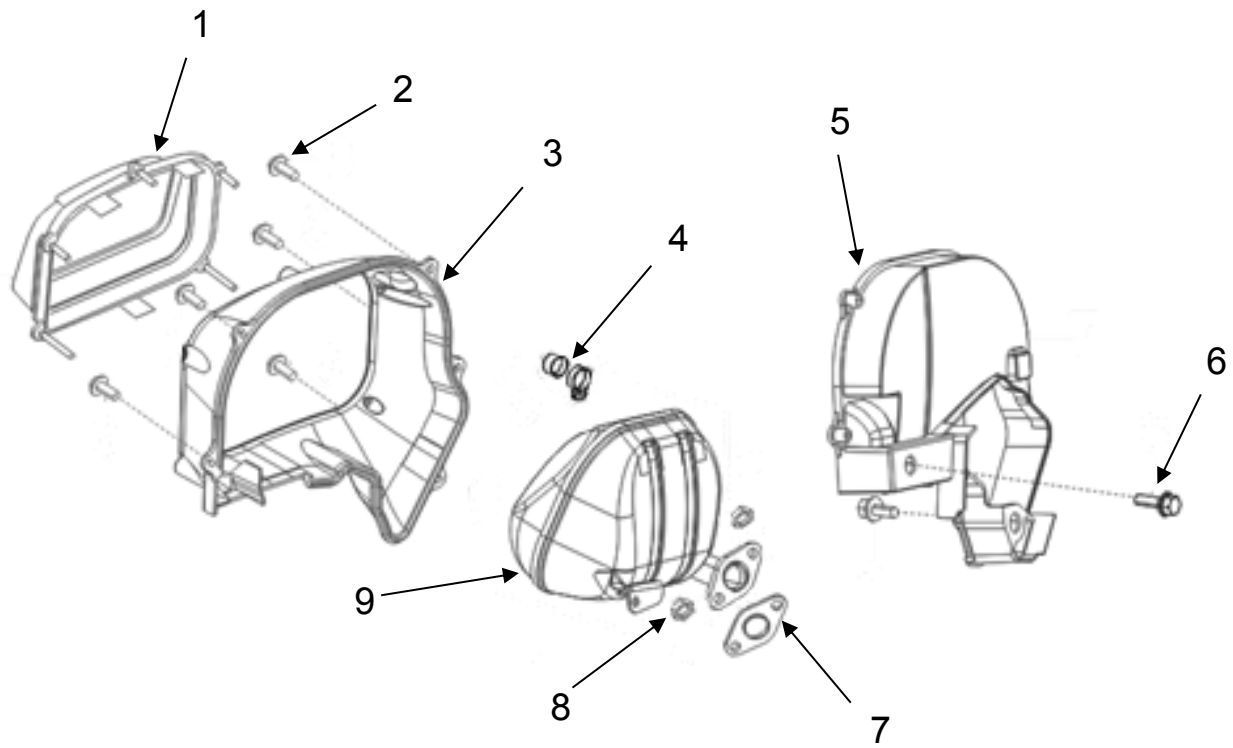
Fuel Tank



- 1. Fuel cap
- 2. Fuel strainer
- 3. Bushing
- 4. Hose clamp

- 5. Fuel line
- 6. Fuel filter
- 7. Fuel tank

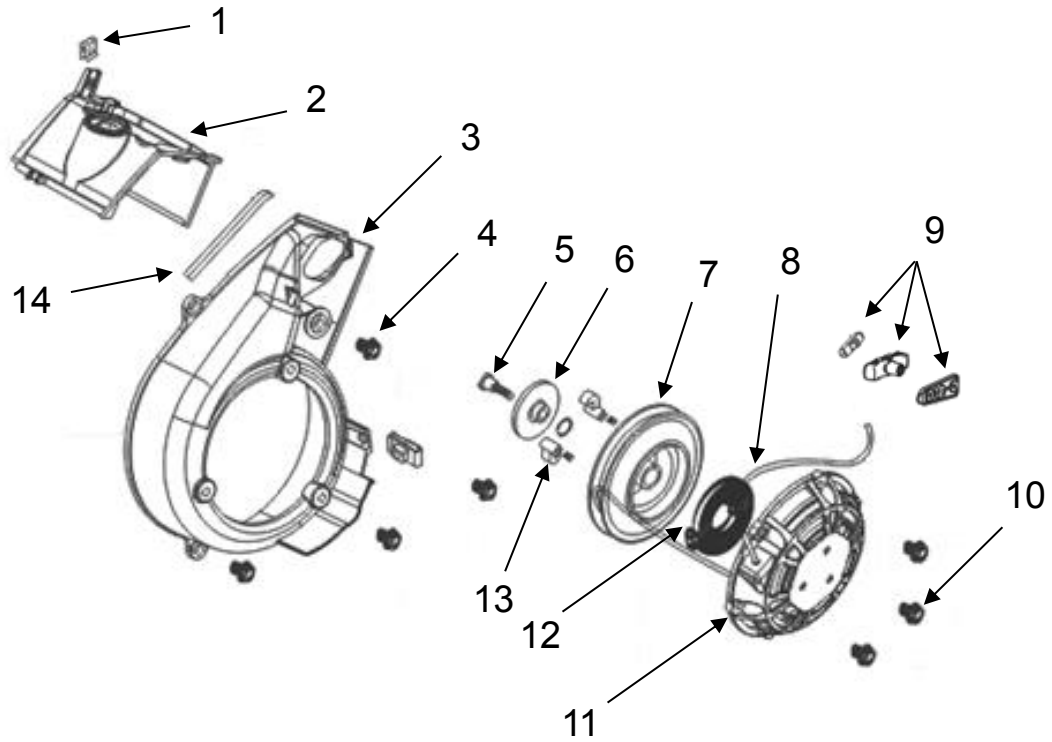
Muffler



1. Muffler side cover
2. Screw
3. Muffler shroud
4. Spark arrestor
5. Muffler shield

6. Bolt
7. Exhaust gasket
8. Nut
9. Muffler assembly

Recoil Starter



1. Limit card
2. Air deflector
3. Shroud
4. Bolt
5. Locking screw
6. Drive guide
7. Recoil starter pulley

8. Recoil pull cord
9. Handle assembly
10. Bolt
11. Housing
12. Starter spring
13. Drive cam/return spring assembly
14. Shroud seal strip

TROUBLESHOOTING

Issue:	Possible Cause:	Solution:	Check:
Engine Will Not Start	Generator switch in the off "0" position	Turn the generator switch to the correct position.	Start the engine
	Generator inclined	Move generator to a level position.	
	Not enough oil in the engine	Check the oil level. If low, add the recommended oil.	
	Dirty air filter	Check the air filter. Clean or replace as needed.	
	Oil in the combustion chamber	Remove spark plug, turn generator switch to off "O" position, pull recoil starter multiple times to remove oil from combustion chamber.	
	No fuel	Fill the fuel tank	
	Old or contaminated fuel	Drain and refill if necessary.	
	No fuel at the carburetor	Make sure the generator switch is in the on "I" position.	
		Check the vacuum relief in the fuel cap. If plugged clean the vacuum relief.	
	Not enough fuel to the engine	Make sure the needle valve is closing properly. Clean or replace as needed.	
		Inspect the fuel nozzle. Clean if needed.	
		Inspect the float. If the float is damaged or sticking, repair or replace as needed.	
	Engine flooded	Wait 5 minutes.	
		Remove and clean the spark plug. Suction out fuel or let fuel evaporate before reinstalling spark plug.	
	No spark	Inspect the spark plug. Clean the spark plug, adjust the spark plug gap, or replace the spark plug as necessary.	
		Inspect the spark plug wire. Replace if damaged. Check the resistance. If the resistance is out of tolerance, replace the wire.	
		Check the wiring to make sure that none of the wires are shorted to ground.	
	Cylinder pressure	Inspect the cylinder head bolts to make sure they are properly torqued to 40±3 N·m. Tighten if needed.	
		Check the valve clearance and seats. Adjust or repair as needed.	
		Inspect the cylinder head gasket. Replace if damaged.	
Inspect the cylinder head and cylinder block surfaces for flatness. Repair or replace if out of tolerance.			
If the engine still will not start:	Rebuild the engine, replace the engine, or consider replacing the unit.		

Issue:	Possible Cause:	Solution:	Check:
Engine Starts But Runs Rough or Does Not Have Enough Power	Dirty air filter	Check the air filter. Clean or replace as needed	Start the engine. Check if it has power or runs rough
	Generator inclined	Move generator to a level position.	
	Air in fuel line or fuel line clogged	Check the fuel line. Clear or replace as needed.	
	Not enough fuel to the engine	Make sure the needle valve is closing properly. Clean or replace as needed.	
		Inspect the fuel nozzle. Clean if needed.	
		Inspect the float. If the float is damaged or sticking, repair or replace as needed.	
	Engine Smart Control switch on	Turn the Engine Smart Control switch off.	
	Carbon built up in combustion chamber	Remove the cylinder head and clean if needed.	
	Cylinder pressure	Check the valve clearance. Refer to the Maintenance Specifications chart for the proper value. Adjust or repair as needed.	
		Inspect the cylinder head gasket. Replace if damaged.	
If the engine still has low power:	Rebuild the engine, replace the engine, or consider replacing the unit.		
Engine Shuts Down	Out of fuel	Check the fuel level. Fill the tank if necessary.	Start the engine. Check if it shuts down
	Not enough oil in the engine	Check the oil level. If low, add the recommended oil.	
	Dirty air filter	Clean the air filter.	
	Generator overloaded	Unplug some of the devices.	
	Vacuum relief valve in off "O" position	Turn vacuum relief valve to on "I" position.	
	If the engine still shuts down:	Rebuild the engine, replace the engine, or consider replacing the unit.	
Engine Making Unusual Sound	Knocking	Check the engine temperature. If the engine is running too hot, refer to the section on overheating.	Start the engine. Check for unusual sound
		Make sure the fuel is good and the proper rating. Drain and refill the fuel tank if necessary.	
		Check the valve clearance. Refer to the Maintenance Specifications chart for the proper value. Adjust or repair as needed.	
		Check for carbon deposits in the cylinder. Clean if needed.	
		Inspect the piston and piston rings. If the piston or rings are worn or broken, replace the defective part.	
		Inspect the piston pin and piston pin hole. Replace if worn.	
	If the engine still makes an unusual sound:	Rebuild the engine, replace the engine, or consider replacing the unit	

Issue:	Possible Cause:	Solution:	Check:
Engine Overheating	Low Oil	Check the oil. Refill the oil or change the oil as needed.	Start the engine and let it reach operating temperature. Check the temperature.
	Exhaust pipe blocked	Check the exhaust. If blocked, clear the blockage.	
	Debris in cooling fins	Remove the debris.	
	Cylinder or piston or piston ring worn	Inspect cylinder, piston, and piston rings. Replace if needed.	
	Connecting rod deformed	Inspect connecting rod. Replace if needed.	
	If the engine still overheats:	Rebuild the engine, replace the engine, or consider replacing the unit	
Engine Runs, But Generator Provides No Power or Low Power	Generator overloaded, overload light is on	Turn off and unplug all electrical devices, shut down the engine, wait 10-15 minutes and start the engine, connect fewer or lighter electrical loads.	Start the engine and check the output voltage
	Circuit breaker is open	Close the circuit breaker.	
	Bad connection	Stop the engine and check the connections.	
	Defective power cord	Replace the cord.	
	Defective device plugged in	Unplug defective device.	
	Bad inverter control connection or defective inverter control	Check the voltages and connections. Tighten any loose connections. Replace the inverter control.	
	Poor stator or rotor lead contact	Check the contacts. Tighten or replace as needed.	
	Poor panel, meter, or socket contact		
	Engine Smart Control switch on	Turn the Engine Smart Control switch off.	
	Defective winding or winding connection	Check each winding. Check connections to ground. Tighten any loose connections and replace any defective parts.	
If there is still no power or low power:	Rebuild or replace the generator, or consider replacing the unit.		

APPENDIX

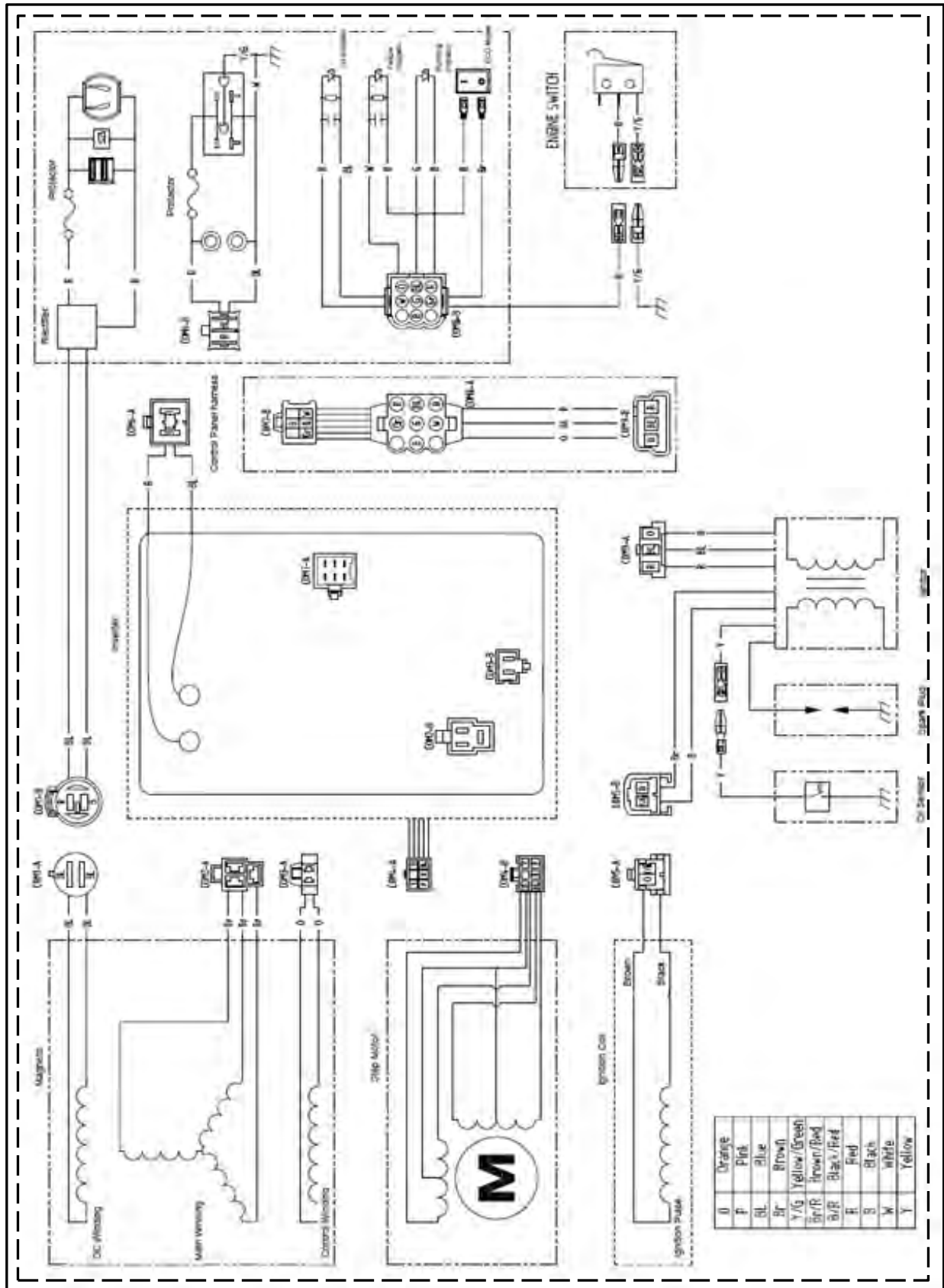
Product Specifications

Engine	Engine Type	Single Cylinder, 4-Stroke, Forced Air Cooling
	Displacement (cc)	80
	Ignition System	Electronic
	Spark Plug Gap	.024 - .028 inches (0.6 – 0.7mm)
	Fuel Volume	1 U.S. gallon (3.8L)
	Fuel Consumption (g/(kW·h))	≤450
	100% load continuous running time (hr)	3.5
	50% load continuous running time (hr)	6
	Oil Capacity	0.40 quart (0.38L)
Generator	Rated Output (DC)	12V 8.3A
	Rated Frequency (Hz)	60
	Rated Voltage (V)	120
	Rated Output Power (kW)	1.8
	Surge Output Power (kW)	2
	Phase	Single
	Total Harmonic Distortion	< 3%

Maintenance Specifications

Item	Specification	Service Limit
Maximum speed (no load)	4650 rpm	-
Compression (at 1400 rpm)	0.95 - 1.25MPa	< 0.95MPa
Cylinder bore I.D.	48.6mm	48.655mm
Cylinder head cover flatness	-	0.10mm
Piston skirt O.D.	48.57 – 48.59mm	48.47mm
Piston to cylinder clearance	0.010 – 0.045mm	0.135mm
Piston pin bore I.D.	11.002 – 11.01mm	11.02mm
Piston pin O.D.	10.994 – 11.00mm	10.984mm
Pin to pin bore clearance	0.002 – 0.016mm	0.02mm
Piston ring side clearance	0.015 – 0.05mm	0.09mm
Piston ring gap	0.15 – 0.30mm	0.60mm
Piston oil ring gap	0.20 – 0.70mm	1.0mm
Piston ring width	0.97 – 0.99mm	0.92mm
Piston oil ring width	0.385 – 0.425mm	0.355mm
Connecting rod piston end I.D.	11.006 – 11.017mm	11.05mm
Connecting rod crank end I.D.	22.0 – 22.013mm	22.04mm
Oil clearance	0.020 – 0.043mm	0.20mm
Crank end side clearance	0.35 – 0.85mm	1.1mm
Crankshaft pin O.D.	21.97 – 21.98mm	21.87mm
Intake valve clearance	0.05 ± 0.02mm	0.10mm
Exhaust valve clearance	0.05 ± 0.02mm	0.10mm
Intake valve stem O.D.	3.97 – 3.985mm	3.87mm
Exhaust valve stem O.D.	3.935 – 3.95mm	3.835mm
Valve guide I.D.	8.2 – 9mm	9.021mm
Intake valve stem clearance	0.015 – 0.042mm	0.30mm
Exhaust valve stem clearance	0.050 – 0.077mm	0.30mm
Splash cover width	3.3 – 3.6mm	3.7mm
Valve spring free length	28.5mm	25.5mm
Camshaft intake lobe	20.54mm	20.34mm
Camshaft exhaust lobe	20.54mm	20.34mm
Camshaft journal O.D.	15.95 – 16.05mm	15.85mm
Camshaft bracket I.D.	15.95 – 16.05mm	15.85mm
Carburetor main jet	0.67mm	-
Spark plug gap	0.60 – 0.80mm	-
Spark plug wire resistance	3.0 – 12.0kΩ	-
Primary ignition coil resistance	-	-
Secondary ignition coil resistance	3.5kΩ	-
Ignition coil air gap	0.35 – 0.65mm	-
Stator winding resistance	0.95Ω ± 10% at 25°C	-
Stator auxiliary winding resistance	0.43Ω ± 10% at 25°C	-
DC windings	0.12Ω ± 10% at 25°C	-

Electrical Schematic





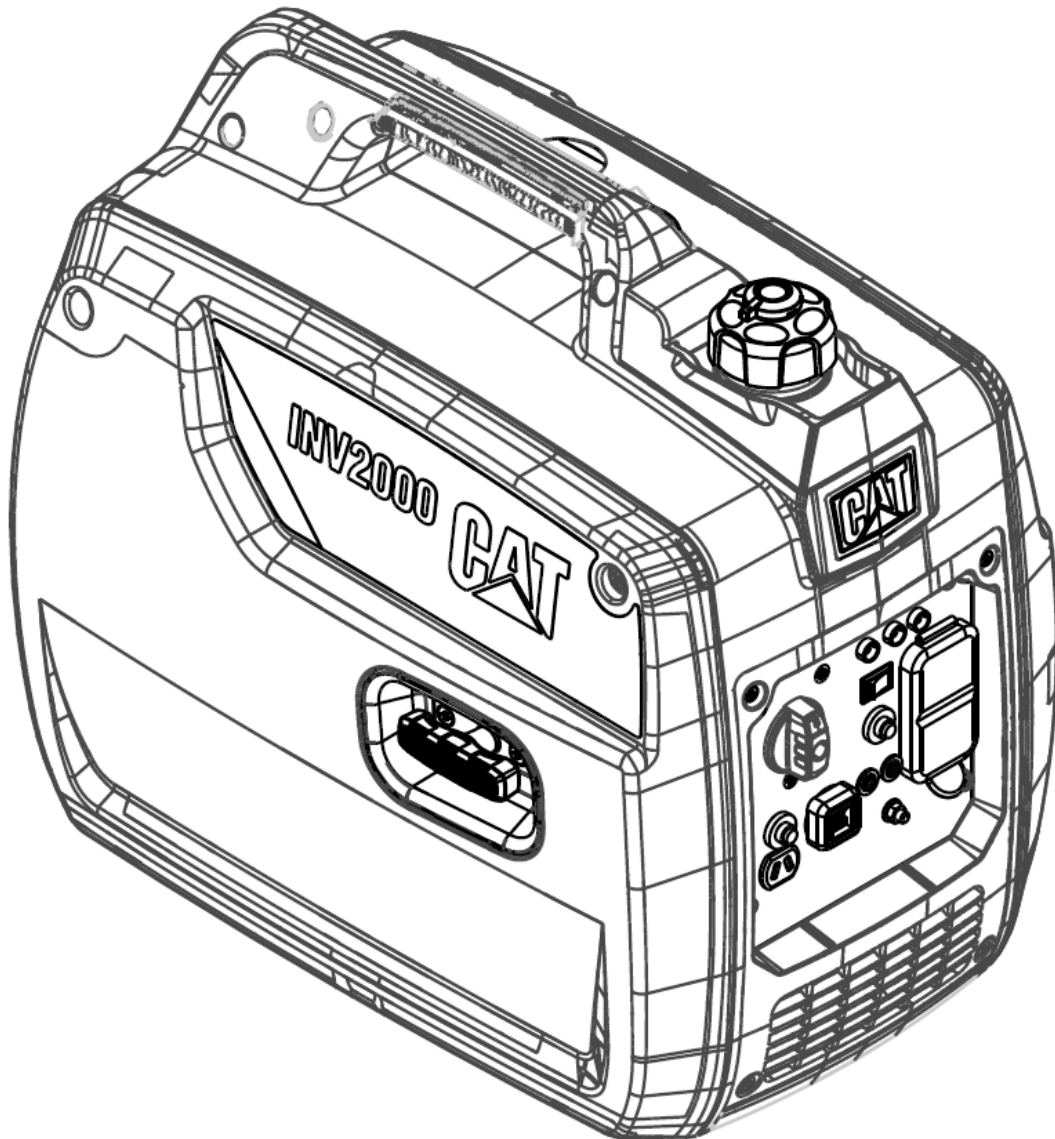
©2017 Caterpillar
All Rights Reserved

CAT, CATERPILLAR, their respective logos, "Caterpillar Yellow", and the POWER EDGE trade dress as well as corporate and product identity used herein, are trademarks of Caterpillar and may not be used without permission.



Manual de servicio

Generador portátil INV2000



Información importante de seguridad

La mayoría de accidentes relacionados con la operación, mantenimiento y reparación del producto se deben a no haber seguido reglas de seguridad o precauciones básicas. Con frecuencia es posible evitar los accidentes reconociendo antes las posibles situaciones de peligro. La persona debe estar alerta a los posibles peligros, incluyendo los factores humanos que puedan afectar a la seguridad. Esta persona también debe contar con la capacitación, habilidades y herramientas necesarias para desempeñar adecuadamente estas funciones.

Encontrará precauciones y advertencias de seguridad en este manual y en el producto mismo. Si no hace caso de estas advertencias de peligro, usted o terceras personas podrían sufrir lesiones, incluso mortales. Los peligros se identifican con el “Símbolo de alerta de seguridad” seguido por una “Palabra de aviso” tal como “PELIGRO”, “ADVERTENCIA” o “PRECAUCIÓN”.

Caterpillar no puede prever todas las circunstancias que puedan implicar un peligro potencial. Las advertencias de este manual y las situadas sobre el producto no incluyen todas las posibles circunstancias. En ningún caso debe utilizar este producto de forma diferente a la indicada en este manual, sin haberse asegurado antes de haber considerado todas las normas y precauciones de seguridad relacionadas con la operación del producto en el lugar de uso, incluyendo normas y precauciones específicas aplicables en el lugar de trabajo. Si usa una herramienta, procedimiento, método de trabajo o técnica que no haya recomendado explícitamente Caterpillar, deberá asegurarse usted mismo de que es seguro para usted y para los demás. También deberá asegurarse de que está autorizado a realizar ese trabajo y de que el producto no sufrirá daños ni resultará peligroso debido a las tareas de funcionamiento, lubricación, mantenimiento o reparación que pretenda realizar.

La información, especificaciones e ilustraciones de este manual se basan en la información disponible en el momento de su redacción. Las especificaciones, pares, presiones, medidas, ajustes, ilustraciones y otros elementos pueden variar en cualquier momento. Estos cambios pueden afectar al mantenimiento del producto. Consiga la información más actualizada y completa antes de comenzar cualquier trabajo.

En los Estados Unidos, el mantenimiento, reemplazo o reparación de los dispositivos y sistemas de control de emisiones puede ser realizado por cualquier establecimiento de reparación o persona de la elección del propietario.

Este manual contiene información de seguridad, mantenimiento, solución de problemas y montaje y desmontaje. El manual deberá guardarse cerca del producto. Lea atentamente el manual y guárdelo junto con el resto de documentación del producto.

Advertencia sobre la Proposición 65 del estado de California



ADVERTENCIA

Este producto y los accesorios relacionados con él pueden exponerlo a químicos como el benceno, conocido por el estado de California como causante de cáncer y defectos de nacimiento u otros daños reproductivos. Para obtener más información, visite www.P65Warnings.ca.gov. Para reducir el riesgo de ser víctima de alguno de estos peligros para la salud, evite inhalar los humos del aceite, la gasolina y el escape del motor. Lávese las manos después de su uso.

Índice

Advertencia sobre la Proposición 65 del estado de California	2
AVISOS DE SEGURIDAD.....	5
Otros avisos	6
Requisitos especiales.....	6
IDENTIFICACIÓN DE COMPONENTE	7
Modelo de motor y número de serie	8
Mantenimiento	9
Mantenimiento programado con regularidad.....	9
Herramientas especiales	9
Procedimientos de mantenimiento y servicio	10
Comprobación del filtro de aire	10
Inspección y reemplazo del árbol de levas	10
Inspección y ajuste del carburador	11
Servicio del panel de control.....	12
Inspección y reemplazo del cigüeñal	13
Revisión de la presión del cilindro	13
Comprobación del nivel de aceite de motor	13
Sustitución del aceite de motor.....	14
Inspección y reemplazo de la válvula del motor.....	14
Reemplazo de la línea de combustible y el filtro	17
Limpieza del filtro y el tapón del depósito de combustible.....	18
Inspección del generador	18
Kits para altitudes elevadas.....	18
Inspección y reemplazo del silenciador	18
Revisión de la chispa.....	19
Inspección/limpieza/sustitución del apagachispas	19
Inspección/ajuste/sustitución de la bujía	19
Inspección visual	20
Comprobación de los devanados	20
ALMACENAMIENTO	21
Almacenamiento entre 1 y 3 meses.....	21
Almacenamiento por más de 3 meses.....	21
DIAGRAMAS	22
Carcasa del filtro de aire.....	22
Alternador.....	23
Carburador	24
Panel de control	26

Cárter y pistón	27
Cabeza del cilindro y válvulas	28
Volante de inercia.....	30
Depósito de combustible	31
Silenciador	32
Arrancador retráctil.....	33
RESOLUCIÓN DE PROBLEMAS	34
APÉNDICE	37
Especificaciones del producto	37
Especificaciones de mantenimiento.....	38
Esquema eléctrico.....	39

AVISOS DE SEGURIDAD

En su generador encontrará diversos avisos específicos de seguridad. Familiarícese con todos estos avisos.

Asegúrese de que estos avisos se pueden leer sin problemas. Mantenga los avisos de seguridad limpios y sustitúyalos cuando no sea posible leer el texto o ver los dibujos. Utilice un paño con agua y jabón para limpiarlos. No utilice disolventes, gasolina o productos químicos agresivos. Los disolventes, la gasolina o los productos químicos agresivos podrían desprender el adhesivo que sujeta los avisos de seguridad.

Si falta algún aviso de seguridad o está dañado, sustitúyalo. Si sustituye una pieza del generador que tiene un aviso de seguridad, coloque un nuevo aviso de seguridad en la pieza de repuesto.



Lea el manual

ADVERTENCIA

No utilice ni realice trabajos en el generador sin antes haber leído y comprendido las instrucciones y advertencias de este manual de usuario. De lo contrario, podría sufrir lesiones incluso mortales. Es su responsabilidad actuar con cuidado.

Superficie caliente / No tocar / Material inflamable








ADVERTENCIA

Las piezas o componentes calientes podrían causar quemaduras o lesiones. Las piezas o componentes calientes no deben entrar en contacto con su piel. Utilice ropa o equipos de protección para proteger su piel. El escape caliente representa un posible peligro de incendio. Asegúrese de que no haya ningún elemento inflamable a 3 metros o menos de distancia del escape.



Monóxido de carbono

 DANGER	
Using a generator indoors CAN KILL YOU IN MINUTES. Generator exhaust contains carbon monoxide. This is a poison you cannot see or smell.	
 NEVER use inside a home or garage, EVEN IF doors and windows are open.	 Only use OUTSIDE and far away from windows, doors, and vents.
 DANGER	 PELIGRO
Utiliser un générateur à l'intérieur PEUT VOUS TUER EN QUELQUES MINUTES. Les gaz d'échappement du générateur contiennent du monoxyde de carbone. C'est un gaz toxique invisible et inodore. <ul style="list-style-type: none"> • NE JAMAIS utiliser à l'intérieur d'une maison ou d'un garage, MÊME SI les portes et les fenêtres sont ouvertes. • Utiliser UNIQUEMENT à l'EXTÉRIEUR et loin des fenêtres, portes et ventilations. 	Utilizar el generador en ambientes cerrados PUEDE MATARTE EN MINUTOS. El escape del generador contiene monóxido de carbono. Este es un gas altamente tóxico sin olor ni color. <ul style="list-style-type: none"> • NUNCA lo utilice dentro de una casa o garage, AUNQUE las puertas y ventanas estén abiertas. • Úselo solo en EXTERIORES y lejos de ventanas, puertas y respiraderos.

Si usa un generador en interiores podría morir en pocos minutos. El escape del generador contiene monóxido de carbono. El monóxido de carbono es un veneno que no tiene olor ni se puede ver. Nunca lo use dentro de una casa o garaje, aunque las puertas y ventanas estén abiertas. Úselo sólo en exteriores y lejos de ventanas, puertas y respiraderos. Si experimenta mareos, dolores de cabeza, náuseas o fatiga retírese inmediatamente para respirar aire fresco y busque atención médica.



Descarga eléctrica

PELIGRO

Peligro de descarga eléctrica o electrocución: No utilice ni realice trabajos en este equipo sin antes haber leído y comprendido las instrucciones y advertencias de este manual de usuario. De lo contrario, podría sufrir lesiones incluso mortales.

⚠️ ADVERTENCIA

El funcionamiento de este equipo puede generar chispas que pueden provocar incendios en torno a vegetación seca. Puede requerirse un supresor de chispas. El operario debe ponerse en contacto con los organismos locales de bomberos para obtener información sobre las leyes o reglamentos relacionados con los requisitos de prevención de incendios.

Código 119080 de Salud y Seguridad de California

⚠️ ADVERTENCIA

La retroalimentación hacia el sistema de distribución de la red eléctrica puede ocasionar daños materiales y lesiones severas o mortales.

No conecte el generador al sistema eléctrico de un edificio sin antes haberlo aislado del sistema de energía de la red eléctrica a través del interruptor principal. Para instalaciones permanentes, solamente se debe realizar la conexión mediante un interruptor de doble tiro con el fin de aislar al edificio del sistema de energía de la red eléctrica. Consulte a un técnico calificado para asegurar un uso e instalación adecuados. Cumpla con todas las leyes aplicables y códigos eléctricos.

Otros avisos

	No utilizar en condiciones de humedad
	No fume, evite acercar llamas abiertas o chispas.
	Mantenga un mínimo de distancia de 5 pies (1.5 metros) de otros objetos.
	Asegurarse de que la puesta a tierra del equipo es correcta.
	Conexión a tierra

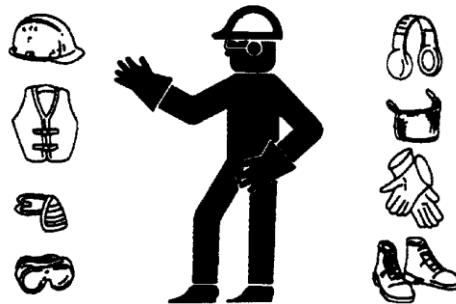
Requisitos especiales

Los equipos eléctricos, incluyendo los cables y enchufes, deben taparse y protegerse de la humedad.

En todas las instalaciones de grupos electrógenos, el bastidor del generador debe estar puesto a tierra. Para ello cuenta con un borne de puesta a tierra.

El INV2000 cuenta con un conductor neutro permanente fijo al bastidor.

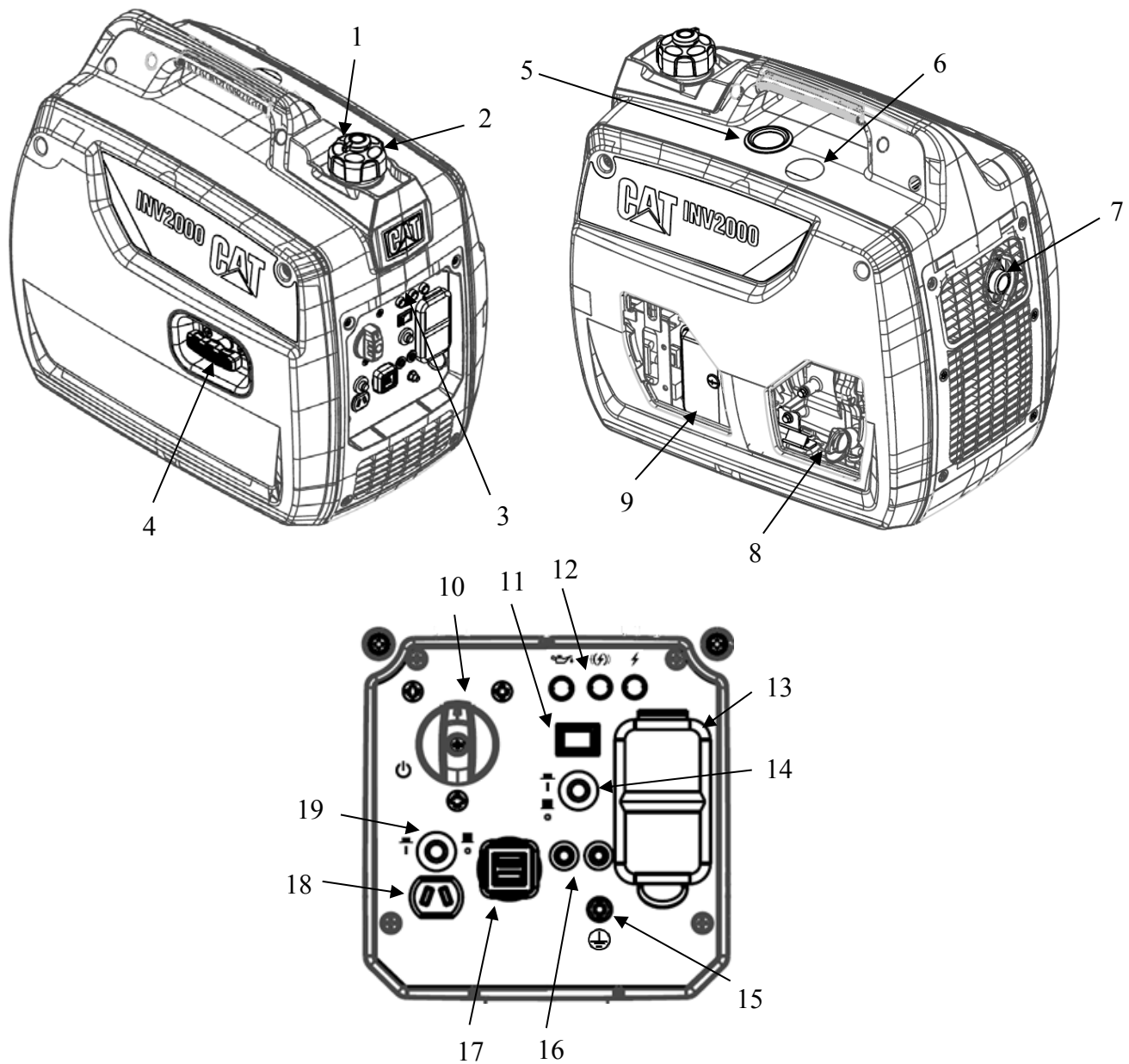
Para 120 VAC, use cables de extensión clasificados para 125 V a 20 A o más. Utilice el cable de extensión más corto posible que cumpla estas características.



- Utilice casco, lentes protectores y otros equipos de protección según sea necesario.
- Si está trabajando cerca de un motor en funcionamiento, utilice protección auditiva para evitar daños en los oídos.
- No lleve ropa holgada o joyas que se puedan quedar enganchadas en los controles u otras partes del motor.
- Asegúrese de que todas las protecciones y cubiertas están correctamente colocadas en el motor.
- No utilice recipientes de vidrio para los fluidos de mantenimiento. Los recipientes de vidrio podrían romperse.
- Utilice con cuidado todos los productos de limpieza.

Los interruptores de circuito tienen que ser adecuados a las especificaciones del generador. Si hay que sustituir los interruptores de circuito, los interruptores de circuito nuevos deberán tener las mismas características técnicas.

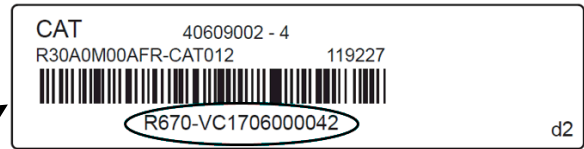
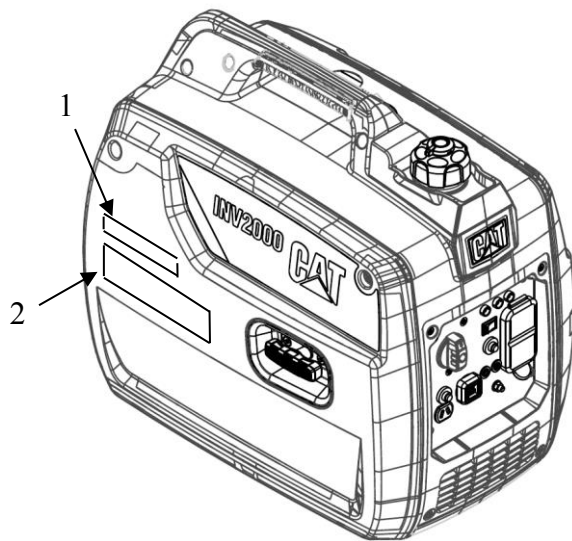
IDENTIFICACIÓN DE COMPONENTE



- | | |
|---|--|
| 1) Válvula de liberación de vacío | 11) Interruptor de control inteligente del motor (ESC) |
| 2) Tapón del depósito de combustible | 12) Pantallas LED |
| 3) Luz del panel | 13) Toma doble 120 V CA GFCI |
| 4) Arrancador retráctil | 14) Cortacircuitos de CA (corriente alterna) |
| 5) Indicador de combustible | 15) Borne de puesta a tierra |
| 6) Cubierta de la bujía | 16) Entradas paralelas |
| 7) Apagachispas | 17) Entrada doble para USB |
| 8) Indicador de aceite/ llenado de aceite/ drenaje de aceite* | 18) Toma de -12 V CA, 8.3 A |
| 9) Conjunto del filtro de aire* | 19) Cortacircuitos de CC |
| 10) Interruptor del generador | |

*detrás de la tapa de acceso al motor

Modelo de motor y número de serie



Los generadores portátiles Cat® se identifican mediante números de modelo, números de serie y números de especificaciones de rendimiento. El número de modelo y las especificaciones de rendimiento están situados en la placa de valores (2). El número de serie está situado en la placa del número de serie (1).

Mantenimiento

Mantenimiento programado con regularidad

A continuación se incluyen los intervalos para el mantenimiento normal del producto. El apartado "Procedimientos de mantenimiento y servicio" incluye los procedimientos normales de mantenimiento así como procedimientos de servicio más detallados que el usuario típico puede no ser capaz de realizar. NO intente realizar ningún procedimiento que usted no esté calificado para realizar.

Asegúrese de haber leído y entendido toda la información de seguridad, advertencias e instrucciones antes de que cualquier operación o procedimiento de mantenimiento sean ejecutados.

Utilice las horas de servicio o los días del calendario, EL PLAZO QUE VENZA PRIMERO, para determinar los intervalos correctos de mantenimiento.

Detenga el motor antes de realizar el mantenimiento. Ponga el motor en posición horizontal y quite el tapón de la bujía para impedir que el motor arranque. Nunca opere el motor en una sala sin ventilación o cualquier otra área cerrada.

Cuando sea necesario:

Limpieza del filtro y el tapón del depósito de combustible

Con cada uso:

Comprobación del nivel de aceite de motor
Inspección visual

Primeras 8 horas de servicio o 1 mes:

Sustitución del aceite de motor

Cada mes:

Inspección del generador

Cada 25 horas de servicio o 3 meses:

Sustitución del aceite de motor
Comprobación del filtro de aire

Cada 50 horas de servicio o 3 meses:

Inspección/limpieza/sustitución del apagachispas

Cada 100 horas de servicio o 6 meses:

Inspección/ajuste/sustitución de la bujía

Cada 300 horas de servicio o 1 año:

Limpieza de la cabeza del cilindro
Comprobación del juego de las válvulas del motor

Cada 2 años:

Circuito de combustible: compruebe su estado o replácelo si es necesario

NOTA: Solamente utilice piezas originales Caterpillar.

Herramientas especiales

Las siguientes herramientas pueden ser necesarias para ejecutar los procedimientos de servicio:

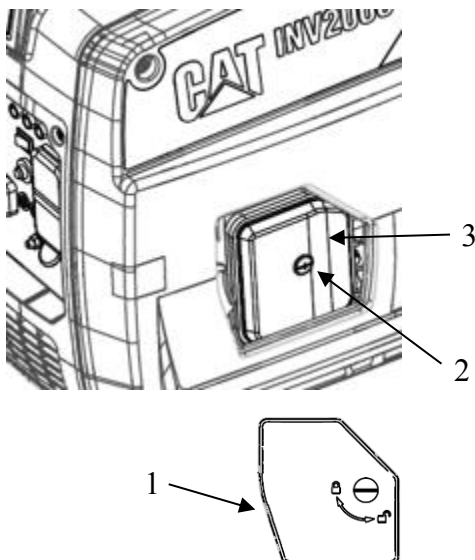
- Montador de rodamiento
- Extractor de rodamiento
- Medidor de compresión
- Montador de volante de inercia
- Megóhmetro
- Micrómetro
- Multímetro (voltios y ohmios)
- Montador de pistón
- Extractor de anillo de pistón
- Compresor de anillo
- Montador de guía de válvula
- Escariador de guía de válvula
- Cortador de asiento de válvula 32°
- Cortador de asiento de válvula 45°

Procedimientos de mantenimiento y servicio

Comprobación del filtro de aire

Un filtro de aire sucio limitará el flujo de aire en el carburador, provocará un ahorro insuficiente de combustible y puede dañar el motor. Para mantener el generador en buenas condiciones de servicio, realice el mantenimiento del filtro de aire de manera regular. Realice el mantenimiento con mayor frecuencia si el generador se utiliza en entornos con mucho polvo.

Nota: Nunca utilice el generador si el filtro de aire no está colocado. Utilizar el generador sin el filtro de aire aceleraría el desgaste del motor.



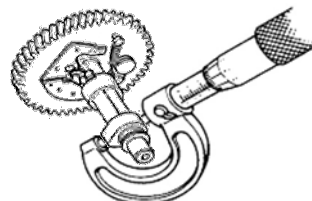
Abra la tapa de mantenimiento izquierda (1). Quite el tornillo de la cubierta del filtro de aire (2) y la cubierta del filtro de aire (3) levantando la tapa de mantenimiento. Verifique que el filtro de aire está limpio y sin daños. Si el filtro de aire está sucio, lávelo. Si el filtro de aire está dañado, sustitúyalo.

Lave el filtro con un disolvente no inflamable o con una mezcla de detergente doméstico y agua tibia. Enjuague bien el filtro para eliminar totalmente el producto de limpieza. Luego de que el filtro se haya secado, vierta una pequeña cantidad de aceite para motor en el filtro y estrújelo para distribuir la misma. Quite el exceso de aceite y reemplace el filtro.

Nota: No saque el filtro. Si lo hace, el filtro podría resultar dañado.

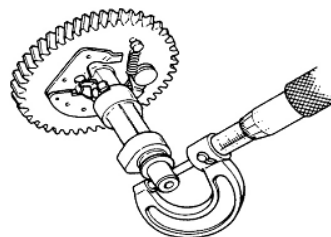
Utilice un trapo húmedo para limpiar todo el polvo de la tapa y la cubierta. Instale el filtro en la carcasa. Coloque la cubierta del filtro de aire sobre el filtro y vuelva a colocar el tornillo. Vuelva a colocar la tapa de mantenimiento.

Inspección y reemplazo del árbol de levas



Inspeccione el árbol de levas en busca de daños o desgaste anormal. Mida el levantamiento en los lóbulos del árbol de levas. Los límites aceptables para el levantamiento se muestran en la siguiente tabla. Si el levantamiento está fuera del rango aceptable, reemplace el árbol de levas.

Modelo:	Lóbulo:	Levantamiento normal:	Levantamiento mínimo:
INV2000	Entrada	20.54 mm	20.34 mm
	Escape	20.54 mm	20.34 mm

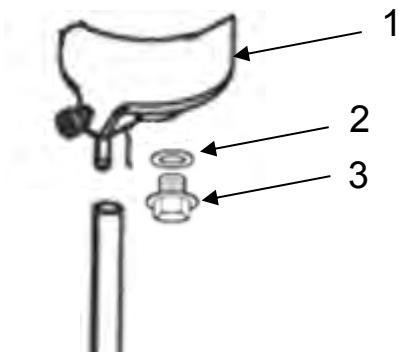


Mida el diámetro exterior del árbol de levas. Los límites aceptables para el diámetro se muestran en la siguiente tabla. Si el diámetro está fuera del rango aceptable, reemplace el árbol de levas.

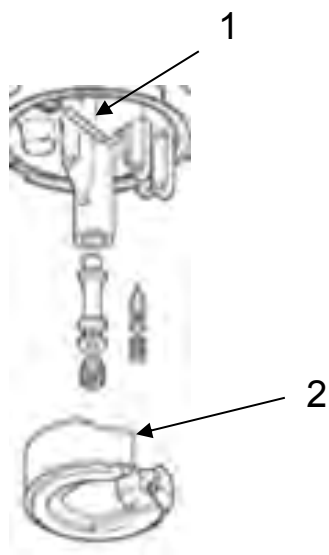
Modelo:	Normal:	Mínimo:
INV2000	16.0 mm	15.85 mm

Inspección y ajuste del carburador

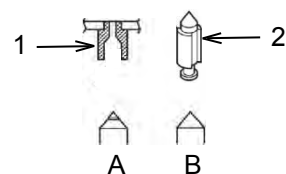
Retire el panel lateral (al costado con las tapas de acceso para mantenimiento) quitando los 2 tornillos y levantándolo hacia afuera (tenga cuidado para no romper las lengüetas de sujeción). Retire el filtro de aire y la carcasa. Use un recipiente adecuado para drenar el combustible de la manguera (conectada a la parte inferior del carburador) al retirar el carburador. Deseche el combustible adecuadamente. Limpie la superficie exterior del carburador antes de desmontarlo.



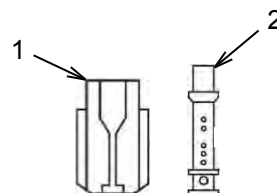
Retire el tornillo (3) y la junta (2). Cuidadosamente retire la cámara del flotador (1), evitando que caiga cualquier pieza pequeña.



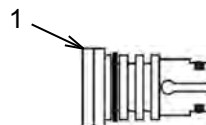
Retire la varilla del flotador (1) y retire el flotador (2) cuidadosamente, evitando que caigan las piezas pequeñas. Limpie las partes internas con limpiador para carburador y aire comprimido.



Revise el asiento de la válvula del flotador (1) y la válvula del flotador (2) en busca de desgaste. La Figura A muestra una válvula de flotador desgastada que necesita reemplazo. La figura B muestra una válvula de flotador que puede seguir siendo utilizada.



Inspeccione el inyector principal de combustible (1) y la boquilla principal de combustible (2). Si presentan desgaste, reemplácelos.



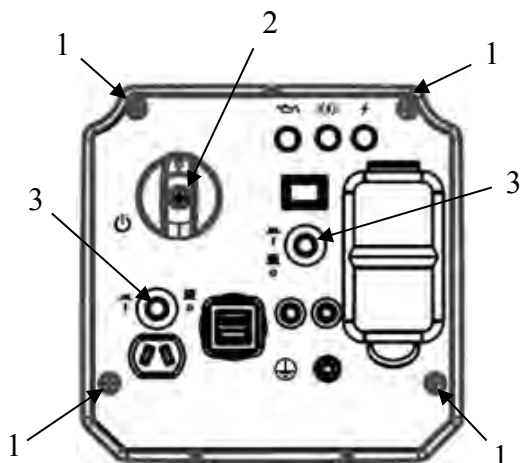
Inspeccione el inyector del régimen de ralentí (1). Reemplácelo si presenta daño. Aplique una capa delgada de aceite a las juntas tóricas antes de volverlas a colocar.

Después de volver a instalar el flotador, presione ligeramente con un dedo para asegurarse de que el flotador se mueve libremente. Asegúrese de que la válvula del flotador está en contacto con el asiento de la válvula y el resorte no está comprimido.

Coloque la cámara del flotador en su lugar para que se pueda acceder a la manguera de drenaje a través de la tapa de mantenimiento. Coloque la junta y el tornillo para fijar la cámara del flotador en su lugar.

Reinstale el carburador. Después de encender la unidad, revise en busca de fugas.

Servicio del panel de control



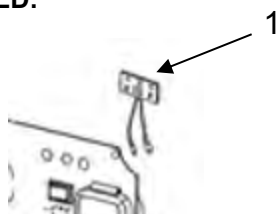
Retire los cuatro tornillos (1). Retire el tornillo del interruptor del generador (2) y coloque el interruptor del generador hacia adelante. Retire ambas tuercas del disyuntor (3) desenroscándolas. Jale la cubierta del panel de control lentamente hacia adelante y hacia arriba. Asegúrese de que los cables se mueven libremente y no están dañados. Etiquete los cables para identificarlos y después desconecte el cableado eléctrico. Retire la cubierta frontal y colóquela sobre una superficie que permita proteger el panel de cualquier daño.

Cortacircuitos:



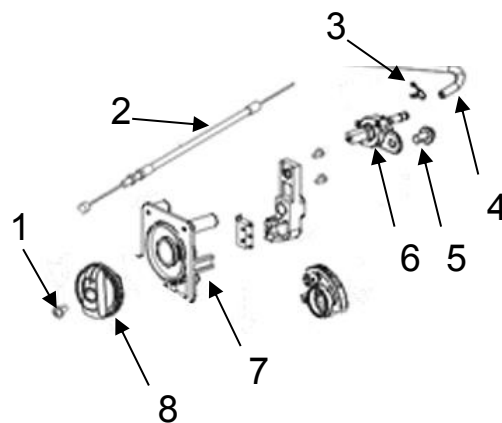
Cada cortacircuitos está fijado al panel mediante una media tuerca localizada en la parte frontal del panel. Etiquete los cables para identificarlos y desconecte el cortacircuitos. Retire la media tuerca de la parte frontal del panel y retire el cortacircuitos de la parte trasera del panel.

Pantallas LED:



Las pantallas LED (1) se fijan al panel con un soporte que se monta al panel desde la parte trasera. Desconecte el arnés del tomacorriente y retire el soporte. Retire las pantallas LED del soporte.

Interruptor del generador:



El interruptor del generador está fijado al panel mediante un tornillo (1). Retire el tornillo y la perilla (8) de la parte frontal del panel. La varilla del ahogador (2) está unida al interruptor del generador desde la parte trasera del panel. La línea de combustible (4) está unida con un ar (3) a la parte trasera del montaje del combustible (6), unido a la parte trasera del interruptor del generador con un tornillo (5). Retire el interruptor del generador (7) de la parte trasera del panel cuando esté todo desconectado.

Recipientes y cubiertas:



Cada recipiente (GFCI, DC y USB) está fijado al panel mediante dos tuercas. Etiquete los cables para identificarlos y retire los cables del recipiente. Retire las tuercas y después retire el recipiente de la parte trasera del panel. La cubierta del recipiente puede entonces ser retirada de la parte frontal del panel.

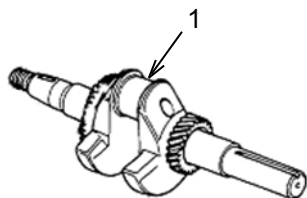
Borne de puesta a tierra:

El borne de puesta a tierra (1) está fijado al panel mediante una tuerca doble ubicada en la parte frontal del panel. Retire la tuerca doble de la parte frontal del panel y retire el borne de puesta a tierra de la parte trasera del panel.

Inspección y reemplazo del cigüeñal

Inspeccione el sellado de aceite del cigüeñal. Si el sello está dañado o muestra signos de filtración, reemplácelo.

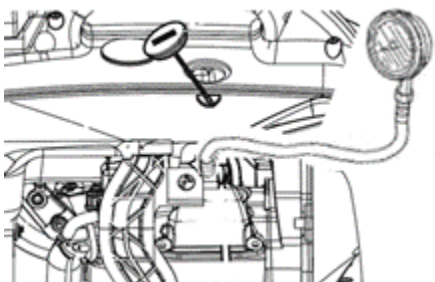
Inspeccione los rodamientos del cigüeñal. Si el rodamiento está marcado o muestra signos de decoloración por calor excesivo, reemplácelo. Cubra el rodamiento con aceite de motor antes de instalarlo.



Revise el diámetro del muñón del cigüeñal (1). Un diámetro normal es 21.97-21.98 mm. Si el diámetro es de 21.87 mm o menos, reemplace el cigüeñal.

Cuando instale el cigüeñal, insértelo en el cárter hasta que el rodamiento toque el cárter sin dañar el sellado de aceite.

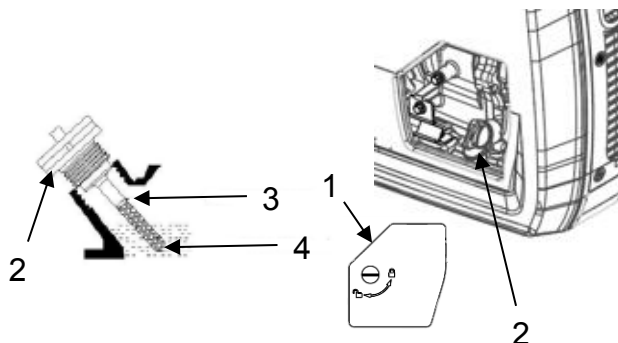
Revisión de la presión del cilindro



- Retire el panel lateral (al costado con las tapas de acceso para mantenimiento) quitando los 2 tornillos y levantándolo hacia afuera (tenga cuidado para no romper las lengüetas de sujeción).
- Retire el cargador de la bujía y la bujía.
- Conecte el medidor de compresión como se muestra a continuación.
- Jale la manija del arrancador retráctil varias veces y anote la presión del cilindro.
- Si la presión del cilindro no es superior o igual a 0.95 MPa (138 psi), consulte el apartado Solución de problemas.

Comprobación del nivel de aceite de motor

Compruebe el aceite de motor siempre con el generador sobre una superficie plana y el motor parado.



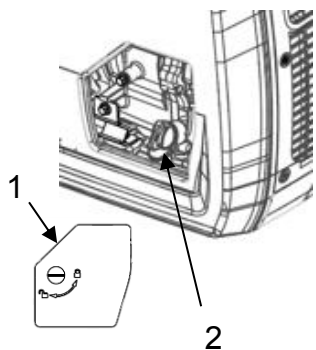
1. Abra la tapa de mantenimiento derecha (1). Retire el indicador de nivel de aceite (2) y límpielo.
2. Compruebe el nivel de aceite reinsertando el indicador de nivel de aceite (no atornille muy ajustado).
3. Si el nivel del aceite es bajo (4) añada el aceite de motor recomendado utilizando el embudo suministrado hasta que el nivel de aceite alcance la marca superior (3) del indicador. Utilice la siguiente tabla para determinar la viscosidad del aceite.

Viscosidad recomendada del lubricante a temperatura ambiente				
Viscosidad del aceite	°C		°F	
	Mín.	Máx.	Mín.	Máx.
SAE 0W-40	-40	40	-40	104
SAE 5W-40	-30	50	-22	122
SAE 10W-30	-18	40	0	104
SAE 15W-40	-10	50	14	122

4. Luego de agregar el aceite, coloque y ajuste el indicador de nivel de aceite (2) y cierre la tapa de mantenimiento (1).

Nota: Los aceites de motor sin detergentes y para motores de 2 tiempos no deben utilizarse, ya que causan daños en el motor.

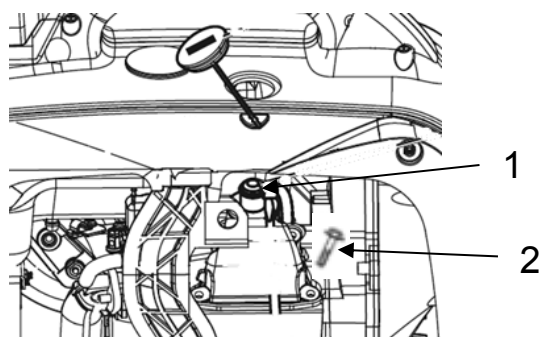
Sustitución del aceite de motor



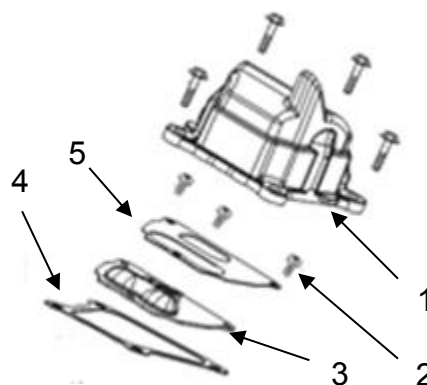
1. Ponga el motor en funcionamiento hasta que alcance su temperatura normal de servicio. Detenga el motor y recoja el aceite usado con un recipiente adecuado.
2. Cierre la válvula de liberación de vacío que se encuentra en la parte superior del tapón de combustible y gírela hacia la izquierda a la posición de apagado "O".
3. Abra la tapa de mantenimiento derecha (1). Retire el indicador de nivel de aceite (2), límpielo con un paño y conserve aparte.
4. Coloque el embudo de aceite suministrado e incline el generador para que el aceite usado pase del motor al contenedor. Luego recline el generador por completo hasta que el cárter se haya vaciado. Limpie el embudo.
5. Añada aceite nuevo, utilizando el embudo, y compruebe el nivel de aceite. Consulte el apartado "Comprobación del nivel de aceite de motor".
6. Coloque el indicador de nivel de aceite y ajústelo. Cierre la tapa de mantenimiento (1).
7. Deseche adecuadamente el aceite utilizado.
8. Encienda el motor por un breve período de tiempo y compruebe que no haya fugas.
9. Apague el motor y compruebe el nivel de aceite. Consulte el apartado "Comprobación del nivel de aceite de motor".

Inspección y reemplazo de la válvula del motor

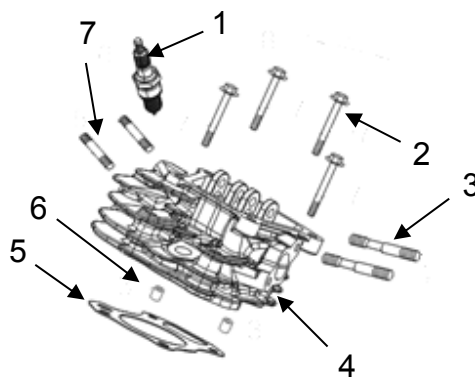
Retire el panel lateral (al costado con las tapas de acceso para mantenimiento) quitando los 2 tornillos y levantándolo hacia afuera (tenga cuidado para no romper las lengüetas de sujeción).



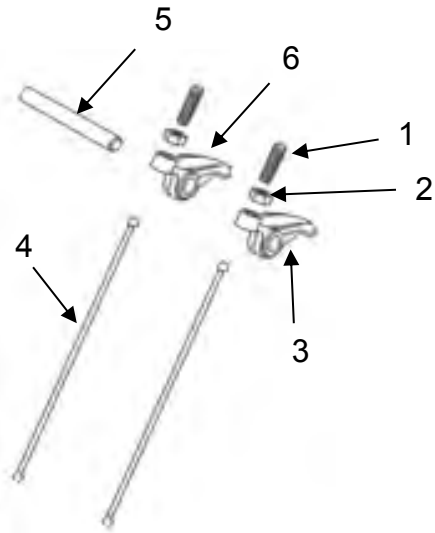
Retire el cargador de bujía (1) y los tornillos de la cubierta de la válvula (2).



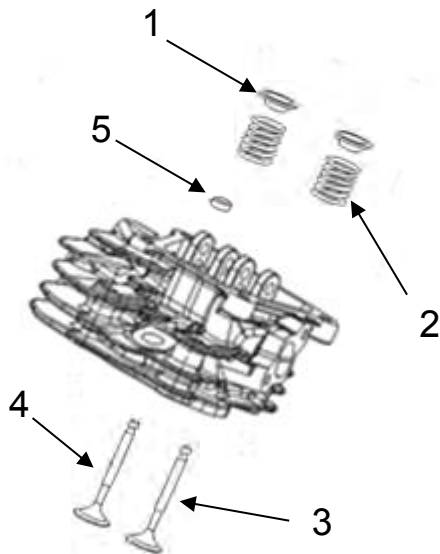
Retire la cubierta de la válvula (1). Retire los tornillos (2), el respiradero (5) y la junta del respiradero (3). Retire la junta de la cubierta de la válvula (4).



Retire la bujía (1). Retire los tornillos de la cabeza del cilindro (2) y retire la cabeza del cilindro (4). Retire la junta de la cabeza del cilindro (5) y deseche la junta usada. Retire los pernos de sujeción (6) y sepárelos a un lado. Los pasadores (3) y (7) pueden dejarse en la cabeza del cilindro para este procedimiento.



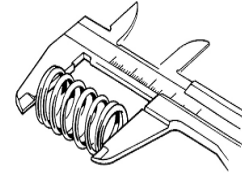
Retire contratuerca (2) y la tuerca de ajuste (1). Retire el vástago (5), y retire el balancín de la válvula de escape (6). Repita el proceso para el balancín de la válvula de entrada (3). Revise los balancines en busca de desgaste. Reemplácelos si presenta daño. Retire las varillas de empuje (4). Inspeccione las varillas de empuje. Asegúrese de que estén derechas y no estén marcadas. Revise los extremos de las varillas de empuje en busca de desgaste. Reemplace las varillas de empuje si presentan daño o desgaste.



Nota: No retire el retenedor (1) mientras la cabeza sigue en el motor o las válvulas caerán al cilindro.

Presione el retenedor (1) y muévelo a un lado para que el vástago de la válvula pase a través del orificio más grande. Retire el resorte de la válvula (2) y la válvula de escape (4). Repita el proceso para la válvula de entrada (3) y el retenedor.

Resortes de la válvula:



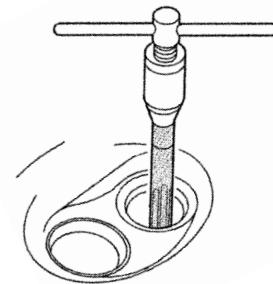
Revise la longitud libre del resorte de la válvula. La longitud libre normal es de 28.5 mm. Si la longitud libre es de 25.5 mm o menos, reemplace el resorte.

Modelo:	Normal:	Mínimo:
INV2000	28.5 mm	25.5 mm

Guías de la válvula:

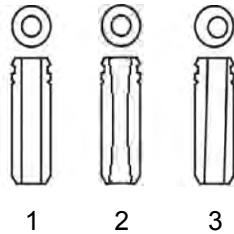
Inspeccione las guías de la válvula. Asegúrese de que estén bien fijadas a la cabeza del cilindro. Inspeccione las superficies interiores de las guías de la válvula. La superficie interior debe ser uniforme, sin agrietamiento o picaduras. Si la superficie interior presenta daño, reemplace la guía de la válvula.

Escariado de las guías de la válvula:



Para mejores resultados, realice este procedimiento cuando las guías de la válvula y la cabeza del cilindro estén a temperatura ambiente.

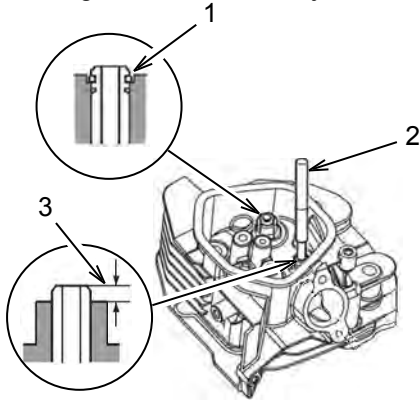
Asegúrese de que el escariador esté centrado sobre la guía de la válvula. Cubra el escariador y la guía de la válvula con aceite para corte. Gire el escariador en el sentido de las manecillas del reloj y haga que atraviese la guía de la válvula por la longitud completa del escariador. Continúe girándolo en el sentido de las manecillas del reloj mientras extrae el escariador de la guía de la válvula. Limpie cualquier acumulación de carbono y revise el diámetro interno de la guía de la válvula. El diámetro normal de la guía de la válvula es de 8.6 mm. Si el diámetro interno de la guía de la válvula es de 9.021 mm o más, reemplace la guía de la válvula o ponga insertos.



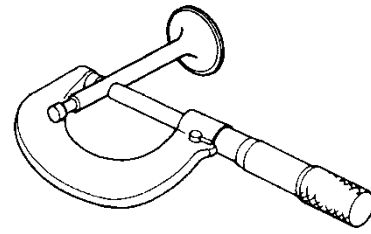
Revise el orificio de la guía de la válvula. Inserte la válvula y asegúrese de que se mueva sin problemas a través del orificio sin tambalearse. La Figura 1 muestra una buena guía de válvula. La Figura 2 muestra una guía de válvula con desgaste anormal que puede hacer que la válvula se tambalee. La cabeza de la válvula eventualmente puede romperse y caer a la cámara de combustión, dañando el motor. La guía de válvula debe ser escariada o reemplazada. La Figura 3 muestra una guía de válvula con un orificio que no está centrado. Esta guía de válvula debe ser reemplazada.

Reemplazo de las guías de válvula:

Coloque las guías de válvula nuevas en el congelador de su refrigerador por una hora. Use un montador de guía de válvula para expulsar las guías de válvula viejas. Tenga cuidado de no dañar la cabeza del cilindro al expulsar las guías de válvula viejas.



Coloque las guías de válvula nuevas del lado de la cabeza del cilindro donde está el resorte de la válvula. Use el montador de guía de válvula (2) para mover la guía de la válvula de escape hasta que el clip quede completamente asentado (1). Mueva la guía de la válvula de entrada hasta que la parte superior de la guía se extienda 1 mm por encima de la cabeza del cilindro (3). Después de la instalación revise cada guía de válvula en busca de daños. Si presentan daños, repita el proceso de eliminación e instalación usando una guía de válvula nueva.



Use un micrómetro para medir el diámetro externo del vástago de la válvula. Consulte la siguiente tabla.

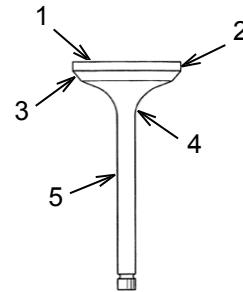
Modelo:	Válvula:	Normal:	Mínimo:
INV2000	Entrada:	3.96 mm	3.87 mm
	Escape:	3.93 mm	3.835 mm

Si el diámetro de la válvula está en el mínimo o por debajo, reemplace la válvula.

Reste el diámetro del vástago de la válvula del tamaño del orificio interno de la guía de la válvula para determinar la distancia desde el vástago hasta la guía. Si la distancia es mayor que la máxima mostrada en la siguiente tabla, determine si una guía nueva o una válvula nueva es la mejor opción para que la holgura sea tolerable.

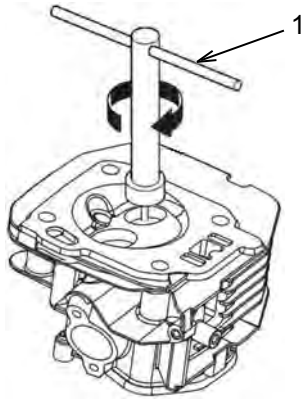
Válvula:	Normal:	Máximo:
Entrada:	0.015 - 0.042 mm	0.30 mm
Escape:	0.050 - 0.077 mm	0.30 mm

Válvulas:

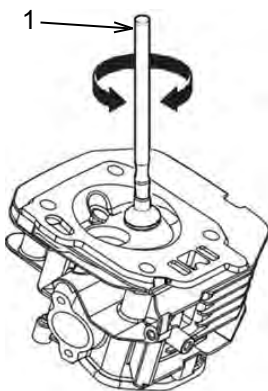


Revise las válvulas en busca de daño. Revise la cabeza de la válvula (1), la orilla de la válvula (2) y la cara de la válvula (3) en busca de áreas dañadas o quemadas. Revise el cuello de la válvula (4) en busca de desgaste inusual. Revise el vástago de la válvula (5) en busca de desgaste, marcas o dobleces. Si encuentra algún daño, reemplace la válvula. Retire cualquier acumulación de carbono de los asientos de la válvula. Use un medidor de descentramiento para medir la concentricidad del asiento. Alternativamente, aplique una ligera capa de un compuesto que deje marcas a la

cara de la válvula e inserte la válvula en la cabeza. Presione la válvula con firmeza y después retire la válvula. Revise la pintura en busca de signos de que el asiento de la válvula no es concéntrico. Elimine de ambas superficies el compuesto empleado para dejar marcas.

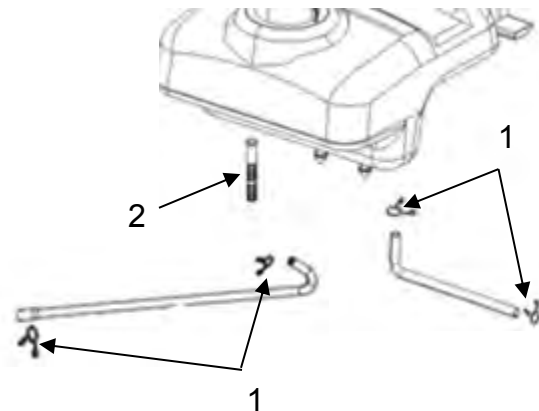


Si el compuesto empleado para dejar marcas muestra que el asiento de la válvula no es concéntrico, use un cortador de asiento de válvula de 45° (1) para crear un asiento liso y concéntrico. Siempre gire el cortador en el sentido de las manecillas del reloj. Use el cortador de asiento de válvula de 45° y el cortador de asiento de válvula de 32° para ajustar el asiento de la válvula de modo que entre en contacto con el centro de la cara de la válvula. El cortador de asiento de válvula de 32° remueve material de la parte superior del asiento. El cortador de asiento de válvula de 45° remueve material de la parte inferior del asiento. Asegúrese de que, cuando termine, el área donde la válvula entra en contacto con el asiento de la válvula sea de 3.3 a 3.7 mm de ancho. Para completar el procedimiento, pase ligeramente el cortador de asiento de válvula de 45° para retirar cualquier rebaba que pueda quedar en el borde del asiento. Cuando termine, use el compuesto que deja marcas para revisar la concentricidad. Asegúrese de que haya buen contacto por toda la válvula.



Aplique un compuesto de lapeado a la cara de la válvula e inserte la válvula en la cabeza del cilindro. Use una herramienta de lapeado de válvula (1) para terminar de pulir las superficies de la válvula y el asiento de la válvula. Retire cualquier compuesto restante antes de montar la cabeza del cilindro. Asegúrese de que las varillas de empuje están asentadas firmemente en los levantadores. Después de montar, siga los procedimientos de los apartados “Ajuste del juego de válvula del motor” y “Revisión del cilindro de presión” para asegurarse de que el montaje sea correcto.

Reemplazo de la línea de combustible y el filtro



Drene el combustible del depósito de combustible en un contenedor apropiado. Encienda el motor y deje que se agote el combustible. Coloque el interruptor del generador en la posición de apagado “O”.

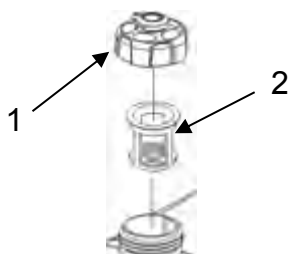
Retire el panel lateral (al costado con las tapas de acceso para mantenimiento) quitando los 2 tornillos y levantándolo hacia afuera (tenga cuidado para no romper las lengüetas de sujeción). No se necesita retirar el depósito de combustible para reemplazar la línea de combustible. Mueva las pinzas (1) al centro de la línea de combustible.

Retire la línea de combustible del filtro de combustible (2). Retire el filtro de combustible. Limpie la superficie de montaje con un trapo limpio e instale un filtro de combustible nuevo. Ajuste el filtro del combustible.

Retire la línea de combustible de la parte trasera del interruptor del generador y el carburador.

Examine las pinzas. Si las pinzas están dañadas deseche las pinzas viejas y use pinzas nuevas. Coloque dos pinzas cerca del centro de cada línea de combustible nueva e instale las líneas de combustible. Posicione las pinzas de modo que sostengan con seguridad la línea de combustible en su lugar.

Limpeza del filtro y el tapón del depósito de combustible



Limpie el tapón del depósito de combustible (1) y la zona alrededor del mismo antes de quitarlo. Al limpiar el tapón y la zona alrededor del mismo antes de quitarlo, se reduce la cantidad de contaminantes que entran al sistema de combustible.

Examine el tapón del depósito de combustible. Asegúrese de que la válvula de liberación de vacío se mueva con facilidad. Si la válvula de liberación de vacío no se mueve con facilidad, reemplace el tapón de combustible.

Si se han acumulado residuos en el filtro de combustible (2), quite el filtro y enjuáguelo. Deje que el filtro se seque antes de volver a colocarlo. Si el filtro está dañado, reemplácelo.

Inspección del generador

Arranque el motor una vez al mes y espere a que alcance la temperatura normal de servicio (unos 10 minutos). Enchufe un equipo con cable y encienda el equipo para asegurarse de que el generador suministra energía. Cuando haya verificado que el generador suministra energía, apague el equipo y desenchúfelo. A continuación apague el generador.

Kits para altitudes elevadas

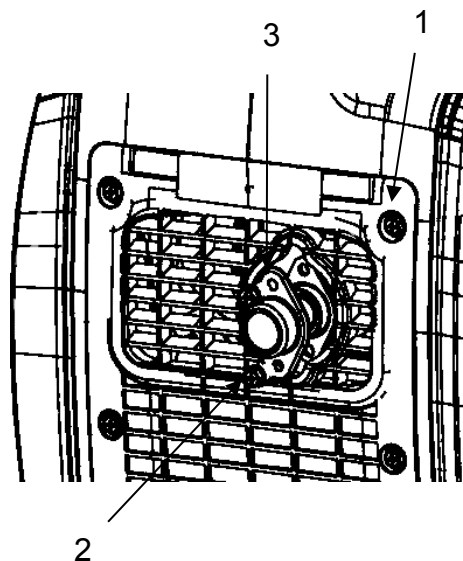
A altitudes elevadas, la mezcla estándar de aire y combustible es demasiado rica y provoca un mayor consumo de combustible y un menor rendimiento. Una mezcla rica también ensuciará la bujía y dificultará el arranque. La utilización del generador a altitudes elevadas durante periodos de tiempo largos puede aumentar las emisiones.

Puede asegurar un funcionamiento adecuado si instala un kit para altitudes elevadas cuando se requiera. Un kit para altitudes elevadas consiste en un inyector principal de combustible con diámetro más pequeño, así como un ajuste del tornillo del piloto. Consulte el apartado "Inspección y ajuste del carburador" para obtener instrucciones sobre cómo reemplazar el inyector principal de combustible.

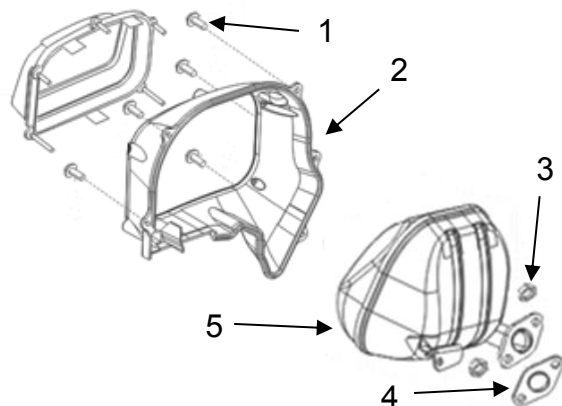
Nota: En altitudes superiores a 8000 pies por encima del nivel del mar, el rendimiento del motor puede verse reducido aunque esté instalado el kit para altitudes elevadas.

Inspección y reemplazo del silenciador

Permita que la unidad se enfríe antes de efectuar este procedimiento.



Retire el panel lateral (al costado con las tapas de acceso para mantenimiento) quitando los 2 tornillos y levantándolo hacia afuera (tenga cuidado para no romper las lengüetas de sujeción). Retire los 6 tornillos (1) de la cubierta del silenciador y levante la cubierta para retirarla.



Retire los 4 tornillos (1) para quitar el recubrimiento del silenciador (2) y la cubierta y levántelos. Retire las tuercas (3) del escape. Levante el silenciador (5) y deseche la junta gastada (4). Verifique que no haya grietas y limpie la suciedad con un cepillo de alambre. Vuelva a instalarlo en orden inverso usando una junta nueva (4). Para dar servicio al apagachispas, consulte el apartado "Inspección/limpieza/sustitución del apagachispas".

Revisión de la chispa

PELIGRO

Peligro de descarga eléctrica o electrocución: No utilice ni realice trabajos en este equipo sin antes haber leído y comprendido las instrucciones y advertencias de este manual de usuario. De lo contrario, podría sufrir lesiones incluso mortales.

Asegúrese de que sus manos estén secas y de que no está eléctricamente conectado a tierra.

Para reducir el riesgo de una llamarada, asegúrese que no hay combustible en la cercanía. Gire el interruptor del generador a la posición "O", y drene el combustible fuera del carburador.

- Retire el cargador de la bujía y la bujía.
- Jale la manija del arrancador retráctil unas cuantas veces (2-3) para drenar el combustible del cilindro.
- Coloque el cargador de la bujía sobre la bujía.
- Coloque el interruptor del generador en la posición de encendido "I".
- Sostenga la bujía por el cargador y coloque delicadamente la rosca de la bujía contra la cabeza del cilindro.
- Jale la manija del arrancador retráctil y compruebe que salte una chispa.
- Si la chispa es débil o si no hay chispa, consulte el apartado "Inspección/ajuste/sustitución de la bujía".

Inspección/limpieza/sustitución del apagachispas

El generador cuenta con un apagachispas situado en la salida de escape del silenciador. El apagachispas se limpia con un cepillo de alambre suave cada 50 horas de servicio o 3 meses de uso. El apagachispas debe sustituirse cada 100 horas de servicio o antes si se encuentra dañado.

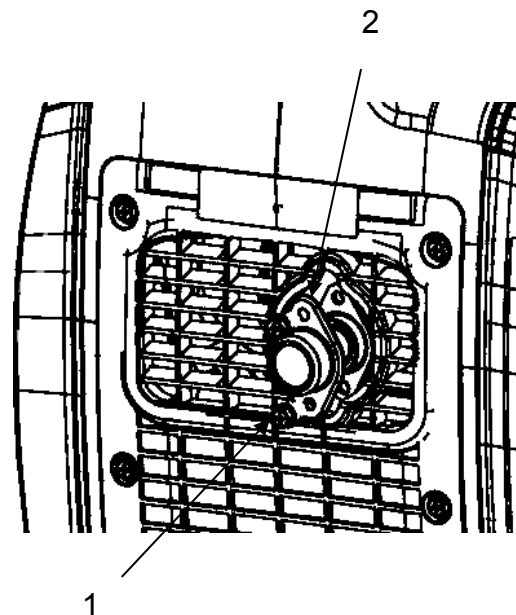


Superficies calientes

ADVERTENCIA

Las piezas o componentes calientes podrían causar quemaduras o lesiones. Las piezas o componentes calientes no deben entrar en contacto con su piel. Utilice ropa o equipos de protección para proteger su piel.

NO realice esta tarea de mantenimiento hasta que el silenciador se haya enfriado.

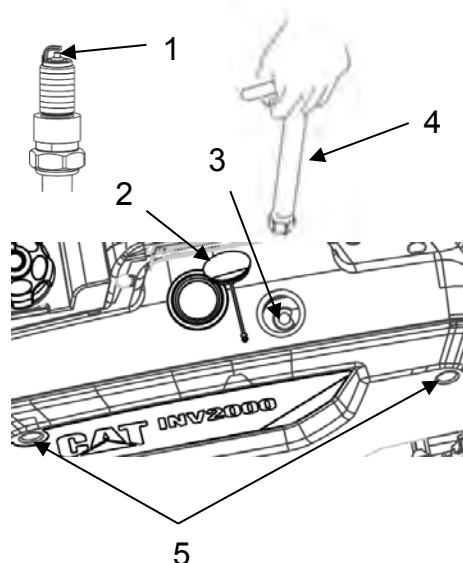


Quite los tornillos (1). Quite el apaga chispas (2) y compruébelo. Limpie con cuidado el apaga chispas utilizando un cepillo de alambre suave. Reemplace el apaga chispas si está dañado.

Para colocar el apaga chispas, alinee los orificios de montaje del apaga chispas con los orificios del silenciador. Inserte los tornillos (1) y apriete con firmeza.

Inspección/ajuste/sustitución de la bujía

Consulte el apartado "Especificaciones" de este manual para determinar el número de referencia correcto de la bujía y la distancia entre electrodos correspondiente a su generador.



1. EVITE realizar el procedimiento de mantenimiento mientras el motor está en funcionamiento.
2. Coloque el interruptor del generador en la posición de apagado "O".
3. Quite los tornillos (5) del panel lateral externo levantando y tirando para afuera, para acceder al motor.
4. Quite la tapa de la bujía levantándola de la parte superior de la bujía y remueva el tapón de acceso (2) girando y tirando.
5. Utilice una llave (4) o un dado de bujía para retirar la bujía (3).
6. Compruebe visualmente si la bujía está dañada. Si el aislante tiene fisuras, sustituya la bujía. Si el electrodo está dañado, sustituya la bujía.
7. Mida el calibre de la bujía (1) con una lámina calibradora. Ajuste el calibre según sea necesario doblando con cuidado el electrodo lateral. Consulte el calibre correcto de su equipo en el apartado "Especificaciones".
8. Compruebe que la arandela de la bujía está en buen estado. Si la arandela está dañada, sustitúyala.
9. Coloque la bujía y ajuste a 9 ± 2 libras por pies (12.5 ± 2 Nm). NO ajuste demasiado ya que esto dañaría el motor.
10. Vuelva a colocar la tapa de la bujía, la cubierta de la misma (2) y el panel lateral externo.

Inspección visual

Inspeccione visualmente el equipo antes de arrancar el motor. Compruebe:

- Nivel de aceite adecuado
- Nivel de combustible adecuado
- Buena calidad de combustible
- Fugas de fluidos
- Abrazaderas sueltas
- Pernos sueltos
- Grietas en el tubo de combustible
- Cables sueltos o deshilachados
- Residuos acumulados

Asegúrese también de que:

- El borne de puesta a tierra está conectado adecuadamente.

Comprobación de los devanados

Retire el panel lateral (al costado con las tapas de acceso para mantenimiento) quitando los 2 tornillos y levantándolo hacia afuera (tenga cuidado para no romper las lengüetas de sujeción).

Retire la cubierta del filtro de aire y la carcasa para permitir un mejor acceso al controlador del inversor localizado debajo del silenciador en el lado izquierdo de la unidad.

Use un ohmímetro o multímetro para medir la resistencia de los bobinados. Coloque el medidor alternando las terminales de salida y tome las mediciones de todas las combinaciones. La resistencia debería ser $0.95\Omega \pm 10\%$ a 25°C en el bobinado principal (las terminales marrones COM2-A). Si la resistencia está fuera del margen de tolerancia, reemplace el inversor. Mida la resistencia de cada cable a la conexión a tierra. La resistencia debe ser infinita. Si la resistencia no es infinita, reemplace el inversor. La resistencia debería ser $0.43\Omega \pm 10\%$ at 25°C en el bobinado de control (las terminales naranja COM3-A). La resistencia debería ser $0.12\Omega \pm 10\%$ at 25°C en el bobinado de DC (las terminales azules COM1-A).

ALMACENAMIENTO

Cuando un generador se encuentra en almacenamiento, puede condensarse humedad en los devanados. Para minimizar la condensación, guarde siempre el generador en un lugar seco. Tape el generador con una cubierta protectora que llegue al suelo. Esta cubierta debe quedar floja alrededor del generador para permitir una ventilación adecuada.

Almacenamiento entre 1 y 3 meses

Elimine cualquier suciedad, óxido, grasa o aceite del generador. NO utilice una hidrolimpiadora para limpiar el generador. Compruebe el exterior. Realice las reparaciones necesarias.

Añada estabilizador de combustible al tanque de combustible para evitar el deterioro de la gasolina. Arranque el motor y déjelo funcionar durante 5 minutos para asegurarse de que el estabilizador de combustible ha llegado al carburador. Apague el motor y espere a que se enfríe.

Coloque el interruptor del generador en la posición de apagado "O".

Coloque el generador en el lugar donde va a ser almacenado.

Tape el generador.

Almacenamiento por más de 3 meses

Elimine cualquier suciedad, óxido, grasa o aceite del generador. NO utilice una hidrolimpiadora para limpiar el generador. Compruebe el exterior. Realice las reparaciones necesarias.

ADVERTENCIA

La gasolina es extremadamente inflamable y explosiva en determinadas circunstancias. Vacíe el combustible en una zona bien ventilada con el motor parado y frío. Nunca fume durante este proceso y evite las llamas abiertas o chispas en la zona.

Quite la tapa del combustible y con cuidado gire el generador para verter la gasolina en un contenedor adecuado. Coloque la tapa de combustible, arranque el motor y póngalo en funcionamiento hasta que se detenga para vaciar el combustible del circuito, del carburador y del sistema del motor.

Sustituya el aceite de motor. Consulte el apartado "Sustitución del aceite de motor".

Quite la bujía y aplique una pequeña cantidad de aceite en el cilindro. Coloque la bujía pero sin colocarle la tapa.

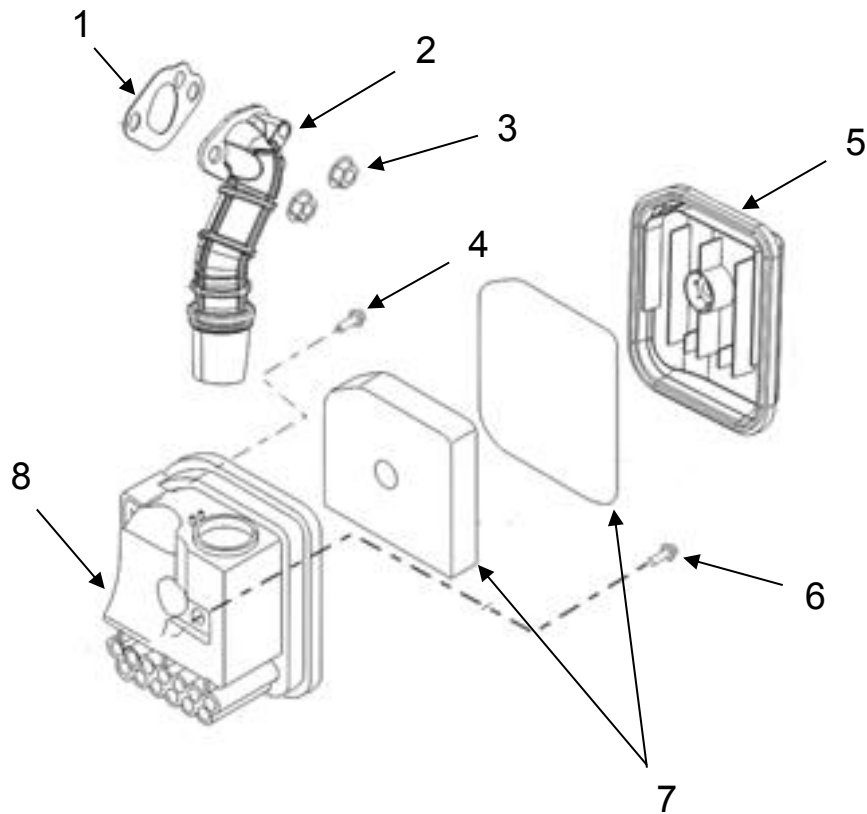
Coloque el interruptor del generador en la posición de apagado "O".

Coloque el generador en el lugar donde va a ser almacenado.

Tape el generador.

DIAGRAMAS

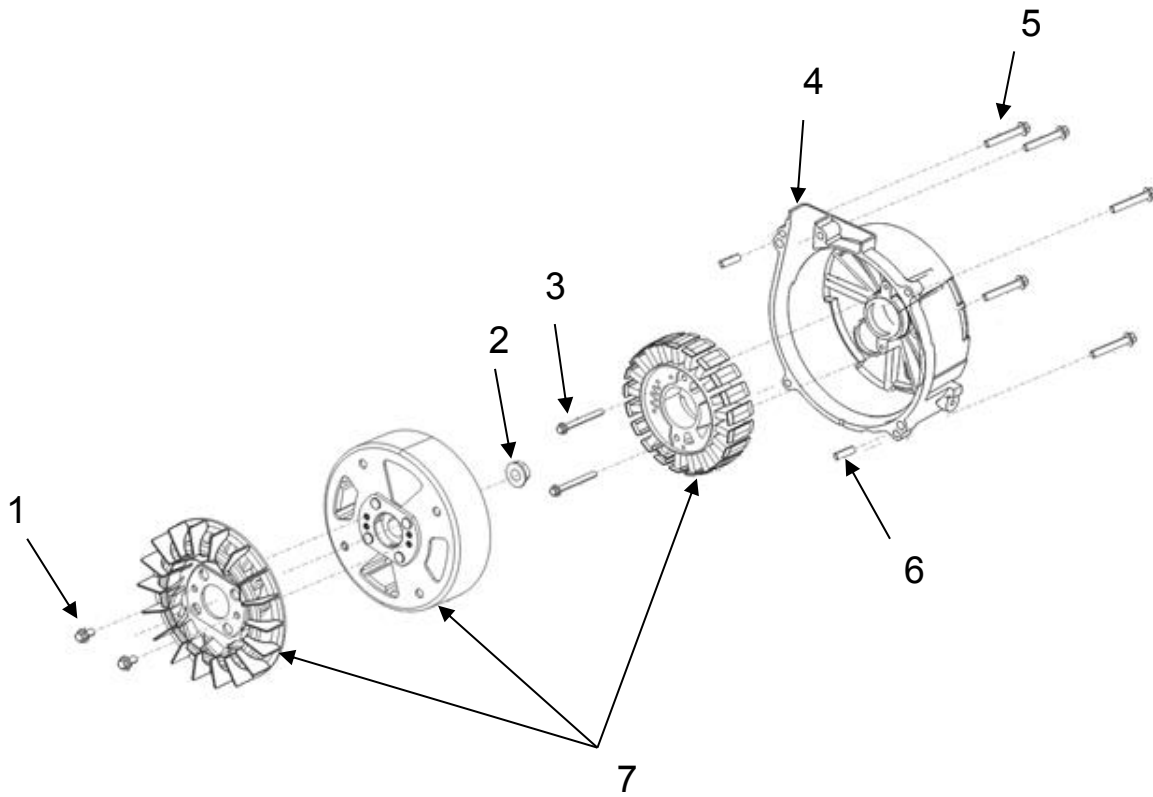
Carcasa del filtro de aire



1. Junta
2. Entrada del filtro de aire
3. Tuerca
4. Tornillo

5. Cubierta del filtro de aire
6. Tornillo
7. Elemento del filtro de aire
8. Cuerpo de la carcasa del filtro de aire

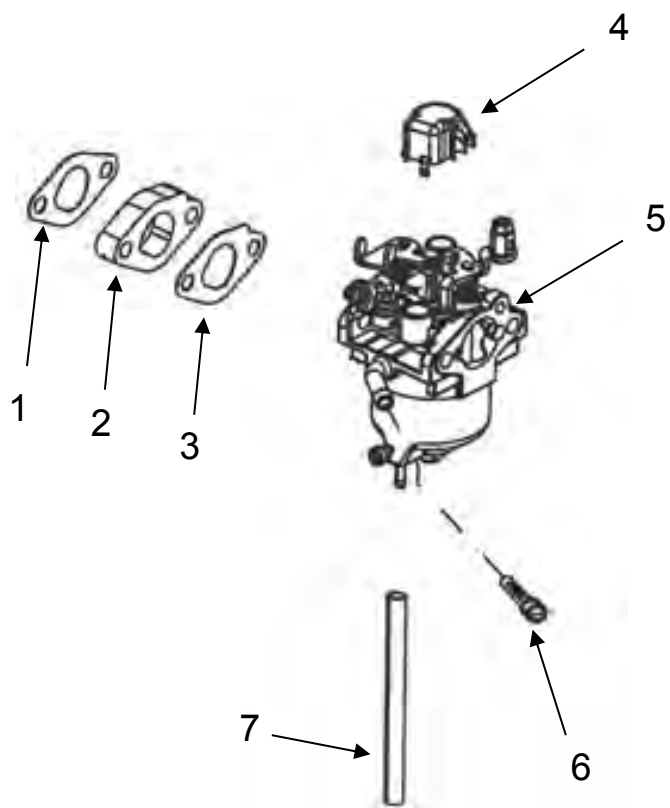
Alternador



- 1. Tornillo
- 2. Tuerca
- 3. Tornillo
- 4. Envoltura

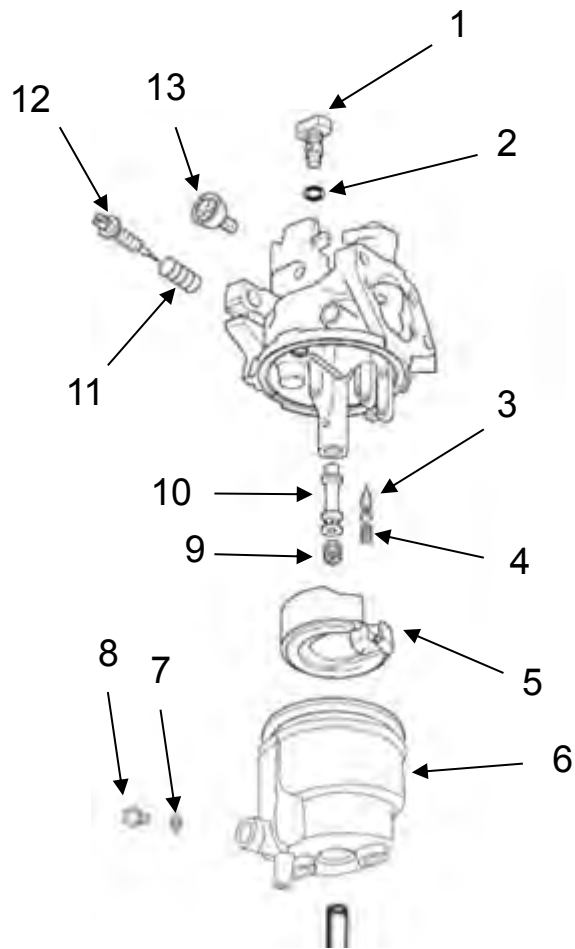
- 5. Tornillo
- 6. Perno
- 7. Alternador

Carburador



1. Junta del carburador
2. Placa del aislante
3. Junta del aislador
4. Tapón del carburador

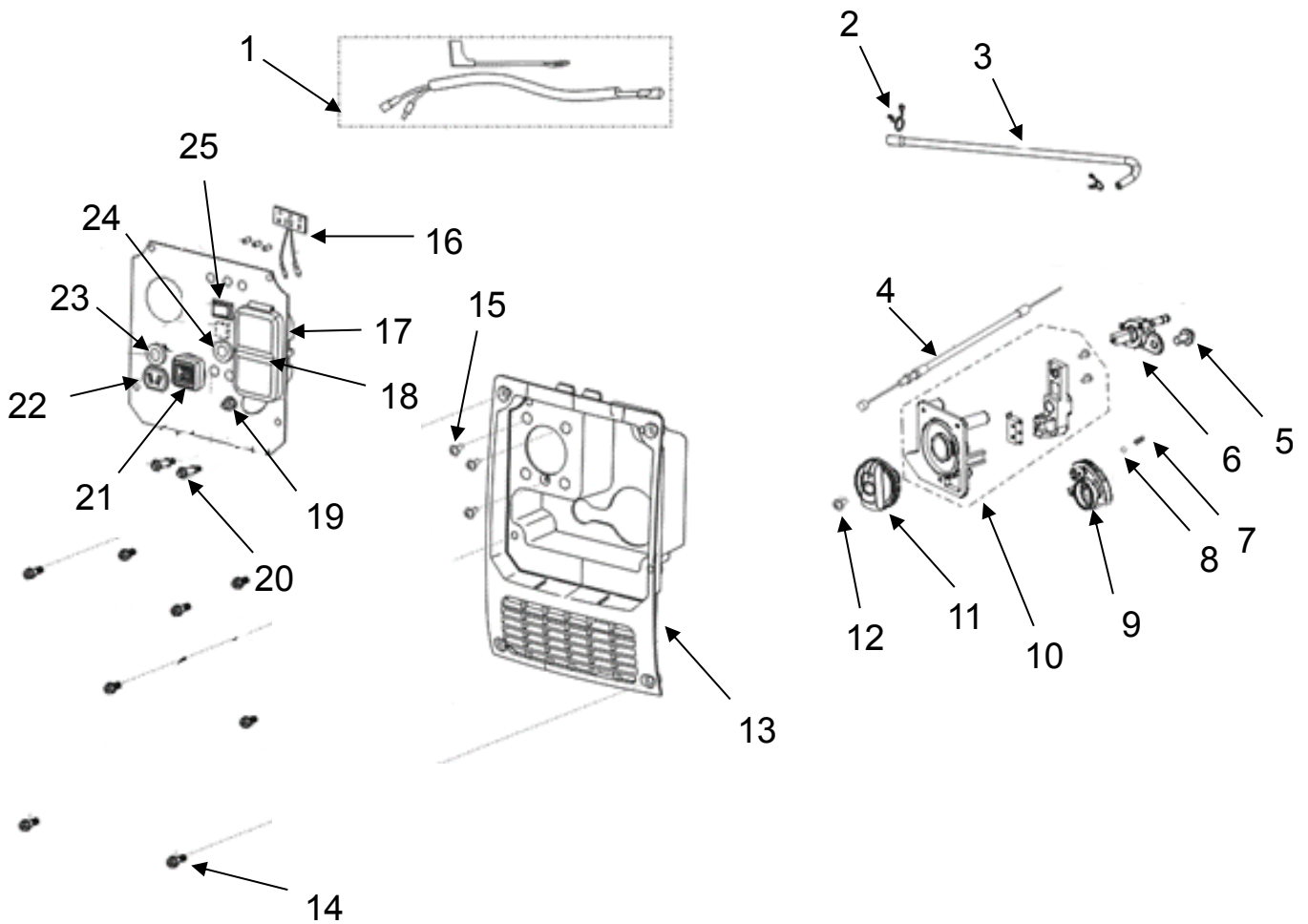
5. Carburador
6. Filtro de combustible
7. Línea de combustible



1. Inyector del piloto
2. Sello
3. Válvula del flotador
4. Resorte del flotador
5. Flotador
6. Cámara del flotador
7. Junta

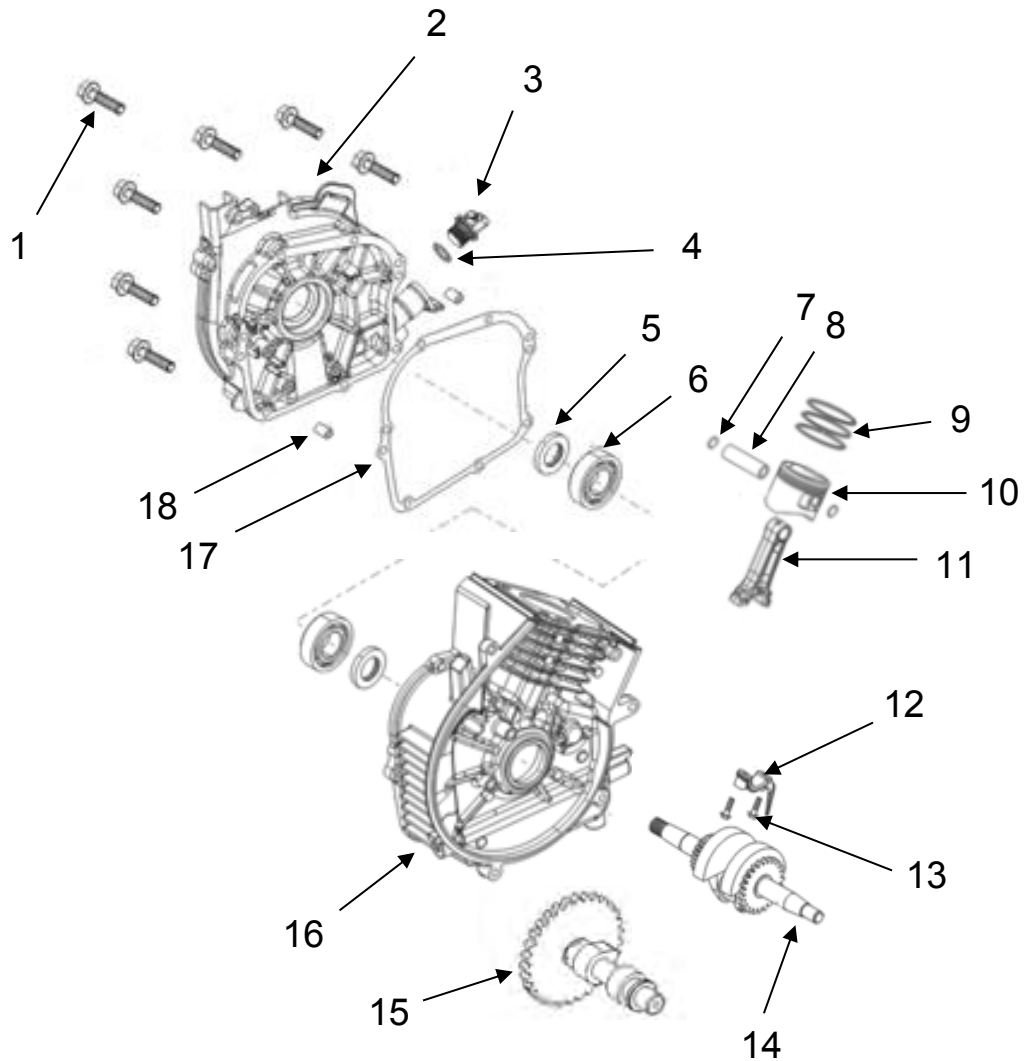
8. Tornillo de drenado
9. Inyector principal
10. Boquilla
11. Resorte
12. Tornillo del piloto
13. Tornillo del régimen de ralenti

Panel de control



- | | |
|---|---|
| 1. Arnés del panel de control | 14. Tornillo |
| 2. Pinza de manguera | 15. Tornillo |
| 3. Línea de combustible | 16. Montaje del indicador |
| 4. Varilla del ahogador | 17. Toma doble 120 V AC GFCI |
| 5. Tornillo | 18. Protector contra lluvia |
| 6. Asiento del interruptor del generador | 19. Terminal conexión a tierra |
| 7. Resorte | 20. Tomacorriente paralelo |
| 8. Bola de acero | 21. Entrada doble para USB |
| 9. Placa de cubierta | 22. Toma de -12 V CA, 8.3 A |
| 10. Interruptor del generador | 23. Cortacircuitos |
| 11. Perilla del interruptor del generador | 24. Cortacircuitos |
| 12. Tornillo | 25. Interruptor del control inteligente del motor |
| 13. Carcasa del panel de control | |

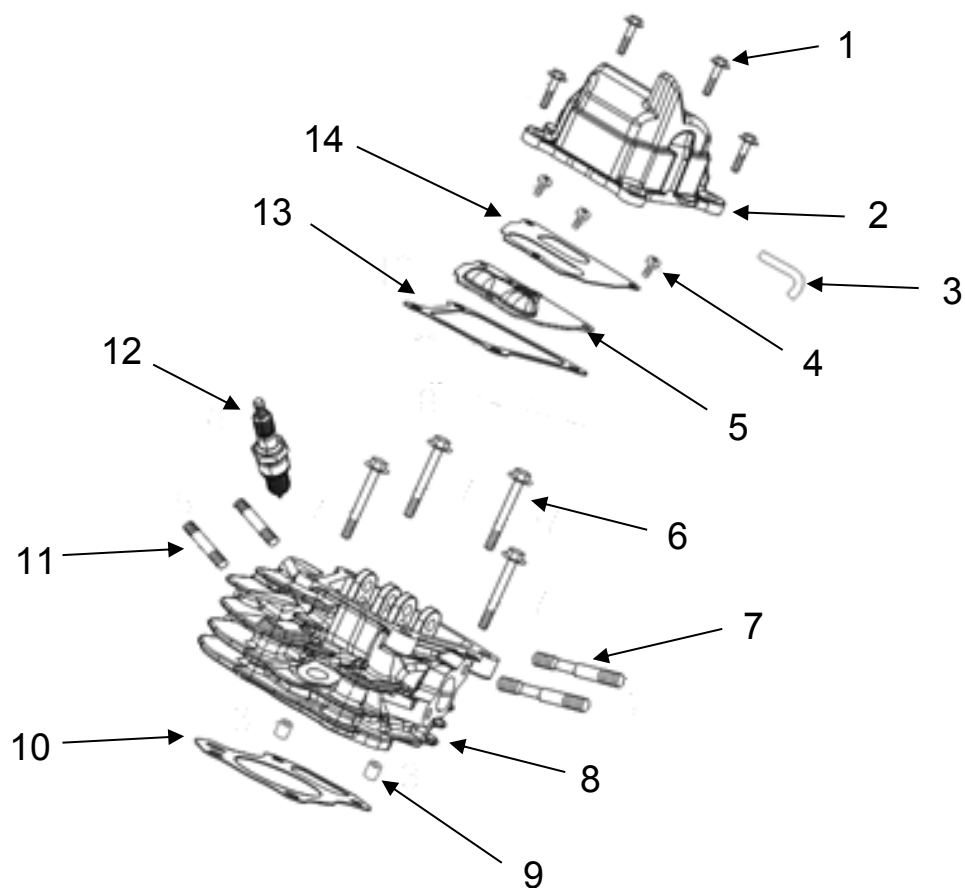
Cárter y pistón



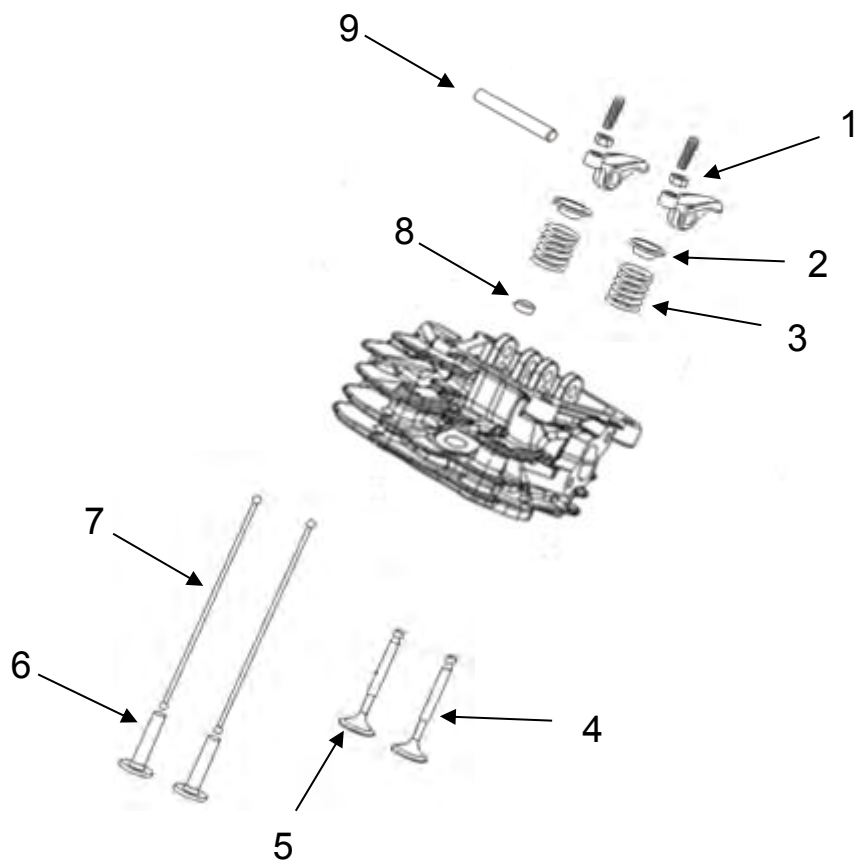
1. Tornillo
2. Cubierta del cárter
3. Tapón del llenado/drenaje de aceite
4. Arandela
5. Sello de aceite
6. Rodamiento
7. Clip
8. Perno
9. Anillo de pistón

10. Pistón
11. Biela
12. Tapa de la biela
13. Tornillo
14. Cigüeñal
15. Árbol de levas
16. Cárter
17. Junta del cárter
18. Perno

Cabeza del cilindro y válvulas



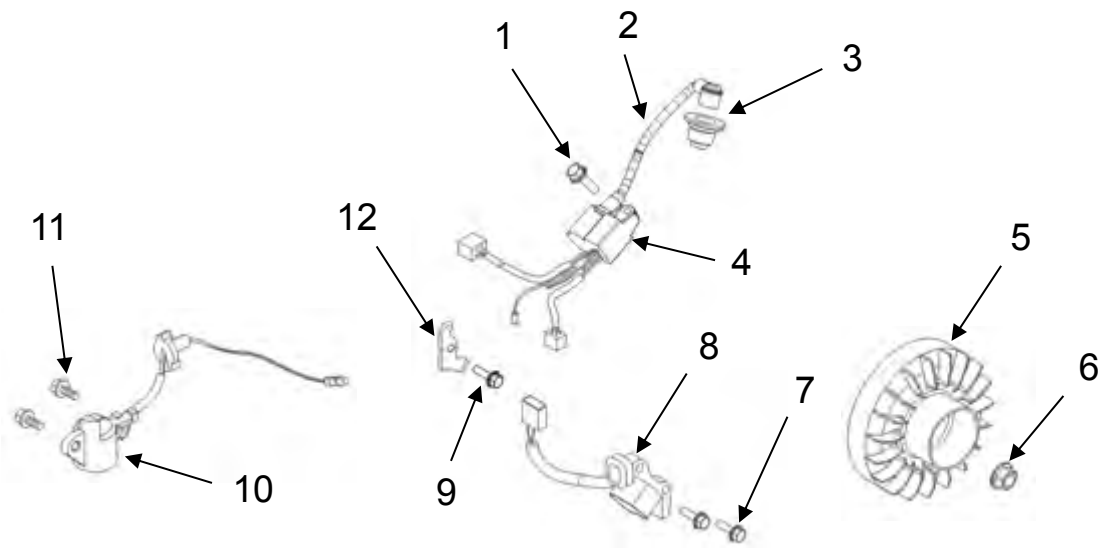
- | | |
|--|--|
| 1. Tornillo de la cubierta de la cabeza del cilindro | 8. Cabeza del cilindro |
| 2. Cubierta de la cabeza del cilindro | 9. Perno |
| 3. Tubo respirador | 10. Junta de la cabeza del cilindro |
| 4. Tornillo | 11. Pasador |
| 5. Junta del respiradero | 12. Bujía |
| 6. Tornillo de la cabeza del cilindro | 13. Junta de la cubierta de la cabeza del cilindro |
| 7. Pasador | 14. Respiradero |



- 1. Conjunto del balancín
- 2. Retenedor
- 3. Resorte
- 4. Válvula de entrada
- 5. Válvula de escape

- 6. Levantador
- 7. Varilla de empuje
- 8. Guía del sellador
- 9. Válvula del eje del balancín

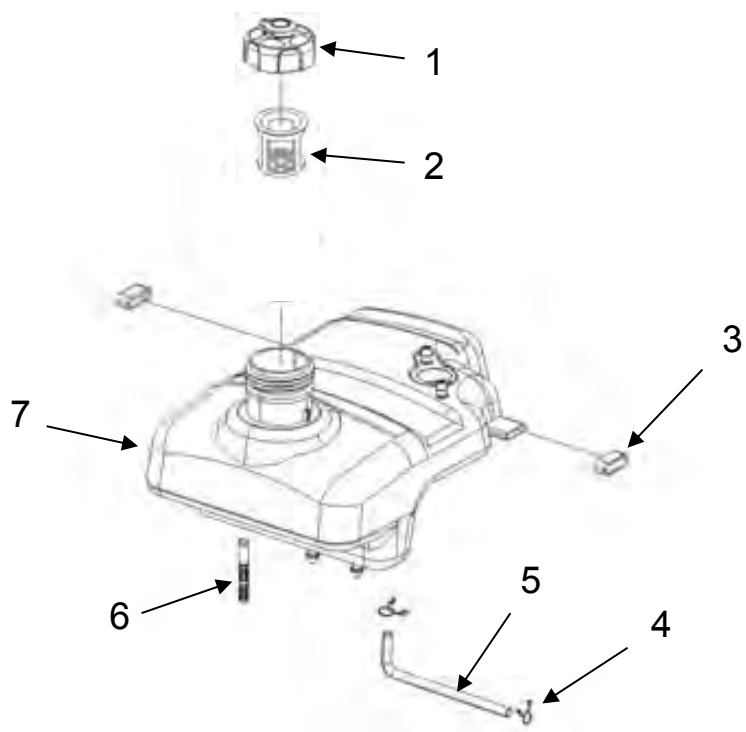
Volante de inercia



1. Tornillo
2. Cable de la bujía
3. Cargador de bujía
4. Bobina de arranque
5. Conjunto del volante de inercia
6. Tuerca del volante de inercia

7. Tornillo
8. Inducido de encendido
9. Tornillo
10. Sensor de aceite
11. Tornillo
12. Abrazadera

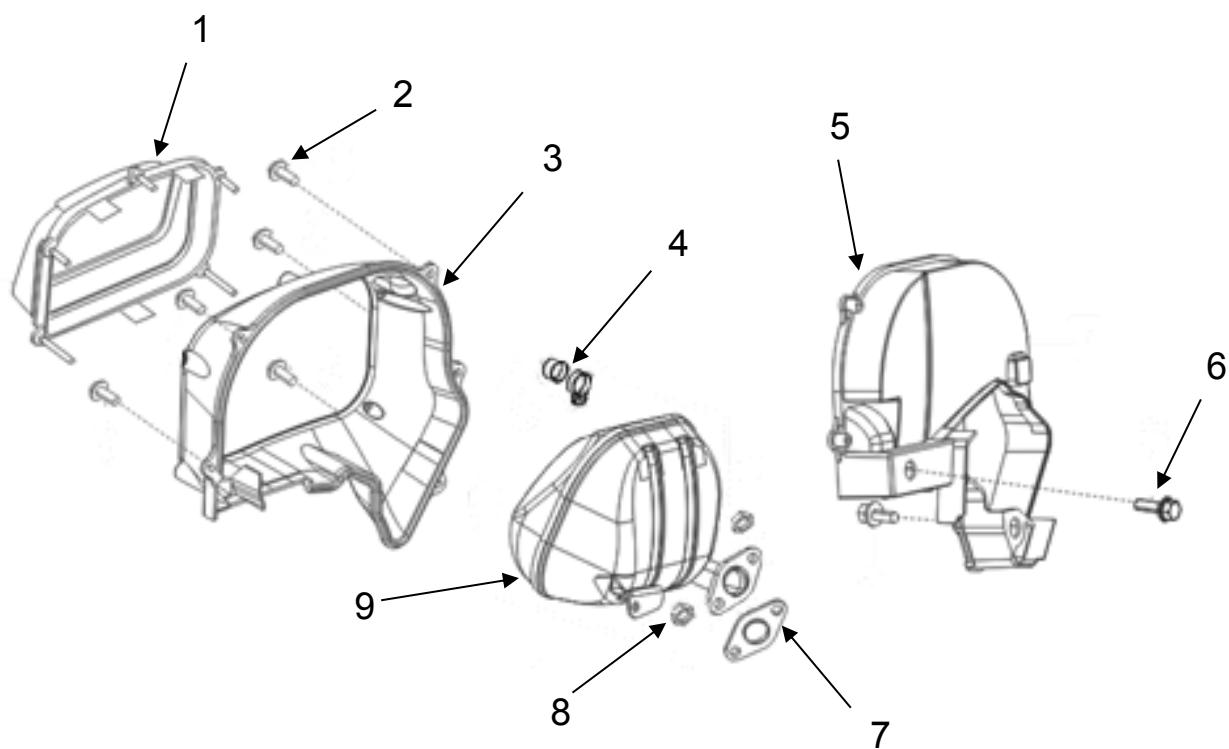
Depósito de combustible



1. Tapón del depósito de combustible
2. Filtro de combustible
3. Casquillo
4. Pinza de manguera

5. Línea de combustible
6. Filtro de combustible
7. Depósito de combustible

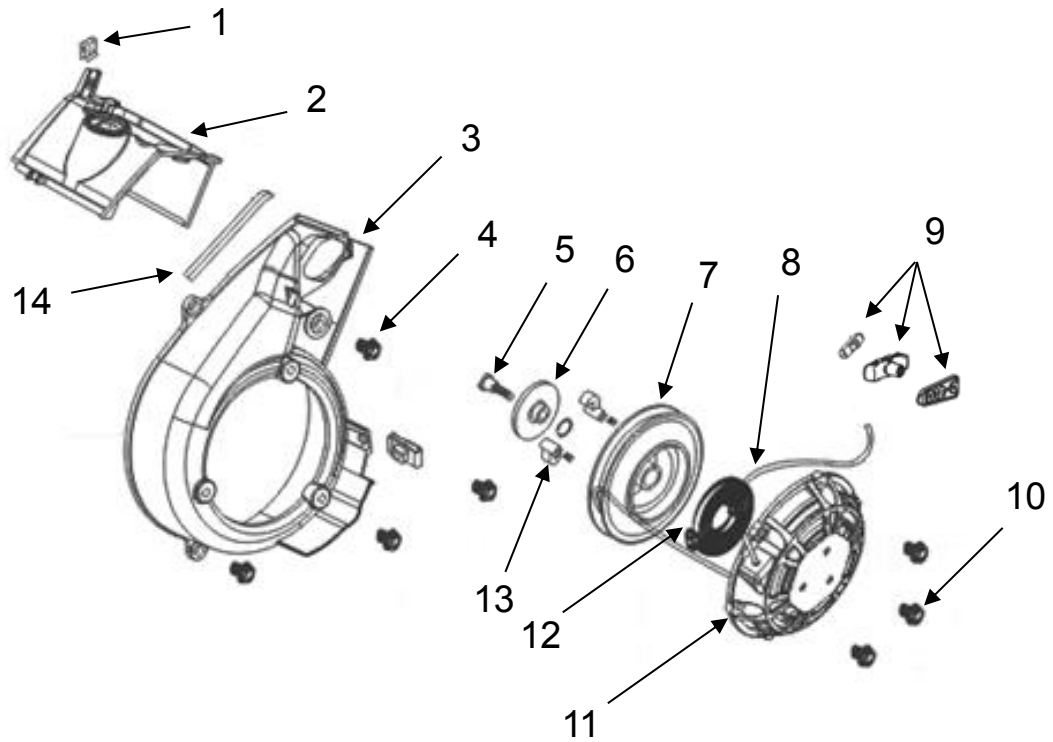
Silenciador



1. Cubierta lateral del silenciador
2. Tornillo
3. Recubrimiento del silenciador
4. Apagachispas
5. Protector del silenciador

6. Tornillo
7. Junta del escape
8. Tuerca
9. Conjunto del silenciador

Arrancador retráctil



1. Tarjeta de límite
2. Deflector de aire
3. Envoltura
4. Tornillo
5. Tornillo de bloqueo
6. Guía de impulsión
7. Polea del arrancador retráctil
8. Cordón de retroceso

9. Asa
10. Tornillo
11. Carcasa
12. Resorte del arrancador
13. Montaje del muelle de retroceso/cámara de conducción
14. Pletina de cierre del recubrimiento

RESOLUCIÓN DE PROBLEMAS

Problema:	Posible causa:	Solución:	Comprobación:
El motor no arranca	El interruptor del generador está en la posición de apagado "O"	Coloque el interruptor del generador en la posición correcta.	Arranque el motor
	Generador inclinado	Coloque el generador en una posición nivelada.	
	Aceite insuficiente en el motor	Compruebe el nivel de aceite. Si es bajo, añada aceite recomendado.	
	Filtro de aire sucio	Revise el filtro de aire. Limpie o reemplace según sea necesario.	
	Presencia de aceite en la cámara de combustible	Quite la bujía, gire el interruptor del generador a la posición de apagado "O" y tire del arrancador retráctil varias veces para remover el aceite de la cámara de combustible.	
	No hay combustible	Llene el depósito de combustible	
	Combustible viejo o contaminado	Drene y vuelva a llenar de ser necesario.	
	No hay combustible en el carburador	Asegúrese de que el interruptor del generador está en la posición de encendido "I".	
		Revise el liberador de vacío en tapón del depósito de combustible. Si está conectado, limpie el liberador de vacío.	
	No hay suficiente combustible para el motor	Asegúrese de que la válvula de aguja se cierra adecuadamente. Limpie o reemplace según sea necesario.	
		Inspeccione la boquilla del combustible. Límpiela de ser necesario.	
		Inspeccione el flotador. Si el flotador está dañado o pegado, repárelo o reemplácelo según sea necesario.	
	Motor ahogado	Espere 5 minutos.	
		Retire y limpie la bujía. Succione el combustible o deje que el combustible se evapore antes de volver a instalar la bujía.	
	No hay chispa	Inspeccione la bujía. Limpie la bujía, ajuste la distancia entre los electrodos o reemplace la bujía según sea necesario.	
Inspeccione el cable de la bujía. Reemplácelo si presenta daño. Revise la resistencia. Si la resistencia está fuera del margen de tolerancia, reemplace el cable.			
Revise el cableado para estar seguro de que ninguno de los cables hace cortocircuito a tierra.			
Presión del cilindro	Inspeccione los tornillos de la cabeza del cilindro para asegurarse de que están apretados al par de apriete adecuado de 40 ± 3 N·m. Apriete de ser necesario.		
	Revise la holgura y los asientos de la válvula. Ajuste o repare según sea necesario.		
	Inspeccione la junta de la cabeza del cilindro. Reemplácela si presenta daño.		
	Inspeccione las superficies de la cabeza del cilindro y del bloque del cilindro en busca de planitud. Repare o reemplace si se encuentran fuera del margen de tolerancia.		
Si aún así el motor no arranca:	Reconstruya el motor, sustituya el motor o considere reemplazar la unidad.		

Problema:	Posible causa:	Solución:	Comprobación:
El motor arranca pero corre con dificultad o no tiene suficiente energía	Filtro de aire sucio	Revise el filtro de aire. Limpie o reemplace según sea necesario.	Arranque el motor. Revise si tiene energía o corre con dificultad
	Generador inclinado	Coloque el generador en una posición nivelada.	
	Aire en la línea de combustible o línea de combustible tapada	Revise la línea de combustible. Despeje o reemplace según sea necesario.	
	No hay suficiente combustible para el motor	Asegúrese de que la válvula de aguja se cierra adecuadamente. Limpie o reemplace según sea necesario.	
		Inspeccione la boquilla del combustible. Límpiela de ser necesario.	
		Inspeccione el flotador. Si el flotador está dañado o pegado, repárelo o reemplácelo según sea necesario.	
	Interruptor del control inteligente del motor encendido	Gire el interruptor de control inteligente del motor a la posición apagado.	
	Carbono acumulado en la cámara de combustión	Retire la cabeza del cilindro y limpie de ser necesario.	
Presión del cilindro	Revise la holgura de la válvula. Consulte el cuadro de Especificaciones de Mantenimiento para conocer el valor adecuado. Ajuste o repare según sea necesario.		
	Inspeccione la junta de la cabeza del cilindro. Reemplácela si presenta daño.		
Si el motor aún presenta baja energía:	Reconstruya el motor, sustituya el motor o considere reemplazar la unidad.		
El motor se apaga	No hay combustible	Revise el nivel de combustible. Rellene de ser necesario.	Arranque el motor. Revise si se apaga
	Aceite insuficiente en el motor	Compruebe el nivel de aceite. Si es bajo, añada aceite recomendado.	
	Filtro de aire sucio	Limpie el filtro de aire.	
	Sobrecarga del generador	Desenchufe alguno de los equipos.	
	La válvula de liberación de vacío está en la posición de apagado "O"	Cambie la válvula de liberación de vacío a la posición de encendido "I".	
	Si aún así el motor se apaga:	Reconstruya el motor, sustituya el motor o considere reemplazar la unidad.	
El motor hace sonidos inusuales	Golpeteo	Revise la temperatura del motor. Si el motor está muy caliente, consulte el apartado de sobrecalentamiento.	Arranque el motor. Revise en busca de algún sonido inusual
		Asegúrese de que el combustible es bueno y de la calificación adecuada. Drene y vuelva a llenar el depósito de combustible de ser necesario.	
		Revise la holgura de la válvula. Consulte el cuadro de Especificaciones de Mantenimiento para conocer el valor adecuado. Ajuste o repare según sea necesario.	
		Revise en busca de acumulaciones de carbono en el cilindro. Límpielo de ser necesario.	
		Inspeccione el pistón y los anillos del pistón. Si el pistón o anillos están desgastados o rotos, reemplace la pieza defectuosa.	

Problema:	Posible causa:	Solución:	Comprobación:
		Inspeccione el bulón del pistón y el orificio del bulón del pistón. Reemplácelo si está desgastado.	
	Si el motor aún hace sonido inusual:	Reconstruya el motor, sustituya el motor o considere reemplazar la unidad	
Sobrecalentamiento del motor	Aceite bajo	Revise el aceite. Vuelva a llenar el aceite o cambie el aceite según sea necesario.	Arranque el motor y deje que alcance su temperatura normal de servicio. Revise la temperatura.
	Tubo de escape bloqueado	Revise el escape. Si está bloqueado, elimine el bloqueo.	
	Residuos en las aletas de refrigeración	Limpie los residuos.	
	El cilindro o el pistón o el anillo del pistón está desgastado	Inspeccione el cilindro, el pistón y los anillos del pistón. Reemplácelos de ser necesario.	
	Biela deformada	Inspeccione la biela. Reemplácela de ser necesario.	
	Si el motor todavía se sobrecalienta:	Reconstruya el motor, sustituya el motor o considere reemplazar la unidad	
El motor arranca, pero el generador no provee energía o provee baja energía	El generador está sobrecargado; la luz de sobrecarga está encendida	Apague y desenchufe todos los dispositivos eléctricos, apague el motor, espere 10 a 15 minutos y enciéndalo nuevamente. Conecte menos cargas o de menor intensidad eléctrica.	Arranque el motor y revise el voltaje de salida
	El disyuntor está abierto	Cierre el disyuntor.	
	Conexión incorrecta	Pare el motor y compruebe las conexiones.	
	Cable de alimentación defectuoso	Sustituya el cable.	
	Equipo defectuoso conectado	Desenchufe el equipo defectuoso.	
	Mala conexión del control de inversor o control del inversor defectuoso	Revise los voltajes y conexiones. Apriete cualquier conexión floja. Reemplace el control del inversor.	
	Falso contacto en el cable del estátor o del rotor	Revise los contactos. Apriételos o reemplácelos según sea necesario.	
	Falso contacto en el panel, el medidor o los enchufes		
	Interruptor del control inteligente del motor encendido	Gire el interruptor de control inteligente del motor a la posición apagado.	
	Devanado o conexión de devanado defectuosos	Revise cada bobinado. Revise las conexiones a tierra. Apriete cualquier conexión floja y reemplace cualquier pieza defectuosa.	
Si todavía no hay energía o la energía es baja:	Reconstruya o sustituya el generador, o considere reemplazar la unidad.		

APÉNDICE

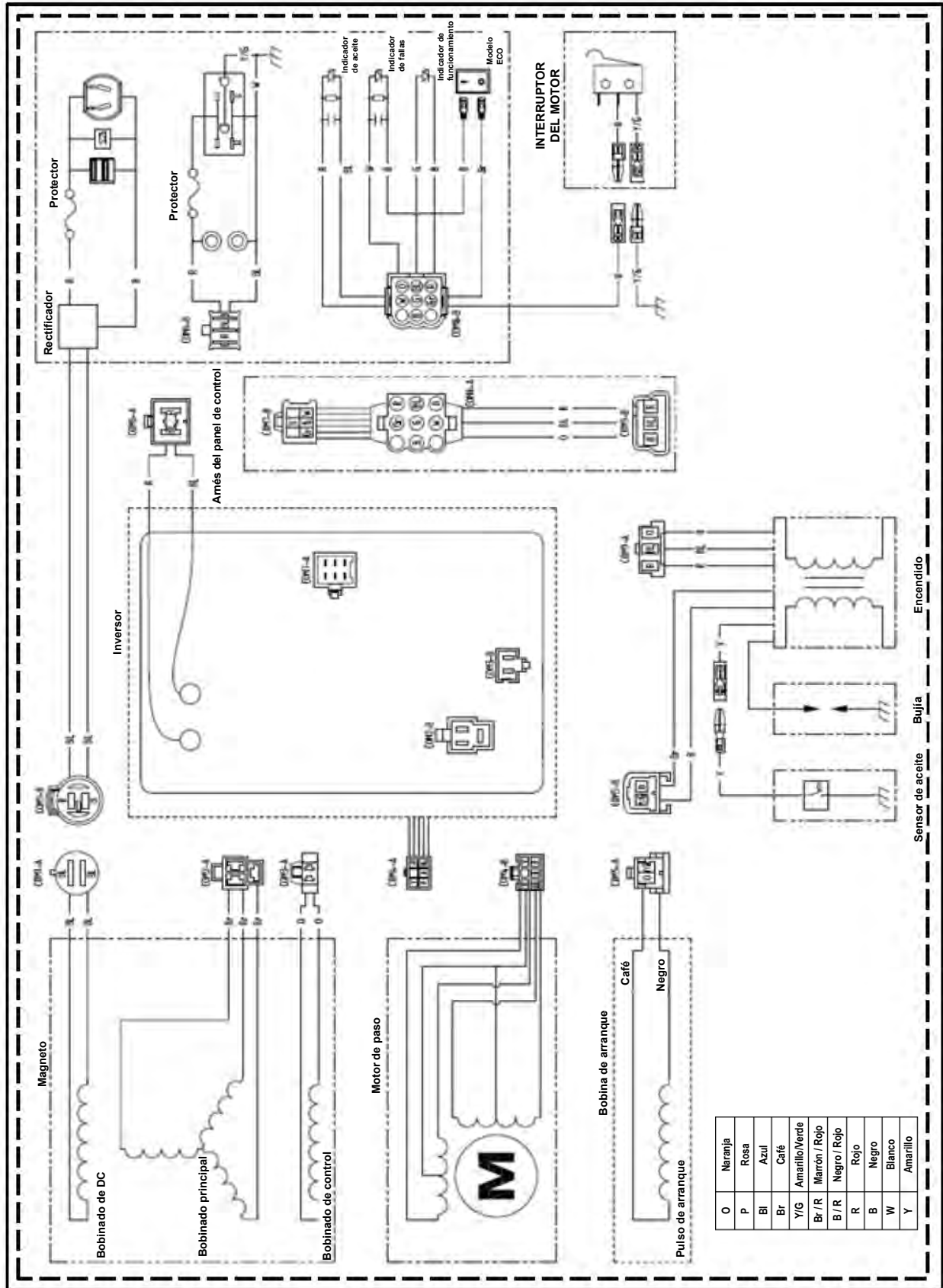
Especificaciones del producto

Motor	Tipo de motor	Cilindro individual, 4 tiempos, refrigeración por aire forzado
	Cilindrada (cc)	80
	Sistema de ignición	Electrónico
	Distancia entre electrodos	.024 - .028 pulgadas (0.6 – 0.7 mm)
	Volumen de combustible	1 galón americano (3.8 l)
	Consumo de combustible (g/(kWh))	≤450
	100% carga continua, tiempo de servicio (h)	3.5
	50% carga continua, tiempo de servicio (h)	6
	Capacidad de aceite	0.40 cuartos (0.38 l)
Generador	Potencia nominal (CC)	12 V 8.3 A
	Frecuencia nominal (Hz)	60
	Voltaje nominal (V)	120
	Potencia nominal de salida (kW)	1.8
	Potencia pico de salida (kW)	2
	Fase	Monofásico
	Distorsión armónica total	< 3%

Especificaciones de mantenimiento

Elemento	Especificación	Límite de servicio
Máxima velocidad (sin carga)	4650 rpm	-
Compresión (a 1400 rpm)	0.95 - 1.25 MPa	< 0.95 MPa
D.I. del orificio del cilindro	48.6 mm	48.655 mm
Planitud de la cubierta de la cabeza del cilindro	-	0.10 mm
O.D. de la falda del pistón	48.57 – 48.59 mm	48.47 mm
Distancia del pistón al cilindro	0.010 – 0.045 mm	0.135 mm
I.D. del orificio del bulón del pistón	11.002 – 11.01 mm	11.02 mm
O.D. del bulón del pistón	10.994 – 11.00 mm	10.984 mm
Distancia del bulón al orificio del bulón	0.002 – 0.016 mm	0.02 mm
Holgura lateral del anillo del pistón	0.015 – 0.05 mm	0.09 mm
Apertura del anillo del pistón	0.15 – 0.30 mm	0.60 mm
Apertura del anillo de aceite del pistón	0.20 – 0.70 mm	1.0 mm
Anchura del anillo del pistón	0.97 – 0.99 mm	0.92 mm
Anchura del anillo de aceite del pistón	0.385 – 0.425 mm	0.355 mm
I.D. del extremo del pistón de la biela	11.006 – 11.017 mm	11.05 mm
I.D. del extremo del cigüeñal de la biela	22.0 – 22.013 mm	22.04 mm
Holgura de aceite	0.020 – 0.043 mm	0.20 mm
Holgura lateral del extremo del cigüeñal	0.35 – 0.85 mm	1.1 mm
O.D. del perno del cigüeñal	21.97 – 21.98 mm	21.87 mm
Holgura de la válvula de entrada	0.05 ± 0.02 mm	0.10 mm
Holgura de la válvula de escape	0.05 ± 0.02 mm	0.10 mm
D.E. del vástago de la válvula de entrada	3.97 – 3.985 mm	3.87 mm
D.E. del vástago de la válvula de escape	3.935 – 3.95 mm	3.835 mm
I.D. de la guía de la válvula	8.2 – 9 mm	9.021 mm
Holgura del vástago de la válvula de entrada	0.015 – 0.042 mm	0.30 mm
Holgura del vástago de la válvula de escape	0.050 – 0.077 mm	0.30 mm
Anchura de la cubierta para salpicaduras	3.3 – 3.6 mm	3.7 mm
Longitud libre del resorte de la válvula	28.5 mm	25.5 mm
Lóbulo de entrada del árbol de levas	20.54 mm	20.34 mm
Lóbulo de escape del árbol de levas	20.54 mm	20.34 mm
O.D. del muñón del árbol de levas	15.95 – 16.05 mm	15.85 mm
I.D. del soporte del árbol de levas	15.95 – 16.05 mm	15.85 mm
Inyector principal del carburador	0.67 mm	-
Distancia entre electrodos	0.60 – 0.80 mm	-
Resistencia del cable de la bujía	3.0 – 12.0 kΩ	-
Resistencia de la bobina primaria de arranque	-	-
Resistencia de la bobina secundaria de arranque	3.5 kΩ	-
Espacio de aire de la bobina de arranque	0.35 – 0.65 mm	-
Resistencia del devanado del estátor	0.95 Ω ± 10% a 25°C	-
Resistencia del devanado del auxiliar del estátor	0.43 Ω ± 10% a 25°C	-
Bobinados DC	0.12 Ω ± 10% a 25°C	-

Esquema eléctrico





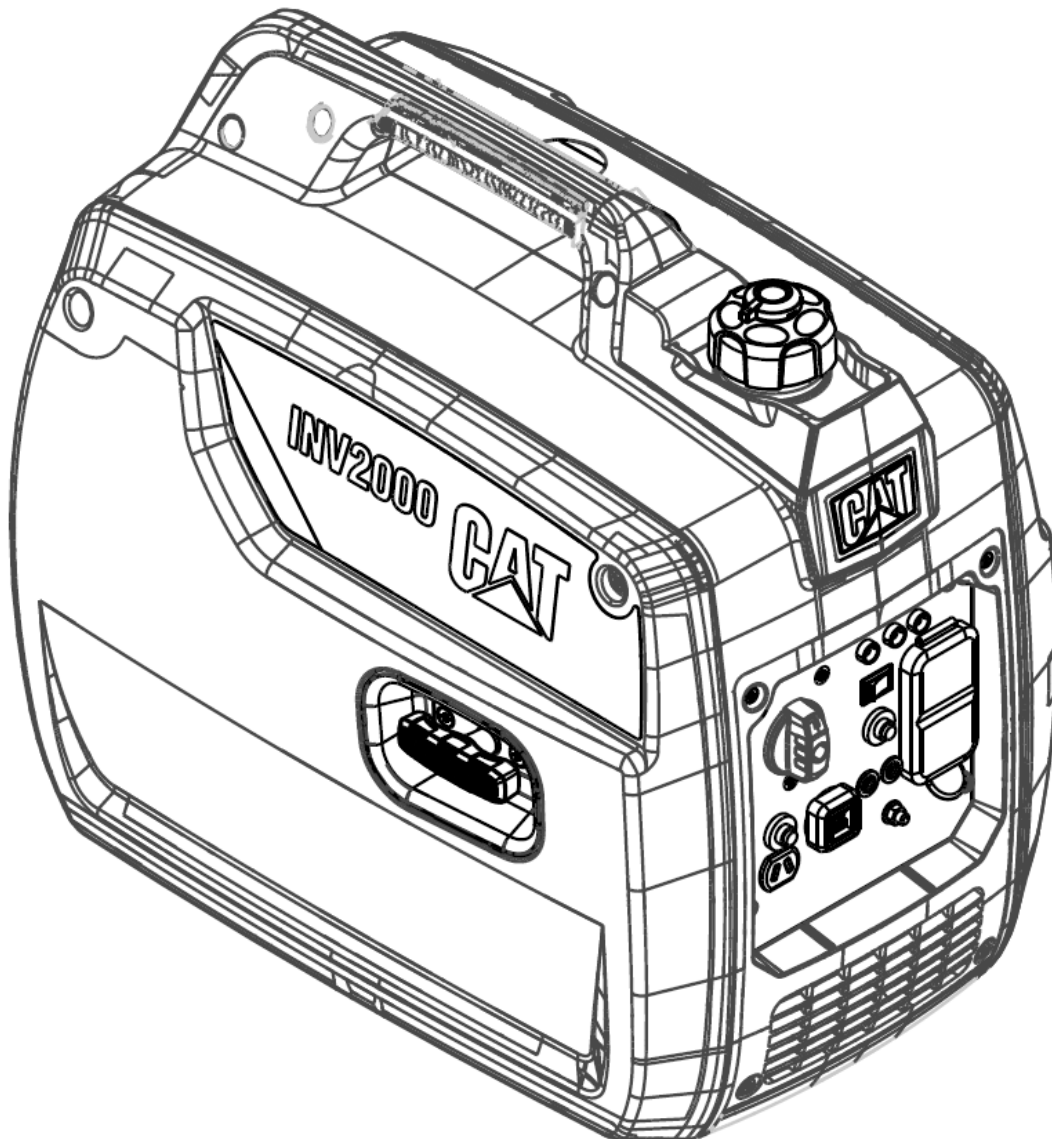
©2017 Caterpillar
Todos los derechos
reservados

CAT, CATERPILLAR, los logotipos correspondientes, el "amarillo Caterpillar" y la imagen comercial POWER EDGE, así como la identidad corporativa y de producto aquí utilizadas, son marcas comerciales de Caterpillar y no pueden ser usadas sin permiso.




Manuel d'entretien

Générateur portable INV2000



Renseignements importants concernant la sécurité

La plupart des accidents impliquant l'utilisation, l'entretien et la réparation du produit sont causés par le non-respect des règles ou des consignes de sécurité de base. Il est souvent possible d'éviter un accident en reconnaissant les situations potentiellement dangereuses avant qu'un accident se produise. Toute personne doit être consciente des risques potentiels, y compris des facteurs humains pouvant affecter la sécurité. Toute personne doit également être formée et posséder les compétences ainsi que les outils nécessaires pour effectuer correctement ces opérations.

Des consignes et des avertissements de sécurité sont fournis dans ce manuel ainsi que sur le produit. Si ces avertissements sont ignorés, vous ou d'autres personnes risquez de subir des blessures pouvant entraîner la mort. Les dangers sont identifiés par le « Symbole d'alerte de sécurité » , suivis d'un « mot indicateur », comme « DANGER », « AVERTISSEMENT » ou « ATTENTION ».

Caterpillar ne peut pas anticiper toutes les circonstances possibles pouvant impliquer un danger potentiel. Les avertissements inclus dans la présente publication et sur le produit ne représentent donc pas une liste exhaustive. Vous ne devez pas utiliser ce produit d'une manière qui diffère de celle indiquée dans ce manuel sans avoir pris en compte toutes les règles et consignes de sécurité applicables à l'utilisation du produit à l'emplacement prévu, y compris les règles et les consignes spécifiques applicables au lieu de travail. Si vous utilisez un outil, une procédure, une méthode de travail ou une technique d'utilisation qui ne fait pas partie des recommandations spécifiques de Caterpillar, vous devez vous assurer que cela ne présente aucun danger pour vous ni pour les autres. Vous devez également vous assurer que vous avez l'autorisation d'effectuer cette tâche et que le produit ne sera ni endommagé ni rendu dangereux par les procédures d'utilisation, de lubrification, d'entretien ou de réparation que vous envisagez d'utiliser.

Les renseignements, les caractéristiques et les illustrations inclus dans la présente publication sont basés sur les données disponibles au moment de sa rédaction. Les caractéristiques, les valeurs de couple et de pression, les mesures, les réglages, les illustrations et d'autres éléments peuvent être modifiés à tout moment. Ces modifications peuvent avoir un impact sur l'entretien du produit. Procurez-vous les tout derniers renseignements complets avant d'entreprendre une tâche.

Aux États-Unis, l'entretien, le remplacement ou la réparation des dispositifs et des systèmes de contrôle des émissions peuvent être effectués par un établissement quelconque de réparation ou un individu choisi par le propriétaire.

Ce manuel contient des renseignements à propos de la sécurité, de l'entretien, du dépannage, du montage et du démontage. Le présent manuel doit être entreposé avec le produit. Lisez et étudiez le manuel, et entreposez-le avec la documentation et les renseignements sur le produit.

Avertissement concernant la Proposition 65 de Californie



AVERTISSEMENT

Ce produit, ainsi que tous ses accessoires, peut vous exposer à des substances chimiques telles que le benzène, reconnu par l'État de Californie comme cancérigène, mutagène et reprotoxique. Pour plus de renseignements, consultez le site www.P65Warnings.ca.gov. Pour réduire les risques pour la santé, évitez d'inhaler les vapeurs de carburant et d'essence, ainsi que les gaz d'échappement du moteur. Lavez-vous les mains après utilisation.

Table des matières

Avertissement concernant la Proposition 65 de Californie	2
MESSAGES DE SÉCURITÉ	5
Messages supplémentaires	6
Exigences spéciales	6
IDENTIFICATION DES COMPOSANTS	7
Type de moteur et numéro de série	8
Maintenance	9
Maintenance périodique	9
Outils spéciaux	9
Procédures d'entretien et de maintenance	10
Filtre à air – Vérification	10
Arbre à cames – Inspection/Remplacement	10
Carburateur – Inspection/Réglage	11
Panneau de commande – Utilisation	12
Vilebrequin – Inspection/remplacement	13
Pression du cylindre – Vérification	13
Niveau d'huile moteur – Vérification	13
Huile moteur – Changement	14
Soupape du moteur – Inspection/remplacement	14
Conduite d'alimentation en carburant et filtre à carburant – Remplacement	17
Bouchon et filtre du réservoir de carburant – Nettoyage	18
Générateur – Inspection	18
Trousse de haute altitude	18
Silencieux – Inspection/Remplacement	18
Bougie – Vérification	19
Pare-étincelles – Inspection/Nettoyage/Remplacement	19
Bougie d'allumage – Inspection/Réglage/Remplacement	19
Inspection visuelle	20
Enroulements – Test	20
ENTREPOSAGE	21
Entreposage de 1 à 3 mois	21
Entreposage de plus de 3 mois	21
SCHÉMAS	22
Logement du filtre à air	22
Alternateur	23
Carburateur	24
Panneau de commande	26

Carter moteur et piston.....	27
Culasse de cylindre et soupapes.....	28
Volant d'inertie.....	30
Réservoir de carburant.....	31
Silencieux.....	32
Démarrreur manuel.....	33
DÉPANNAGE.....	34
ANNEXE.....	37
Caractéristiques du produit.....	37
Caractéristiques d'entretien.....	38
Schéma électrique.....	39

MESSAGES DE SÉCURITÉ

Plusieurs messages de sécurité spécifiques peuvent être présents sur votre générateur. Familiarisez-vous avec tous les messages de sécurité.

Vérifiez que tous les messages de sécurité sont lisibles. Nettoyez les messages de sécurité ou remplacez-les si les mots deviennent illisibles ou si les illustrations ne sont pas visibles. Utilisez un chiffon, de l'eau et du savon pour nettoyer les messages de sécurité. N'utilisez pas de solvants, d'essence ou d'autres produits chimiques abrasifs. Les solvants, l'essence ou d'autres produits chimiques abrasifs pourraient décoller l'adhésif servant à fixer les messages de sécurité.

Remplacez tout message de sécurité endommagé ou manquant. Si un message de sécurité est fixé sur une pièce du générateur qui doit être remplacée, installez un nouveau message de sécurité sur la pièce de rechange.



Lisez le manuel

AVERTISSEMENT

N'utilisez pas ce générateur et ne travaillez pas dessus avant d'avoir lu et compris l'ensemble des instructions et des avertissements fournis dans le manuel d'utilisation. Le non-respect des instructions ou des avertissements peut provoquer des blessures pouvant entraîner la mort. Vous êtes responsable du bon entretien du produit.

Surface chaude/Ne pas toucher/ Matériau inflammable








AVERTISSEMENT

Les pièces chaudes ou les composants chauds peuvent provoquer des brûlures ou des blessures corporelles. Évitez tout contact entre les pièces ou composants chauds et votre peau. Utilisez des vêtements de protection ou un équipement de protection pour protéger votre peau. Les gaz d'échappement chauds constituent un risque potentiel d'incendie. Veillez à tenir tout élément inflammable à plus de 3 mètres de l'échappement.



Monoxyde de carbone

 DANGER	
Using a generator indoors CAN KILL YOU IN MINUTES. Generator exhaust contains carbon monoxide. This is a poison you cannot see or smell.	
 NEVER use inside a home or garage, EVEN IF doors and windows are open.	 Only use OUTSIDE and far away from windows, doors, and vents.
 DANGER	 PELIGRO
Utiliser un générateur à l'intérieur PEUT VOUS TUER EN QUELQUES MINUTES. Les gaz d'échappement du générateur contiennent du monoxyde de carbone. C'est un gaz toxique invisible et inodore. <ul style="list-style-type: none">• N'utilisez JAMAIS le générateur à l'intérieur d'une maison ou d'un garage, MÊME si les portes et les fenêtres sont ouvertes• Utiliser UNIQUEMENT à l'EXTÉRIEUR et loin des fenêtres, portes et ventilations.	Si usa un generador en interiores, MORIRA EN POCOS MINUTOS. El escape del generador contiene monóxido de carbono. Es un veneno que no tiene olor ni se puede ver. <ul style="list-style-type: none">• NUNCA lo use dentro de una casa o garaje. AUN si las puertas y ventanas están abiertas.• Sólo úselo en EXTERIORES y lejos de ventanas, puertas y ductos de ventilación.

L'utilisation d'un générateur à l'intérieur peut vous tuer en quelques minutes. Les gaz d'échappement du générateur contiennent du monoxyde de carbone. C'est un gaz toxique invisible et inodore. N'utilisez jamais le générateur à l'intérieur d'une maison ou d'un garage, même si les portes et les fenêtres sont ouvertes. Utilisez-le uniquement à l'extérieur, et loin des fenêtres, portes et ventilations. Si une personne est prise de vertiges, de maux de tête, de nausée ou se sent fatiguée, transportez-la immédiatement à l'air frais et appelez un médecin.



Électrocution

DANGER

Risque d'électrocution ou de choc électrique : N'utilisez pas ce générateur et ne travaillez pas dessus avant d'avoir lu et compris l'ensemble des instructions et des avertissements fournis dans le manuel d'utilisation. Le non-respect des instructions ou des avertissements peut provoquer de graves blessures pouvant entraîner la mort.

⚠ AVERTISSEMENT

Le fonctionnement de cet équipement peut créer des étincelles qui peuvent engendrer un incendie de la végétation sèche environnante. Un pare-étincelles peut être nécessaire. L'opérateur devrait communiquer avec les services locaux d'incendie pour connaître les lois et règlements liés à la protection contre les incendies.

Code de la santé et de la sécurité
en Californie 119080

⚠ AVERTISSEMENT

Les retours de tension dans le système de distribution de l'alimentation secteur peuvent entraîner des dommages matériels, des blessures graves ou la mort.

Ne connectez le générateur au système électrique d'un bâtiment qu'après avoir utilisé le commutateur principal de l'immeuble pour isoler ce dernier du système d'alimentation secteur. Pour les installations permanentes, le raccordement doit se faire uniquement au moyen d'un commutateur à deux directions, afin d'isoler le bâtiment du système d'alimentation secteur. Consultez un technicien qualifié pour une installation et une utilisation adéquates. Respectez toutes les lois et tous les codes électriques applicables.

Messages supplémentaires

	Ne l'utilisez pas dans des conditions humides.
	Interdiction de fumer, flammes nues et étincelles interdites.
	Maintenez une distance minimale de 1,5 mètre (5 pieds) avec les autres objets.
	Vérifiez que l'unité est correctement mise à la terre.
	Connexion de la prise de terre.

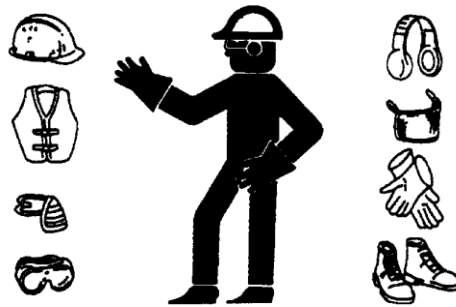
Exigences spéciales

L'appareil électrique (y compris les câbles et les connecteurs) doit être couvert et protégé contre l'humidité.

Dans toute installation de groupe électrogène, le châssis du générateur doit être mis à la terre. Une borne de terre est fournie.

Le générateur INV2000 possède un conducteur neutre permanent relié au châssis.

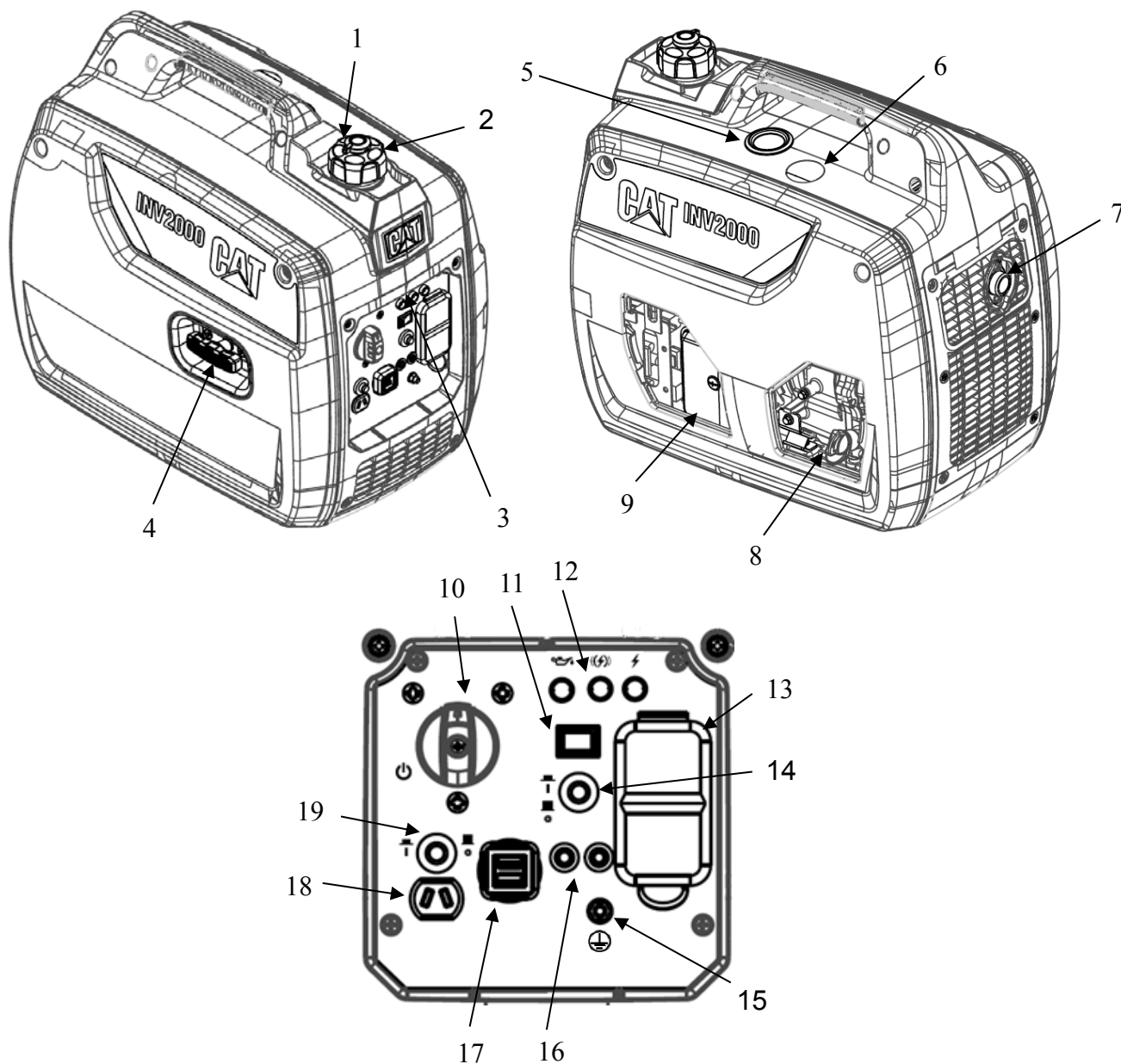
Pour une alimentation de 120 V c.a, utilisez des rallonges de tension nominale minimale de 125 V à 20 A. Utilisez la rallonge la plus courte correspondant à ces exigences.



- Portez un casque, des lunettes de protection et tout autre équipement de protection nécessaire.
- Si les travaux sont effectués à proximité d'un moteur en marche, portez des dispositifs de protection auditive afin d'empêcher tout dommage de l'ouïe.
- Ne portez pas de vêtements amples ou de bijoux qui peuvent s'accrocher sur les commandes ou sur d'autres pièces du moteur.
- Vérifiez que tous les dispositifs de protection et tous les couvercles sont bien fixés sur le moteur.
- Ne mettez jamais les liquides d'entretien dans des récipients en verre. Les récipients en verre peuvent se briser.
- Utilisez toutes les solutions de nettoyage avec soin.

Les disjoncteurs doivent correspondre aux caractéristiques du générateur. Si les disjoncteurs nécessitent un remplacement, ils doivent être remplacés par des disjoncteurs du même type et disposant des mêmes caractéristiques de performances.

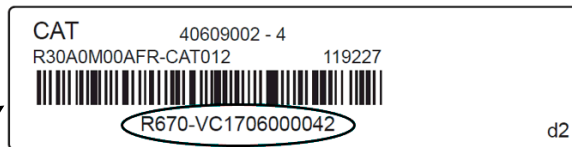
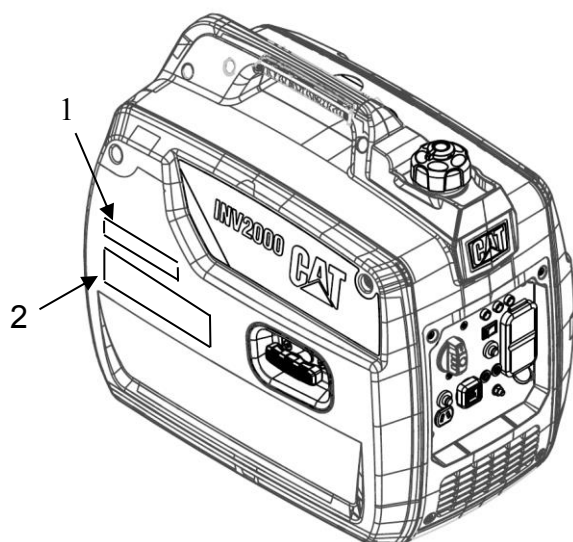
IDENTIFICATION DES COMPOSANTS



- | | |
|---|---|
| 1) Soupape d'évacuation sous vide | 11) Commutateur de commande intelligent du moteur |
| 2) Bouchon du réservoir de carburant | 12) Voyants DEL |
| 3) Voyant du panneau | 13) Prise – 120 V c.a GFCI (double) |
| 4) Démarreur manuel | 14) Disjoncteur C.A. |
| 5) Jauge à carburant | 15) Borne de terre |
| 6) Couvercle de la bougie d'allumage | 16) Prises parallèles |
| 7) Pare-étincelles | 17) Prise – USB (double) |
| 8) Jauge d'huile/Remplissage d'huile/
Vidange d'huile* | 18) Prise – 12 VCC. 8,3 A |
| 9) Système de filtre à air* | 19) Disjoncteur CC |
| 10) Commutateur du générateur | |

*derrière la porte d'accès de service

Type de moteur et numéro de série



Les générateurs portables Cat^{MD} sont identifiés à l'aide d'un numéro de modèle, d'un numéro de série et d'un numéro de caractéristiques de performances. Le numéro de modèle et les caractéristiques de performances se trouvent sur la plaque signalétique (2). Le numéro de série se trouve sur la plaque du numéro de série (1).

Maintenance

Maintenance périodique

Vous trouverez ci-dessous les intervalles correspondants à une maintenance normale du produit. La section Procédures de maintenance et d'entretien contient les procédures à suivre pour une maintenance normale et des procédures d'entretien plus détaillées que l'utilisateur type ne sera peut-être pas en mesure d'effectuer. N'ESSAYEZ PAS d'effectuer des procédures pour lesquelles vous n'êtes pas qualifié.

Assurez-vous que tous les renseignements concernant la sécurité, les avertissements et les instructions sont lus et compris avant d'effectuer des procédures d'exploitation ou de maintenance.

Utilisez le nombre d'heures de fonctionnement ou la date du calendrier, SELON LA PREMIÈRE ÉCHÉANCE, afin de déterminer les intervalles d'entretien corrects.

Arrêtez le moteur avant d'effectuer l'entretien. Placez le générateur sur une surface plane et retirez le bouchon de la bougie d'allumage afin d'empêcher le moteur de démarrer. Ne faites jamais tourner le moteur dans une pièce non ventilée ni dans un espace clos.

Lorsque nécessaire :

Bouchon et filtre du réservoir de carburant – Nettoyage

À chaque utilisation :

Niveau d'huile moteur – Vérification
Inspection visuelle

Après les 8 premières heures d'utilisation ou au bout d'un mois :

Huile moteur – Changement

Tous les mois :

Générateur – Inspection

Toutes les 25 heures d'utilisation ou tous les 3 mois :

Huile moteur – Changement
Filtre à air – Vérification

Toutes les 50 heures d'utilisation ou tous les 3 mois :

Pare-étincelles –
Inspection/Nettoyage/Remplacement

Toutes les 100 heures d'utilisation ou tous les 6 mois :

Bougie d'allumage –
Inspection/Réglage/Remplacement

Toutes les 300 heures d'utilisation ou tous les ans :

Culasse de cylindre – Nettoyage
Jeu des soupapes du moteur – Vérification

Tous les 2 ans :

Conduit de carburant –
Vérification/remplacement le cas échéant

REMARQUE : N'utilisez que des pièces Caterpillar d'origine.

Outils spéciaux

Les outils suivants peuvent être nécessaires pour les procédures d'entretien :

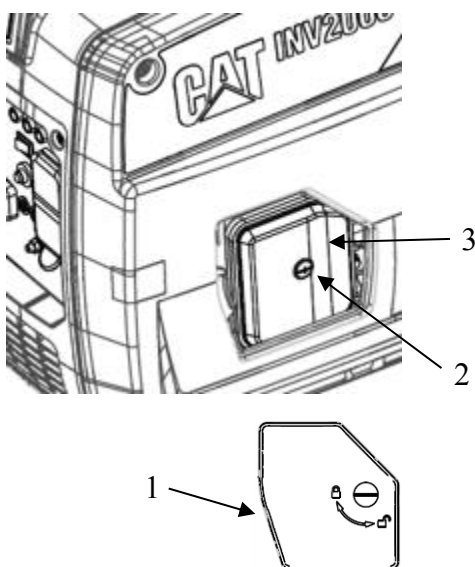
- Entraîneur de roulement
- Extracteur de roulement
- Manomètre à compression
- Entraîneur de volant d'inertie
- Mégohmmètre
- Micromètre
- Multimètre (volts et ohms)
- Entraîneur de piston
- Extracteur de segment de piston
- Collier à segment
- Entraîneur du guide de soupape
- Alésoir pour guide de soupape
- Lame de découpe pour siège de soupape à 32°
- Lame de découpe pour siège de soupape à 45°

Procédures d'entretien et de maintenance

Filtre à air – Vérification

Un filtre à air sale empêche l'air de bien circuler dans le carburateur, augmente la consommation de carburant et peut endommager le moteur. Entretenez régulièrement le filtre à air afin de garder le générateur en bon état de marche. Entretenez-le plus fréquemment en cas d'utilisation du générateur dans des zones extrêmement poussiéreuses.

Remarque : N'utilisez jamais le générateur si le filtre à air n'est pas en place. Utiliser le générateur sans filtre à air entraîne une usure rapide du moteur.



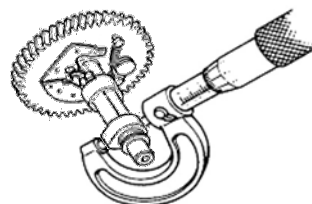
Ouvrez la porte de service gauche (1). Retirez le boulon (2) du couvercle du filtre à air, puis retirez le couvercle du filtre à air (3) en retirant la porte de service. Vérifiez que le filtre à air est propre et non endommagé. Si le filtre à air est sale, lavez-le. S'il est endommagé, remplacez-le.

Utilisez un solvant non inflammable ou un mélange de détergent domestique et d'eau chaude pour laver le filtre. Rincez le filtre à fond pour éliminer la totalité de la solution de nettoyage. Lorsque le filtre est sec, versez une petite quantité d'huile moteur sur le filtre et pressez-le pour répartir l'huile sur toute sa surface. Éliminez le surplus d'huile et remplacez le filtre.

Remarque : N'essorez pas le filtre. Le fait d'essorer le filtre peut l'endommager.

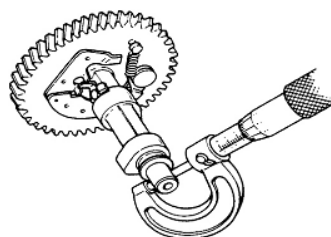
Utilisez un chiffon humide pour nettoyer la saleté présente sur le boîtier et sur le couvercle. Installez le filtre dans le logement. Placez le couvercle du filtre à air sur le filtre et réinstallez le boulon du couvercle du filtre à air. Réinstallez la porte de service.

Arbre à cames – Inspection/Remplacement



Vérifiez que l'arbre à cames n'a pas subi de dommages ni d'usure inhabituelle. Mesurez la levée des lobes de l'arbre à cames. Les limites acceptables de levée sont répertoriées dans le tableau ci-dessous. Si la levée est en dehors de la plage acceptable, remplacez l'arbre à cames.

Modèle :	Lobe :	Levée normale :	Levée minimale :
INV2000	Admission	20,54 mm	20,34 mm
	Échappement	20,54 mm	20,34 mm

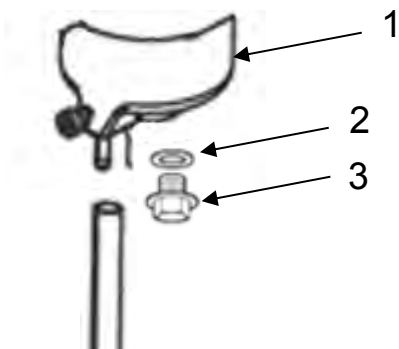


Mesurez le diamètre extérieur de l'arbre à cames. Les limites acceptables de diamètre sont répertoriées dans le tableau ci-dessous. Si le diamètre est en dehors de la plage acceptable, remplacez l'arbre à cames.

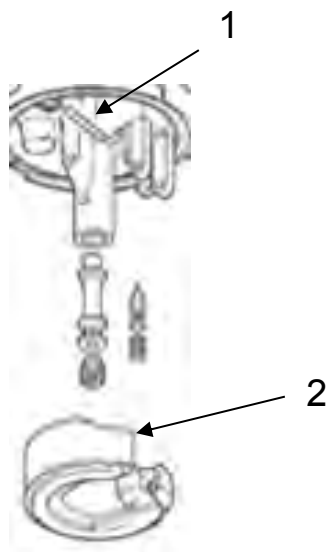
Modèle :	Normal :	Minimum :
INV2000	16,0 mm	15,85 mm

Carburateur – Inspection/Réglage

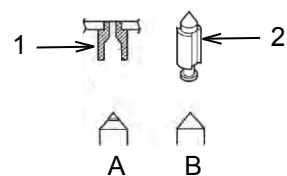
Retirez le panneau latéral (du côté des portes d'accès de service) en retirant les deux boulons, en soulevant le panneau et en l'écartant (attention à ne pas casser les languettes de positionnement). Retirez le filtre à air et le logement. Lorsque vous retirez le carburateur, utilisez un récipient adapté pour vidanger le carburant du tuyau (fixé à la partie inférieure du carburateur). Éliminez correctement le carburant. Nettoyez la surface extérieure du carburateur avant de procéder au démontage.



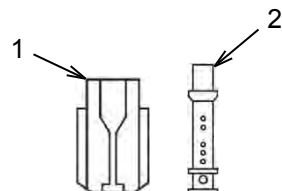
Retirez le boulon (3) et le joint (2). Retirez prudemment la cuve à niveau constant (1) et retenez les petites pièces qui sont susceptibles de tomber.



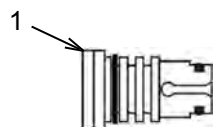
Retirez l'axe de flotteur (1), puis retirez le flotteur (2) précautionneusement en faisant attention aux petites pièces. Nettoyez les pièces internes avec un nettoyant de carburateur et de l'air comprimé.



Vérifiez toute trace d'usure sur le pointeau de carburateur (2) et son siège (1). La figure A montre un pointeau de carburateur usé qui a besoin d'être remplacé. La figure B montre un pointeau de carburateur qui peut être réutilisé.



Inspectez le gicleur principal de carburant (1) et l'injecteur principal de carburant (2). Remplacez-les en cas d'usure.



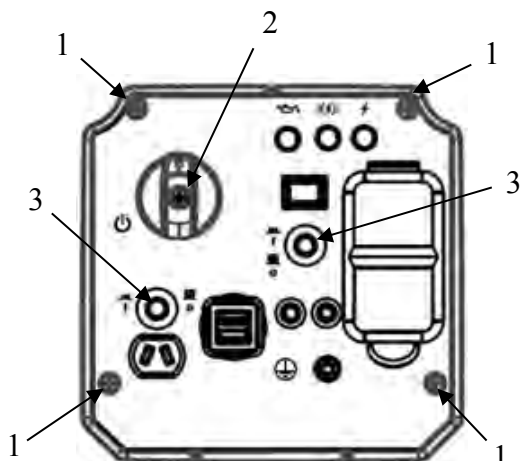
Inspectez le gicleur de ralenti (1). Remplacez la pièce si elle est endommagée. Appliquez une légère couche d'huile sur les joints toriques avant la réinstallation.

Après avoir réinstallé le flotteur, appuyez légèrement dessus avec le doigt pour vous assurer qu'il bouge librement. Vérifiez que le pointeau de carburateur est simplement en contact avec le siège de soupape et que le ressort n'est pas comprimé.

Placez la cuve à niveau constant de façon à ce que le tuyau de vidange puisse être accessible par la porte d'accès de service. Installez le joint et le boulon de façon à maintenir la cuve en place.

Réinstallez le carburateur. Après avoir démarré l'unité, vérifiez qu'il n'y a pas de fuite.

Panneau de commande – Utilisation



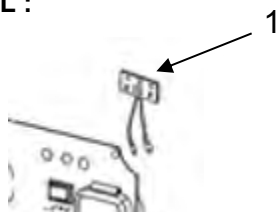
Retirez les quatre boulons (1). Retirez la vis du commutateur du générateur (2) et tirez le commutateur du générateur vers l'avant. Retirez les écrous du disjoncteur (3) en les dévissant. Tirez lentement le couvercle du panneau de commande vers le haut et vers l'avant. Vérifiez que les câbles peuvent bouger librement et ne sont pas endommagés. Marquez les câbles pour les identifier, puis débranchez les faisceaux de câbles. Retirez le couvercle avant et placez-le sur une surface qui le protégera de tout dommage.

Disjoncteurs :



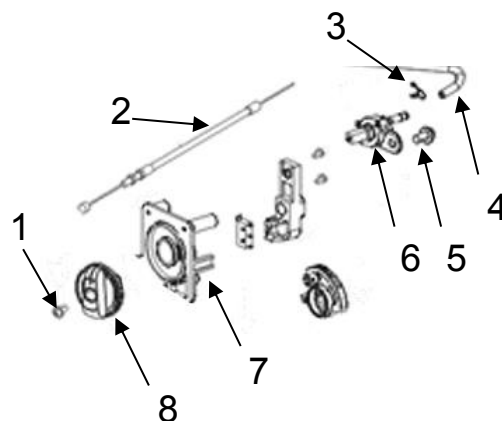
Chaque disjoncteur est fixé au panneau à l'aide d'un demi-écrou qui se trouve sur la partie avant du panneau. Marquez les câbles pour les identifier, puis débranchez le disjoncteur. Retirez le demi-écrou de la partie avant du panneau, puis retirez le disjoncteur de l'arrière de ce panneau.

Voyants DEL :



Les voyants DEL (1) sont fixés au panneau avec un support installé à l'arrière du panneau. Débranchez le faisceau du connecteur et retirez le support. Retirez les voyants DEL du support.

Commutateur du générateur :



Le commutateur du générateur est fixé au panneau à l'aide d'une vis (1). Retirez la vis et le bouton (8) à l'avant du panneau. La bielle de l'étrangleur (2) est fixée au commutateur du générateur à l'arrière du panneau. La conduite d'alimentation en carburant (4) est fixée grâce à un collier (3) à l'arrière du réservoir (6) et est fixée à l'arrière du commutateur du générateur avec un boulon (5). Retirez le commutateur du générateur (7) à l'arrière du panneau une fois qu'il est débranché.

Prises et couvercles :



Chaque prise (DDFT, CC et USB) est fixée au panneau à l'aide de deux écrous. Marquez les câbles pour les identifier, puis retirez-les de la prise. Retirez les écrous, puis retirez la prise de l'arrière du panneau. Vous pouvez ensuite retirer le couvercle de la prise de la partie avant du panneau.

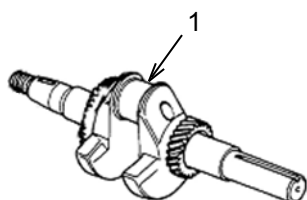
Borne de terre :

La borne de terre (1) est fixée au panneau à l'aide d'un double écrou qui se trouve sur la partie avant du panneau. Retirez le double écrou de l'avant du panneau, puis retirez la borne de terre de l'arrière du panneau.

Vilebrequin – Inspection/remplacement

Inspectez le joint étanche à l'huile du vilebrequin. Si le joint est endommagé ou si vous remarquez des signes de fuite, remplacez-le.

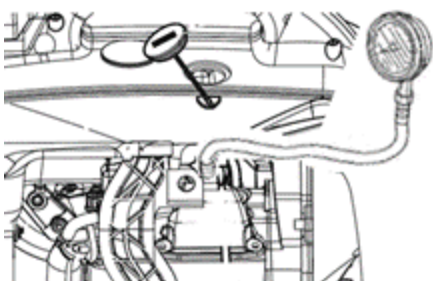
Inspectez le palier du vilebrequin. Si le palier est entaillé ou s'il montre des signes de décoloration due à une température excessive, remplacez-le. Enduisez le palier d'huile moteur avant de l'installer.



Vérifiez le diamètre de la portée du vilebrequin (1). Un diamètre normal est compris entre 21,97 et 21,98 mm. Si le diamètre est inférieur ou égal à 21,87 mm, remplacez le vilebrequin.

Lorsque vous installez le vilebrequin, insérez-le de manière à ce que le palier touche le carter sans endommager le joint étanche à l'huile.

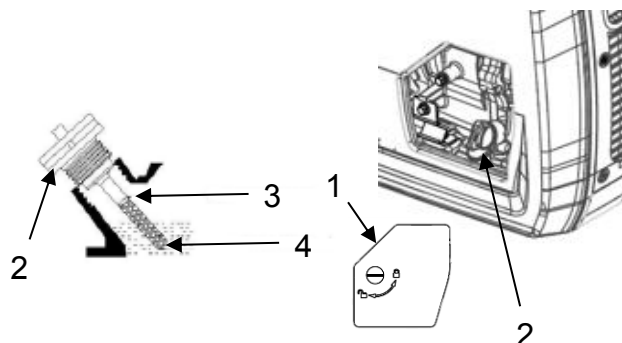
Pression du cylindre – Vérification



- Retirez le panneau latéral (du côté des portes d'accès de service) en retirant les deux boulons, en soulevant le panneau et en l'écartant (attention à ne pas casser les languettes de positionnement).
- Retirez la coiffe de la bougie d'allumage, puis retirez la bougie d'allumage.
- Branchez le manomètre à compression comme illustré ci-dessus.
- Tirez plusieurs fois sur la poignée du démarreur manuel et notez la pression du cylindre.
- Si la pression du cylindre n'est pas supérieure ou égale à 0,95 MPa (138 psi), consultez la section Dépannage.

Niveau d'huile moteur – Vérification

Pour vérifier le niveau d'huile moteur, mettez toujours le générateur sur une surface plane et arrêtez le moteur.



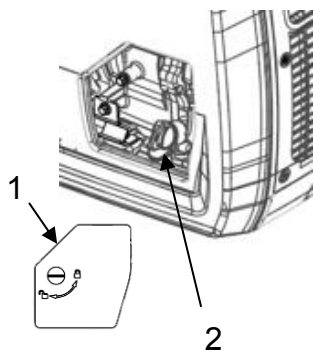
1. Ouvrez la porte de service droite (1). Retirez la jauge de niveau d'huile (2) et nettoyez-la avec un chiffon.
2. Vérifiez le niveau d'huile en introduisant à nouveau la jauge de niveau d'huile (ne l'insérez pas totalement).
3. Si le niveau de l'huile est bas (4), ajoutez l'huile moteur recommandée à l'aide de l'entonnoir fourni jusqu'à ce que le niveau atteigne la marque supérieure (3) de la jauge de niveau d'huile. Utilisez le tableau ci-dessous pour déterminer la viscosité de l'huile à utiliser.

Viscosités de lubrifiant recommandées pour Température ambiante				
Viscosité de l'huile	°C		°F	
	Min.	Max.	Min.	Max.
SAE 0W-40	-40	40	-40	104
SAE 5W-40	-30	50	-22	122
SAE 10W-30	-18	40	0	104
SAE 15W-40	-10	50	14	122

4. Après avoir ajouté de l'huile, remplacez et resserrez la jauge de niveau d'huile (2), puis refermez la porte de service (1).

Remarque : Les huiles non détergentes ou pour moteur à 2 temps risquent d'endommager le moteur et ne doivent pas être utilisées.

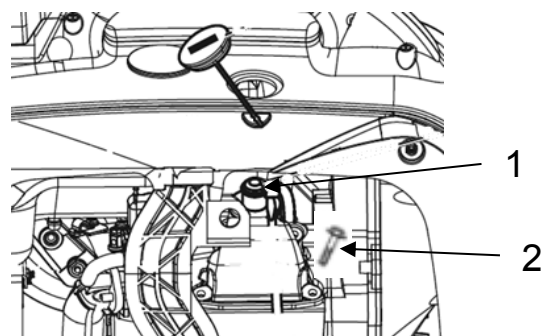
Huile moteur – Changement



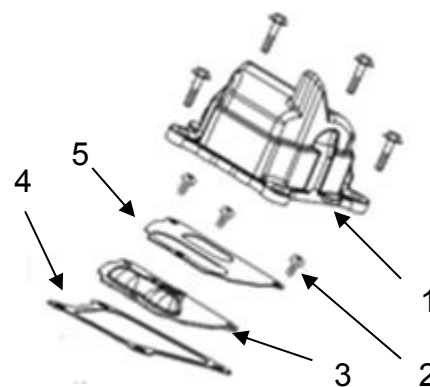
1. Faites tourner le moteur jusqu'à ce qu'il atteigne une température de fonctionnement normale. Arrêtez le moteur et utilisez un récipient adapté pour récupérer l'huile usée.
2. Fermez la soupape d'évacuation sous vide sur le bouchon du réservoir en la tournant dans le sens inverse des aiguilles d'une montre jusqu'à la position « O ».
3. Ouvrez la porte de service droite (1). Retirez la jauge de niveau d'huile (2), nettoyez-la avec un chiffon et mettez-la de côté.
4. Fixez l'entonnoir à huile fourni, puis inclinez le générateur pour que l'huile usée du moteur se déverse dans le récipient. Inclinez entièrement le générateur jusqu'à ce que le carter moteur se vide. Nettoyez l'entonnoir avec un chiffon.
5. Ajoutez de l'huile en utilisant l'entonnoir fourni et vérifiez le niveau d'huile. Consultez la section « Niveau d'huile moteur – Vérification ».
6. Remplacez et resserrez la jauge de niveau d'huile. Fermez la porte de service (1).
7. Mettez l'huile usée au rebut de façon adéquate.
8. Démarrez le moteur pendant un court moment et vérifiez qu'il n'y a pas fuites.
9. Arrêtez le moteur et vérifiez le niveau d'huile. Consultez la section « Niveau d'huile moteur – Vérification ».

Soupape du moteur – Inspection/remplacement

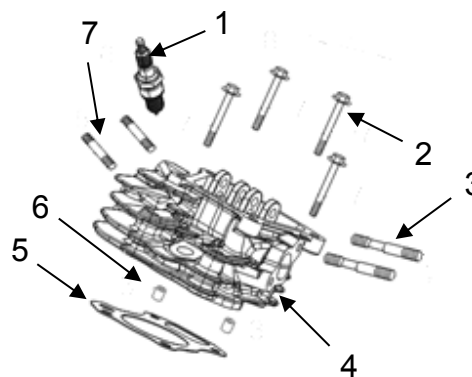
Retirez le panneau latéral (du côté des portes d'accès de service) en retirant les deux boulons, en soulevant le panneau et en l'écartant (attention à ne pas casser les languettes de positionnement).



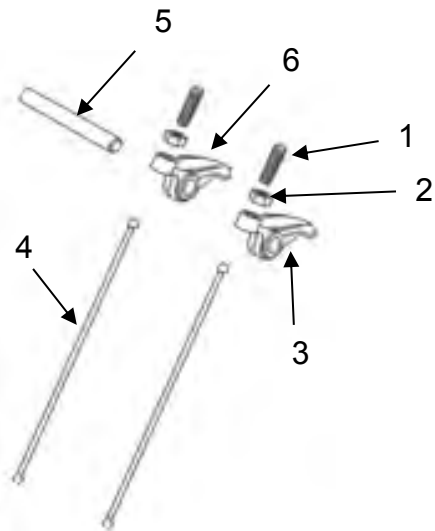
Retirez la coiffe de la bougie d'allumage (1) et les boulons du couvercle de soupape (2).



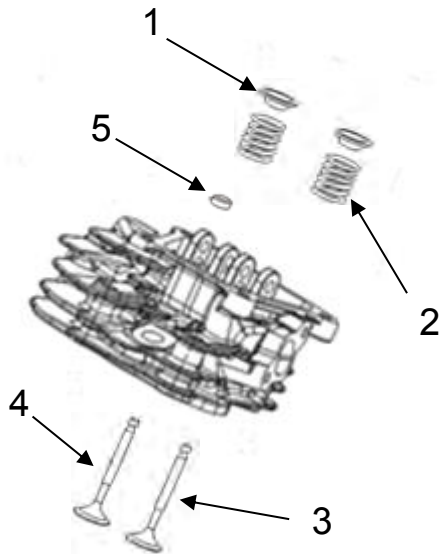
Retirez le couvercle de la soupape (1). Retirez les vis (2), le reniflard (5) et le joint de reniflard (3). Retirez le joint du couvercle de la soupape (4).



Retirez la bougie d'allumage (1). Dévissez les boulons de la culasse de cylindre (2), puis retirez la culasse (4). Retirez la rondelle de la culasse (5) et jetez la rondelle usée. Retirez les languettes de positionnement (6) et mettez-les de côté. Pour cette procédure, les goujons (3) et (7) peuvent rester dans la culasse.



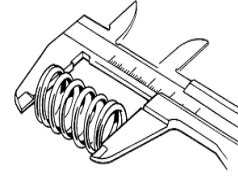
Retirez l'écrou de verrouillage (2) et l'écrou de réglage (1). Retirez la tige (5), puis retirez le culbuteur de la soupape d'échappement (6). Répétez le processus pour le culbuteur de la soupape d'admission (3). Vérifiez d'éventuelles traces d'usure sur les culbuteurs. Remplacez la pièce si elle est endommagée. Retirez les tiges de culbuteur (4). Inspectez les tiges de culbuteur. Vérifiez qu'elles sont droites et ne sont pas marquées. Vérifiez si les bouts des tiges de culbuteur sont usés. Remplacez toute tige de culbuteur usée ou endommagée.



Remarque : Ne retirez pas la bague d'arrêt (1) tant que la culasse est encore sur le moteur pour éviter que les soupapes glissent dans le cylindre.

Appuyez sur la bague d'arrêt (1) et déplacez-la vers le côté pour que la tige de soupape puisse passer par le trou plus large. Retirez le ressort de soupape (2) et la soupape d'échappement (4). Répétez le processus pour la soupape d'admission (3) et la bague d'arrêt.

Ressorts de soupape :



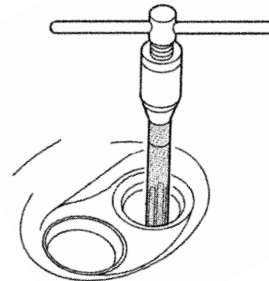
Vérifiez la longueur libre du ressort de soupape. La longueur libre normale est de 28,5 mm. Si la longueur libre est inférieure ou égale à 25,5 mm, remplacez le ressort.

Modèle :	Normal :	Minimum :
INV2000	28,5 mm	25,5 mm

Guides de soupape :

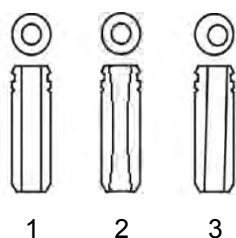
Inspectez les guides de soupape. Vérifiez qu'ils sont bien ajustés dans la culasse. Inspectez les surfaces internes des guides de soupape. La surface interne doit être lisse, sans fissure ni trou. Si la surface interne est endommagée, remplacez le guide de soupape.

Guides de soupape – Alésage :



Pour de meilleurs résultats, effectuez cette procédure lorsque les guides de soupape et la culasse sont à la température ambiante.

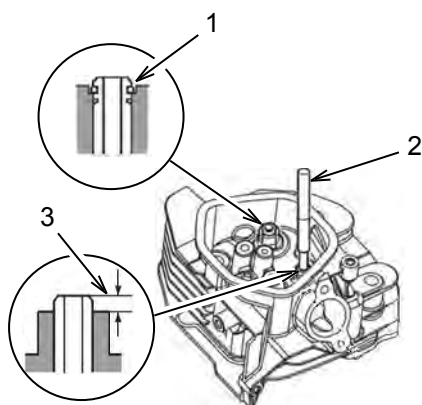
Vérifiez que l'alésoir est centré sur le guide de soupape. Enduisez l'alésoir et le guide de soupape d'huile de découpe. Faites tourner l'alésoir dans le sens horaire, sur toute sa longueur, à travers le guide de soupape. Continuez à le faire tourner dans le sens horaire pendant que vous le retirez du guide de soupape. Retirez tout dépôt de carbone et vérifiez le diamètre interne du guide de soupape. Le diamètre normal du guide de soupape est de 8,6 mm. Remplacez-le ou installez des inserts si ce diamètre est supérieur ou égal à 9,021 mm.



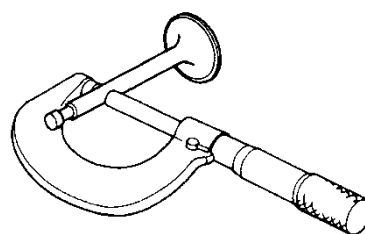
Vérifiez l'alésage du guide de soupape. Insérez la soupape et vérifiez qu'elle bouge facilement à travers l'orifice sans aucune oscillation. La figure 1 illustre un bon guide de soupape. La figure 2 illustre un guide anormalement usé qui entraîne l'oscillation de la soupape. À terme, la culasse peut se briser et tomber dans la chambre de combustion, endommageant le moteur. Ce guide de soupape doit être alésé ou remplacé. La figure 3 illustre un guide de soupape dont l'orifice n'est pas centré. Ce guide de soupape doit être remplacé.

Guides de soupape – Remplacement :

Placez les nouveaux guides de soupape dans le compartiment congélateur de votre réfrigérateur pendant une heure. Utilisez un entraîneur de guide de soupape pour faire sortir les anciens guides de soupape. Veillez à ne pas endommager la culasse lors de cette manipulation.



Installez les nouveaux guides de soupape du côté du ressort de soupape de la culasse. Utilisez l'entraîneur de guide de soupape (2) pour faire entrer le guide de soupape d'échappement jusqu'à ce que la pince soit entièrement installée (1). Enfoncez le guide de soupape d'admission jusqu'à ce que sa partie supérieure ne dépasse la culasse que de 1 mm (3). Après l'installation, vérifiez toute trace de dommages sur chaque valve. Le cas échéant, répétez le processus de retrait et d'installation en utilisant un nouveau guide de soupape.



Utilisez un micromètre pour mesurer le diamètre externe de la tige de la soupape. Reportez-vous au tableau suivant.

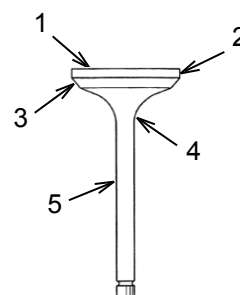
Modèle :	Soupape :	Normal :	Minimum :
INV2000	Admission :	3,96 mm	3,87 mm
	Échappement :	3,93 mm	3,835 mm

Remplacez la soupape si son diamètre est inférieur ou égal au minimum requis.

Soustrayez le diamètre de la tige de soupape à celui de l'alésage interne du guide de soupape pour calculer le jeu entre la tige et le guide. Si le jeu dépasse le maximum illustré dans le tableau suivant, déterminez si la meilleure option pour que ce jeu redescende dans l'intervalle accepté est un nouveau guide ou une nouvelle soupape.

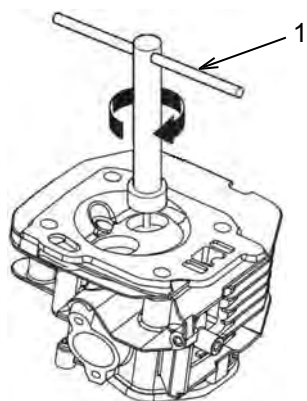
Soupape :	Normal :	Maximum :
Admission :	0,015 à 0,042 mm	0,30 mm
Échappement :	0,050 à 0,077 mm	0,30 mm

Soupapes :

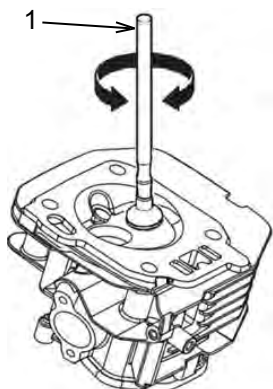


Vérifiez si les soupapes sont usées. Vérifiez si la culasse (1), le bord de la soupape (2) et le collet de la soupape (3) sont endommagés ou comportent des surfaces brûlées. Vérifiez si le col de la soupape (4) est anormalement usé. Vérifiez si la tige de soupape (5) comporte des usures, des rayures ou des courbures. En cas de dommage, remplacez la soupape.

Retirez tout dépôt de carbone des sièges de soupape. Utilisez une jauge d'excentricité pour mesurer la concentricité du siège. Éventuellement, appliquez une fine couche d'enduit à marquer sur le collet de la soupape, puis insérez cette dernière dans la culasse. Appuyez fermement sur la soupape, puis retirez-la. Vérifiez la présence de traces de peinture indiquant que le siège de soupape n'est pas concentrique. Retirez l'enduit à marquer de toutes les surfaces.

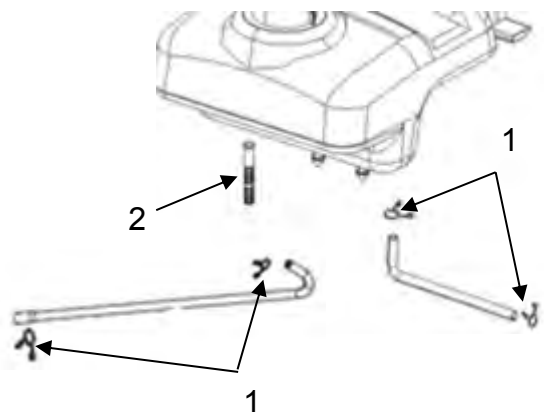


Si l'enduit à marquer montre que le siège de soupape n'est pas concentrique, utilisez une lame de découpe pour siège de soupape à 45° (1) pour créer un siège lisse et concentrique. Faites toujours tourner la lame de découpe dans le sens horaire. Utilisez une lame de découpe pour siège de soupape à 45° et une autre à 32° pour ajuster le siège de soupape afin qu'il soit en contact avec le centre du collet de la soupape. La lame de découpe pour siège de soupape à 32° retire du matériau sur le sommet du siège. Celle pour siège de soupape à 45° retire du matériau de la partie inférieure du siège. Assurez-vous que la surface de contact entre la soupape et le siège est d'une largeur comprise entre 3,3 et 3,7 mm à la fin du processus. Pour terminer la procédure, effectuez un passage léger avec la lame de découpe pour siège de soupape à 45° pour retirer toute bavure possible sur le bord du siège. Lorsque vous avez fini, utilisez un enduit à marquer pour vérifier la concentricité. Vérifiez que le contact autour de la soupape est parfait de tous les côtés.



Appliquez une poudre abrasive de rodage sur le collet de soupape et insérez la soupape dans la culasse. Utilisez un rodoir (1) pour lisser la surface de la soupape et du siège. Retirez toute trace restante de poudre abrasive avant d'assembler la culasse. Vérifiez que les tiges de culbuteur sont fermement installées dans les poussoirs. Après l'assemblage, suivez les sections Jeu des soupapes du moteur – Réglage et Pression du cylindre – Vérification des procédures pour garantir un assemblage correct.

Conduite d'alimentation en carburant et filtre à carburant – Remplacement



Vidangez le réservoir de carburant dans un récipient adapté. Démarrez le moteur et laissez-le tourner jusqu'à ce qu'il soit à court de carburant. Placez le commutateur du générateur sur la position « O » (désactivé).

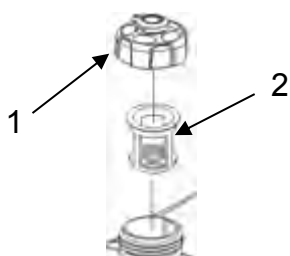
Retirez le panneau latéral (du côté des portes d'accès de service) en retirant les deux boulons, en soulevant le panneau et en l'écartant (attention à ne pas casser les languettes de positionnement). Le réservoir de carburant ne doit pas être retiré lors du remplacement de la conduite d'alimentation en carburant. Déplacez les colliers (1) vers le centre de la conduite d'alimentation en carburant.

Retirez la conduite d'alimentation en carburant du filtre à carburant (2). Retirez le filtre à carburant. Essuyez la surface de montage avec un chiffon propre et installez un nouveau filtre à carburant. Resserrez le filtre à carburant.

Retirez la conduite d'alimentation en carburant de l'arrière du commutateur du générateur et du carburateur.

Inspectez les colliers. Si les colliers sont endommagés, jetez-les et remplacez-les par des nouveaux. Placez les deux colliers près du centre de chaque nouvelle conduite d'alimentation en carburant avant d'installer celle-ci. Placez les colliers de façon à ce qu'ils maintiennent solidement la conduite d'alimentation en carburant.

Bouchon et filtre du réservoir de carburant – Nettoyage



Essuyez le bouchon du réservoir de carburant (1) et la zone qui l'entoure avant de le retirer. Le fait d'essuyer le bouchon du réservoir de carburant et la zone qui l'entoure avant de le retirer permet de réduire la quantité de contaminants pouvant se retrouver dans le système de carburant.

Vérifiez le bouchon du réservoir de carburant. Assurez-vous que la soupape d'évacuation sous vide bouge facilement. Si la soupape d'évacuation sous vide ne bouge pas facilement, remplacez le bouchon du réservoir.

Si une accumulation de débris est présente dans le filtre à carburant (2), retirez le filtre et rincez-le. Laissez le filtre sécher avant de l'installer. Si le filtre est endommagé, remplacez-le.

Générateur – Inspection

Une fois par mois, démarrez le moteur et laissez-le tourner jusqu'à ce qu'il atteigne une température de fonctionnement normale (environ 10 minutes). Branchez un appareil électrique câblé et allumez-le pour vérifier que le générateur fournit de l'électricité. Après avoir vérifié que le générateur fournit de l'électricité, éteignez l'appareil et débranchez-le. Éteignez ensuite le générateur.

Trousse de haute altitude

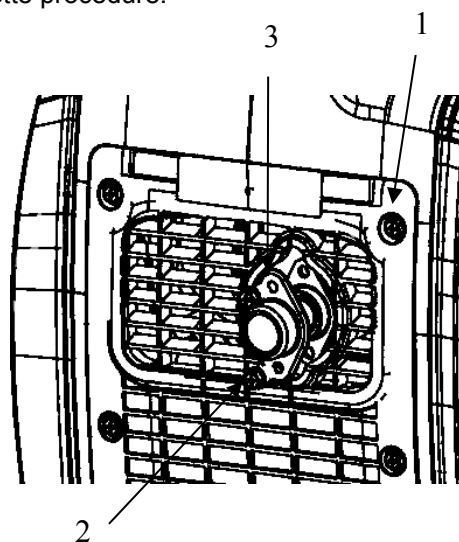
À des altitudes plus élevées, le mélange air/carburant standard est trop riche et peut provoquer une baisse des performances ainsi qu'une augmentation de la consommation de carburant. Un mélange trop riche peut également salir la bougie d'allumage et rendre le démarrage difficile. L'utilisation prolongée à de hautes altitudes peut provoquer une hausse des émissions.

L'installation d'une trousse de haute altitude lorsque nécessaire permet d'assurer un bon fonctionnement. Une trousse de haute altitude comporte un gicleur principal de carburant de diamètre plus petit ainsi qu'un réglage de la vis pilote. Consultez la section Carburateur – Inspection/Réglage pour connaître les instructions de remplacement du gicleur principal de carburant.

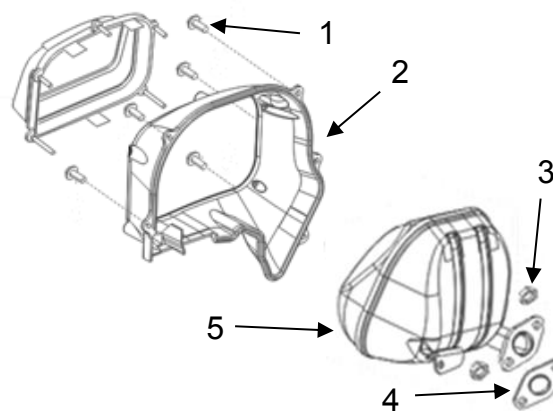
Remarques : À des altitudes supérieures à 8 000 pieds (2 400 m) au-dessus du niveau de la mer, le moteur peut subir une baisse de performances même si une trousse de haute altitude est installée.

Silencieux – Inspection/Remplacement

Laissez l'unité refroidir avant d'effectuer cette procédure.



Retirez les deux panneaux latéraux en retirant les deux boulons de chaque côté, en soulevant les panneaux et en les écartant (attention à ne pas casser les languettes de positionnement). Retirez les six boulons (1) du couvercle du silencieux et retirez le couvercle en le soulevant.



Dévissez les quatre boulons (1) pour retirer la protection (2) et le couvercle de silencieux en les soulevant. Retirez les écrous (3) de l'échappement. Soulevez le silencieux (5) et jetez les joints usés (4). Vérifiez l'absence de fissures et essuyez les débris avec une brosse métallique. Réinstallez en suivant l'ordre inverse et en utilisant un nouveau joint (4). Pour l'entretien du pare-étincelles, consultez la section Pare-étincelles – Inspection/Nettoyage/Remplacement.

Bougie – Vérification



Risque d'électrocution ou de choc électrique : N'utilisez pas ce générateur et ne travaillez pas dessus avant d'avoir lu et compris l'ensemble des instructions et des avertissements fournis dans le manuel d'utilisation. Le non-respect des instructions ou des avertissements peut provoquer de graves blessures pouvant entraîner la mort.

Vérifiez que vos mains sont sèches et que vous n'êtes pas relié à la terre.

Pour diminuer le risque de feu instantané, vérifiez qu'il n'y a pas de carburant à proximité. Tournez le commutateur du générateur en position « O » et vidangez le carburant du carburateur.

- Retirez la coiffe de la bougie d'allumage, puis retirez la bougie d'allumage.
- Tirez deux ou trois fois sur la poignée du démarreur manuel pour vidanger le carburant du cylindre.
- Remettez le couvercle sur la bougie d'allumage.
- Tournez le commutateur du générateur en position « I » (activé).
- Tenez la bougie d'allumage par la coiffe et placez délicatement la partie filetée contre la culasse.
- Tirez la poignée du démarreur manuel et vérifiez si une étincelle se produit.
- Si l'étincelle est faible ou s'il n'y a pas d'étincelle, consultez la section Bougie d'allumage – Inspection/Réglage/Remplacement.

Pare-étincelles – Inspection/Nettoyage/Remplacement

Cette unité dispose d'un pare-étincelles fixé à la sortie d'échappement du silencieux. Le pare-étincelles doit être nettoyé avec une brosse métallique douce toutes les 50 heures de fonctionnement ou tous les 3 mois. Le pare-étincelles doit être remplacé toutes les 100 heures de fonctionnement ou lorsqu'il est endommagé.

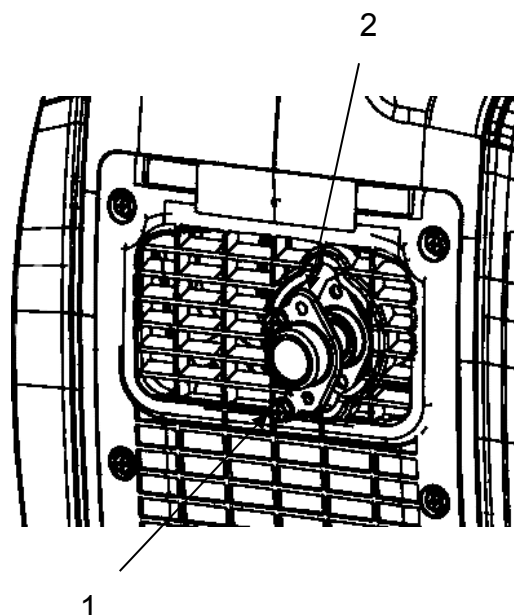


Surface chaude



Les pièces chaudes ou les composants chauds peuvent provoquer des brûlures ou des blessures corporelles. Évitez tout contact entre les pièces ou composants chauds et votre peau. Utilisez des vêtements de protection ou un équipement de protection pour protéger votre peau.

N'effectuez PAS cette procédure d'entretien avant que le silencieux ait eu le temps de refroidir.

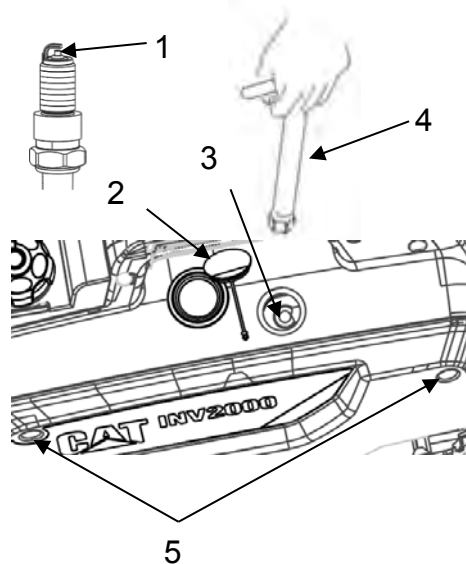


Retirez les vis (1). Retirez le pare-étincelles (2) et inspectez-le. Nettoyez-le soigneusement avec une brosse métallique douce. Si le pare-étincelles est endommagé, remplacez-le.

Pour installer le pare-étincelles, alignez les trous de fixation du pare-étincelles avec les trous de fixation du silencieux. Insérez les vis (1) et serrez-les fermement.

Bougie d'allumage – Inspection/Réglage/Remplacement

Consultez la section Caractéristiques du présent manuel afin de déterminer la référence de bougie d'allumage et l'écartement de bougie adaptés à votre produit.



1. N'effectuez PAS cette opération de maintenance lorsque le moteur est en marche.
2. Placez le commutateur du générateur sur la position « O » (désactivé).
3. Retirez les vis (5) pour enlever le panneau externe en le soulevant afin d'accéder au moteur.
4. Retirez le boîtier couvrant la bougie d'allumage, puis retirez le couvercle (2) de la bougie d'allumage en le tournant et en le tirant.
5. Utilisez la clé à bougie (4) ou une clé à cliquet et une douille pour bougie d'allumage pour retirer la bougie d'allumage (3).
6. Effectuez une vérification visuelle de la bougie afin de vérifier si elle est endommagée. Si l'isolant est craquelé, remplacez la bougie d'allumage. Si l'électrode est endommagée, remplacez la bougie d'allumage.
7. Mesurez l'écartement de la bougie (1) à l'aide d'une jauge d'épaisseur. Ajustez l'écartement en pliant délicatement l'électrode au besoin. Consultez les caractéristiques afin de connaître le bon écartement pour votre produit.
8. Vérifiez que la rondelle de la bougie est en bon état de fonctionnement. Si la rondelle est endommagée, remplacez-la.
9. Installez la bougie d'allumage et resserrez-la à 9 ± 2 lb pi ($12,5 \pm 2$ Nm). Ne serrez PAS trop, car cela peut endommager le moteur.
10. Remplacez la coiffe et le couvercle (2) de la bougie d'allumage, ainsi que le panneau externe.

Inspection visuelle

Avant de démarrer le moteur, effectuez une inspection visuelle de l'unité. Éléments à vérifier :

- Niveau d'huile correct
- Niveau de carburant correct
- Carburant de bonne qualité
- Fuites de liquide
- Pincés mal serrés
- Boulons mal serrés
- Conduit de carburant craquelé
- Câbles mal serrés ou effilochés
- Accumulation de débris

Vérifiez également que :

- La borne de terre est branchée de façon adéquate.

Enroulements – Test

Retirez le panneau latéral (du côté des portes d'accès de service) en retirant les deux boulons, en soulevant le panneau et en l'écartant (attention à ne pas casser les languettes de positionnement).

Retirez le couvercle du filtre à air et le logement pour faciliter l'accès au régulateur de l'onduleur, sous le silencieux du côté de gauche de l'unité.

Utilisez un ohmmètre ou un multimètre pour mesurer la résistance de l'enroulement. Placez l'outil de mesure sur les bornes de sortie de courant alternatif et mesurez toutes les combinaisons. La résistance doit être de $0,95 \Omega (\pm 10 \%)$ à 25°C dans l'enroulement principal (COM2-A : les bornes marron). Si la résistance est hors du seuil de tolérance, remplacez l'onduleur. Mesurez la résistance de chaque fil à la terre. La résistance doit être infinie. Si ce n'est pas le cas, remplacez l'onduleur. La résistance doit être de $0,43 \Omega (\pm 10 \%)$ à 25°C dans l'enroulement de commande (COM3-A : les bornes orange). La résistance doit être de $0,12 \Omega (\pm 10 \%)$ à 25°C dans l'enroulement CC (COM1-A : les bornes bleues).

ENTREPOSAGE

Lorsqu'un générateur est entreposé, de l'humidité due à une condensation de l'air peut apparaître sur les bobinages. Afin de réduire la condensation, entreposez toujours le générateur dans un espace sec. Couvrez le générateur avec une housse de protection s'étendant jusqu'au sol. La housse doit rester ample autour du générateur afin de permettre une bonne ventilation.

Entreposage de 1 à 3 mois

Retirez la saleté, la rouille, la graisse et l'huile du générateur. N'utilisez PAS de laveuse à pression pour nettoyer le générateur. Inspectez l'extérieur. Effectuez toutes les réparations nécessaires.

Ajoutez un stabilisateur de carburant dans le réservoir de carburant pour éviter la dégradation de l'essence. Démarrez le moteur et laissez-le tourner pendant 5 minutes pour que le stabilisateur de carburant soit aspiré par le carburateur. Éteignez le moteur et laissez-le refroidir.

Placez le commutateur du générateur sur la position « O » (désactivé).

Déplacez le générateur vers le site d'entreposage.

Couvrez le générateur.

Entreposage de plus de 3 mois

Retirez la saleté, la rouille, la graisse et l'huile du générateur. N'utilisez PAS de laveuse à pression pour nettoyer le générateur. Inspectez l'extérieur. Effectuez toutes les réparations nécessaires.



AVERTISSEMENT

L'essence est extrêmement inflammable et peut devenir explosive dans certaines conditions. Vérifiez que le moteur est arrêté et froid, puis vidangez le carburant dans une zone bien aérée. Ne fumez jamais et n'émettez aucune flamme nue ou étincelle à proximité pendant cette procédure.

Retirez le bouchon du réservoir et renversez le générateur pour verser l'essence dans un récipient adapté. Remplacez le bouchon du réservoir, puis démarrez et faites tourner le moteur jusqu'à ce qu'il s'arrête, afin de permettre la vidange du carburant présent dans les conduits de carburant, dans le carburateur et dans le moteur.

Changez l'huile moteur. Consultez la section Huile moteur – Changement.

Retirez la bougie d'allumage et versez une petite quantité d'huile dans le cylindre. Installez la bougie d'allumage, mais pas le boîtier de la bougie d'allumage.

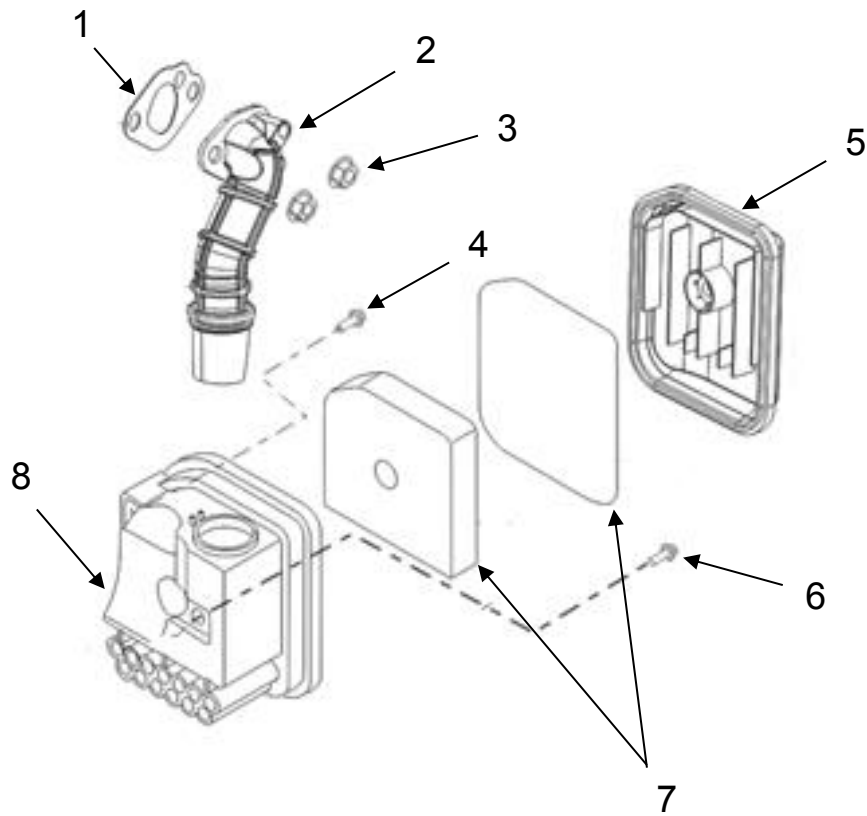
Placez le commutateur du générateur sur la position « O » (désactivé).

Déplacez le générateur vers le site d'entreposage.

Couvrez le générateur.

SCHÉMAS

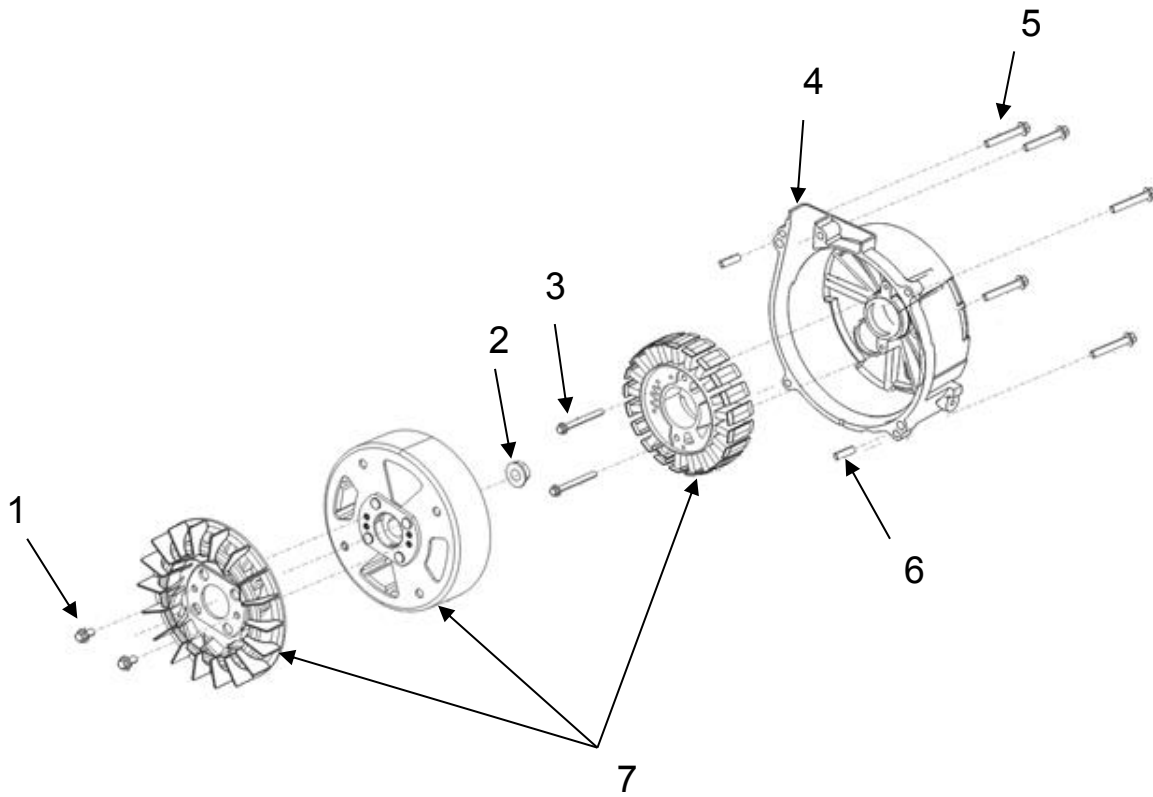
Logement du filtre à air



1. Joint
2. Admission du filtre à air
3. Écrou
4. Boulon

5. Couvercle du filtre à air
6. Boulon
7. Filtre à air
8. Corps du logement du filtre à air

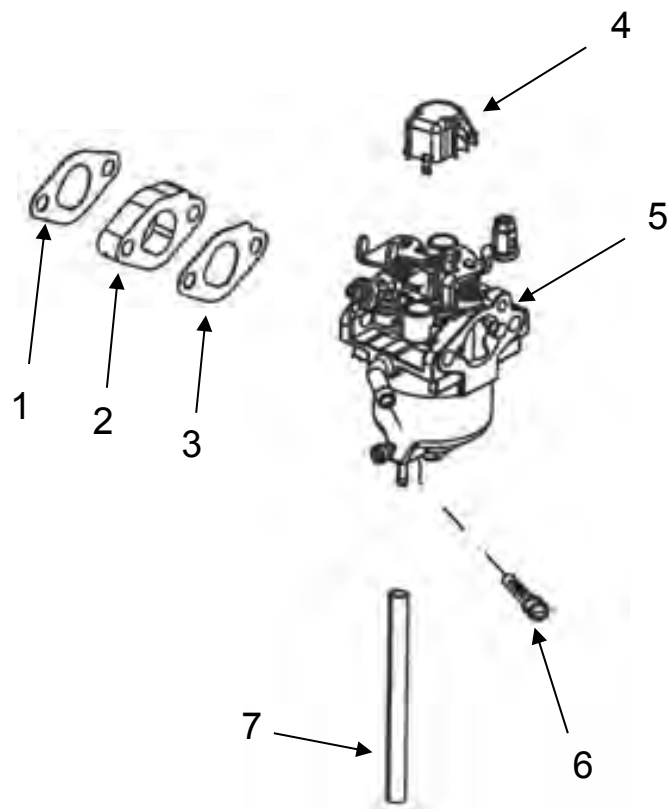
Alternateur



- 1. Boulon
- 2. Écrou
- 3. Boulon
- 4. Épaulement

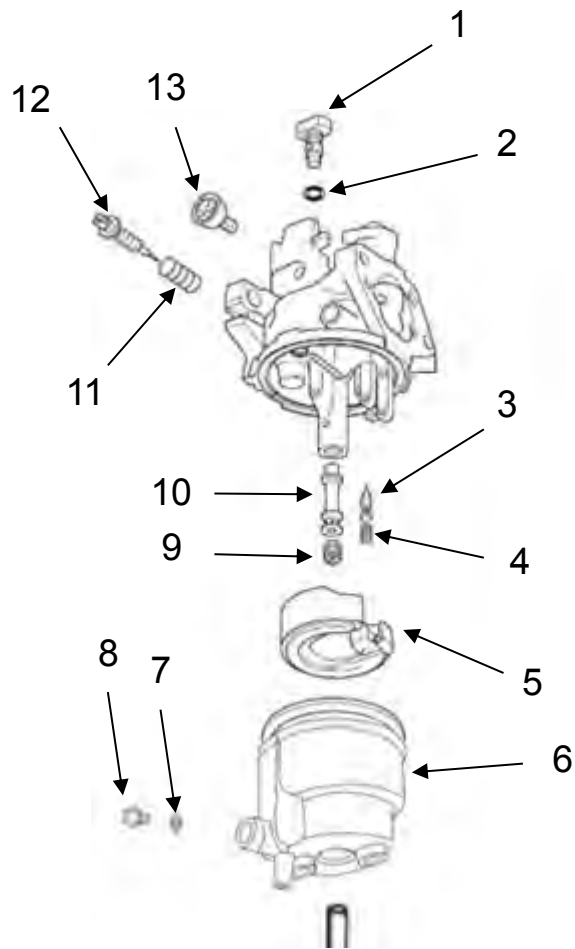
- 5. Boulon
- 6. Goupille
- 7. Alternateur

Carburateur



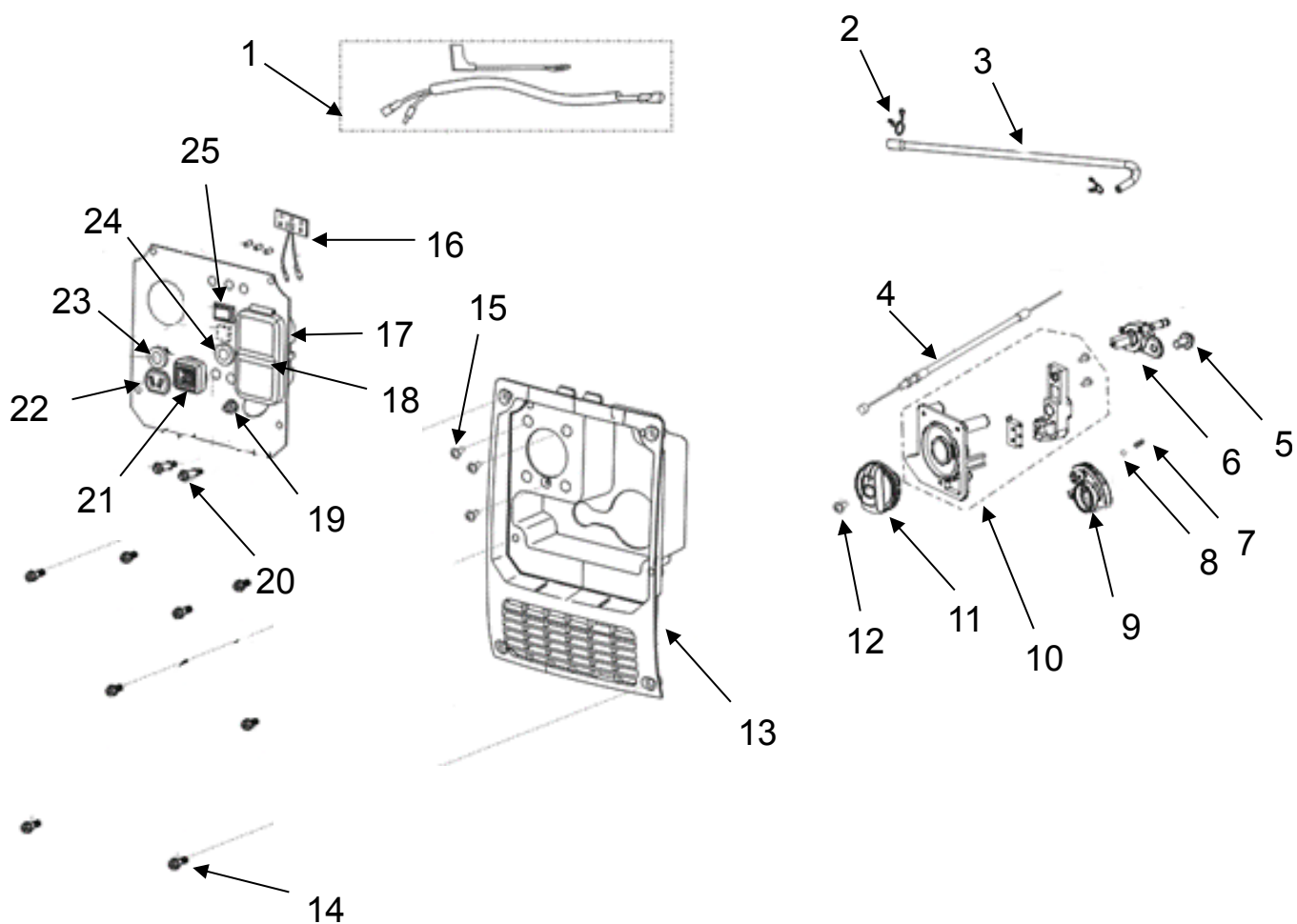
1. Joint du carburateur
2. Plaque d'isolation
3. Joint isolant
4. Bouchon du carburateur

5. Carburateur
6. Filtre à carburant
7. Conduite d'essence



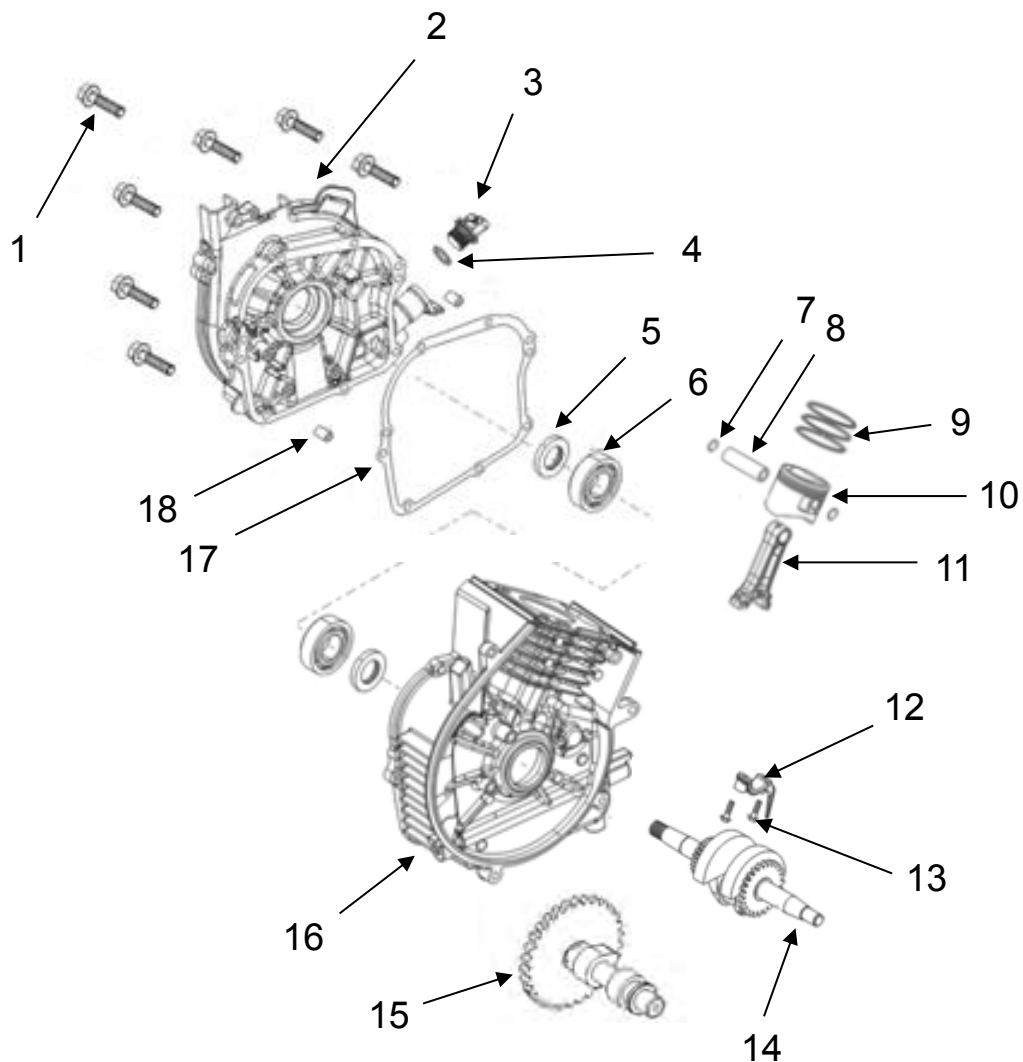
- | | |
|----------------------------|----------------------|
| 1. Gicleur pilote | 8. Boulon de vidange |
| 2. Joint d'étanchéité | 9. Gicleur principal |
| 3. Pointeau de carburateur | 10. Diffuseur |
| 4. Ressort du flotteur | 11. Ressort |
| 5. Flotteur | 12. Vis pilote |
| 6. Cuve à niveau constant | 13. Vis de ralenti |
| 7. Joint | |

Panneau de commande



- | | |
|---|--|
| 1. Faisceau du panneau de commande | 14. Boulon |
| 2. Collier de serrage | 15. Vis |
| 3. Conduite d'essence | 16. Indicateur |
| 4. Bielle de l'étrangleur | 17. Prise : 120 V c.a. GFCI (double) |
| 5. Boulon | 18. Protection imperméable |
| 6. Assise du commutateur du générateur | 19. Borne de mise à la terre |
| 7. Ressort | 20. Douille parallèle |
| 8. Bille en acier | 21. Prise – USB (double) |
| 9. Couvercle | 22. Prise – 12 VCC. 8,3 A |
| 10. Commutateur du générateur | 23. Disjoncteur |
| 11. Bouton du commutateur du générateur | 24. Disjoncteur |
| 12. Vis | 25. Commutateur de commande intelligente du moteur |
| 13. Logement du panneau de commande | |

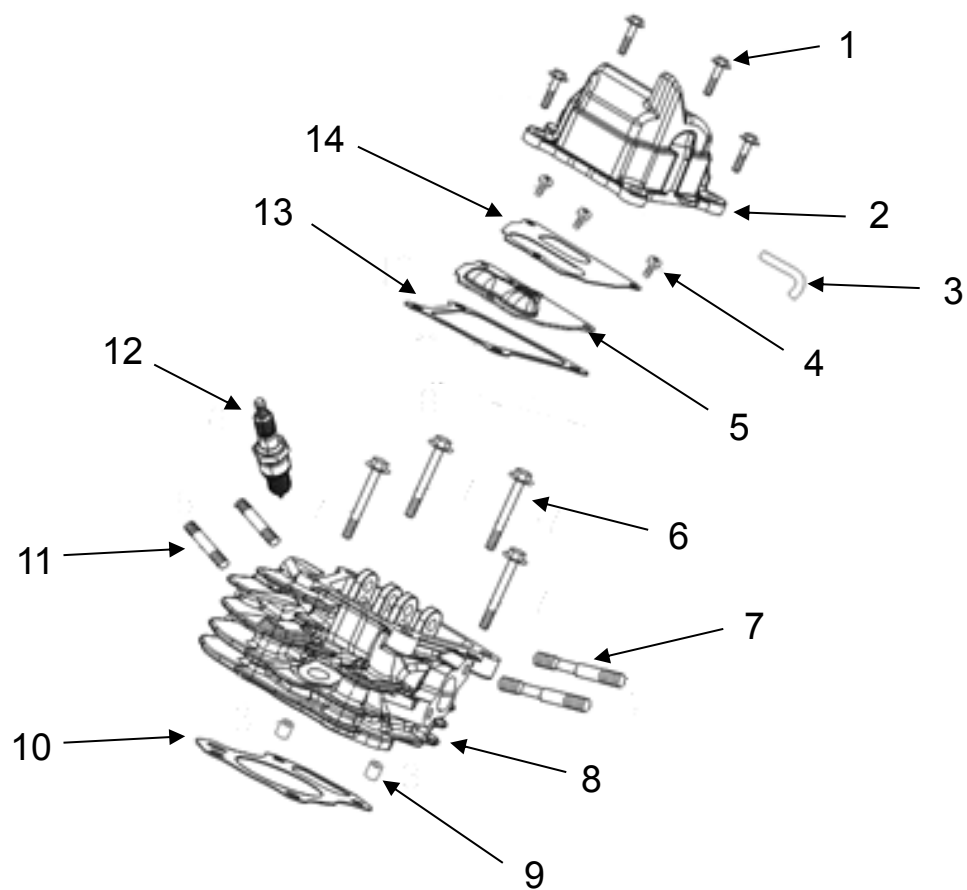
Carter moteur et piston



1. Boulon
2. Couvercle du carter moteur
3. Bouchon de vidange/remplissage de l'huile
4. Rondelle
5. Joint étanche à l'huile
6. Palier
7. Attache
8. Goupille
9. Segment de piston

10. Piston
11. Bielle
12. Chapeau de bielle
13. Boulon
14. Vilebrequin
15. Arbre à cames
16. Carter moteur
17. Joint du carter moteur
18. Goupille

Culasse de cylindre et soupapes



1. Boulon du couvre-culasse

2. Couver-culasse

3. Tube reniflard

4. Vis

5. Joint du reniflard

6. Boulon de culasse du cylindre

7. Goujon

8. Culasse

9. Goupille

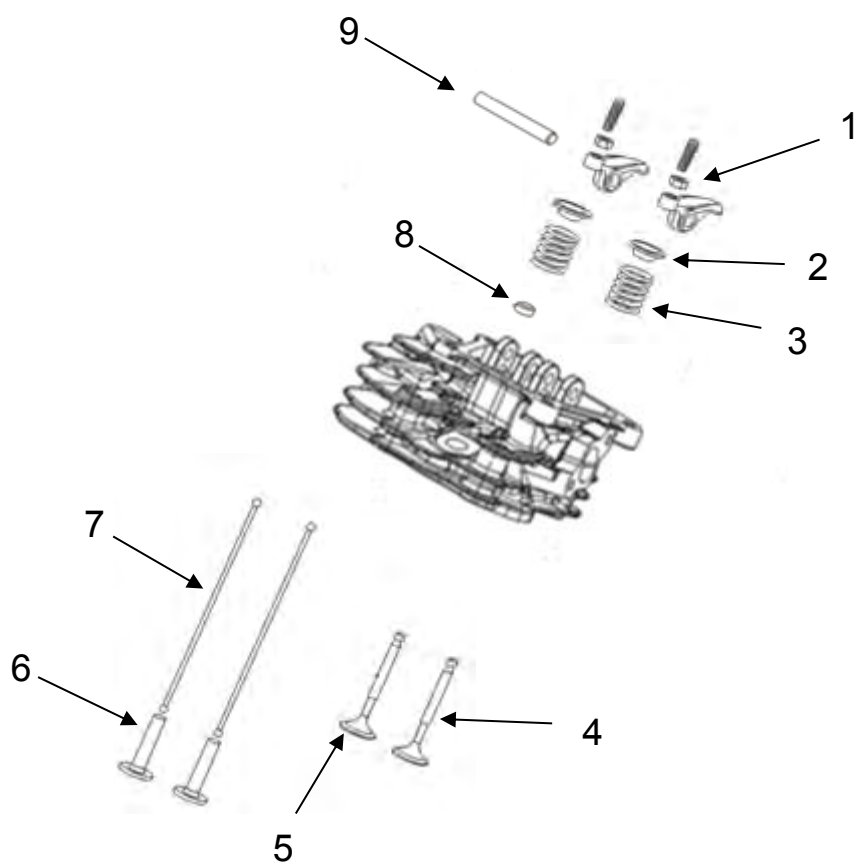
10. Joint de culasse de cylindre

11. Goujon

12. Bougie d'allumage

13. Joint du couvre-culasse

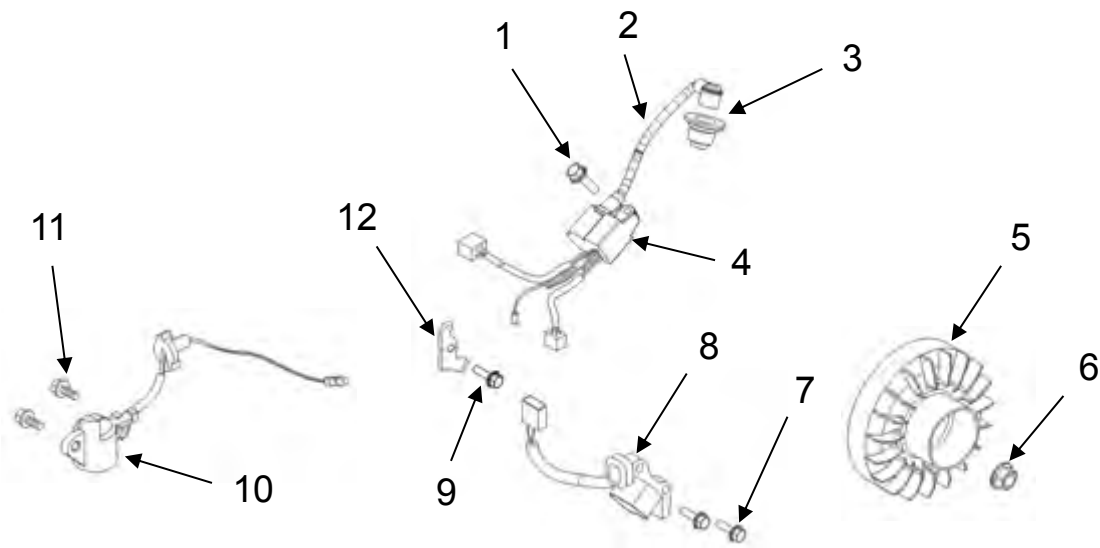
14. Reniflard



- 1. Assemblage du culbuteur
- 2. Bague d'arrêt
- 3. Ressort
- 4. Soupape d'admission
- 5. Soupape d'échappement

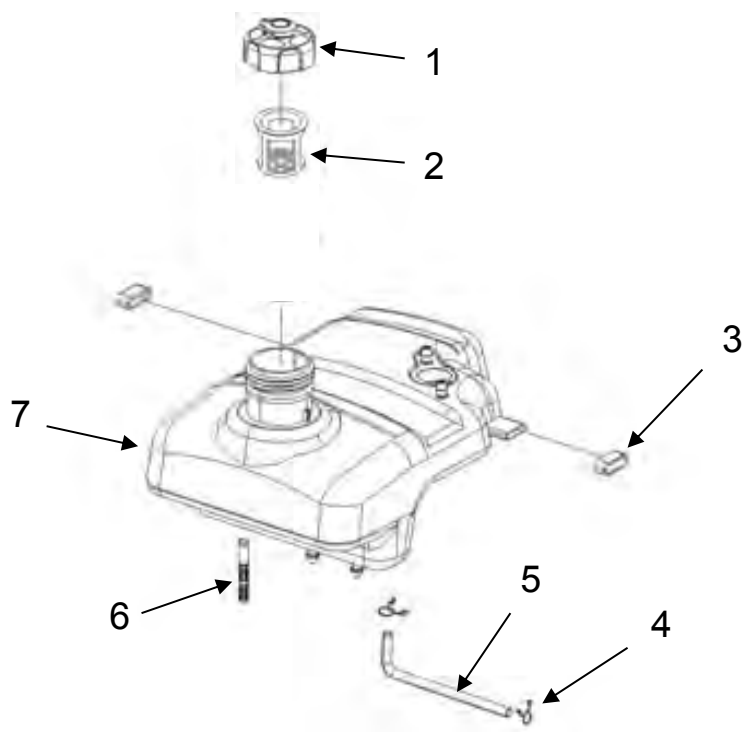
- 6. Poussoir
- 7. Bielle de poussée
- 8. Guide de joint
- 9. Tige du culbuteur de soupape

Volant d'inertie



- | | |
|-----------------------------------|-----------------------------------|
| 1. Boulon | 7. Boulon |
| 2. Câble de bougie | 8. Armature du système d'allumage |
| 3. Coiffe de la bougie d'allumage | 9. Boulon |
| 4. Bobine d'allumage | 10. Capteur d'huile |
| 5. Volant | 11. Boulon |
| 6. Écrou du volant | 12. Attache |

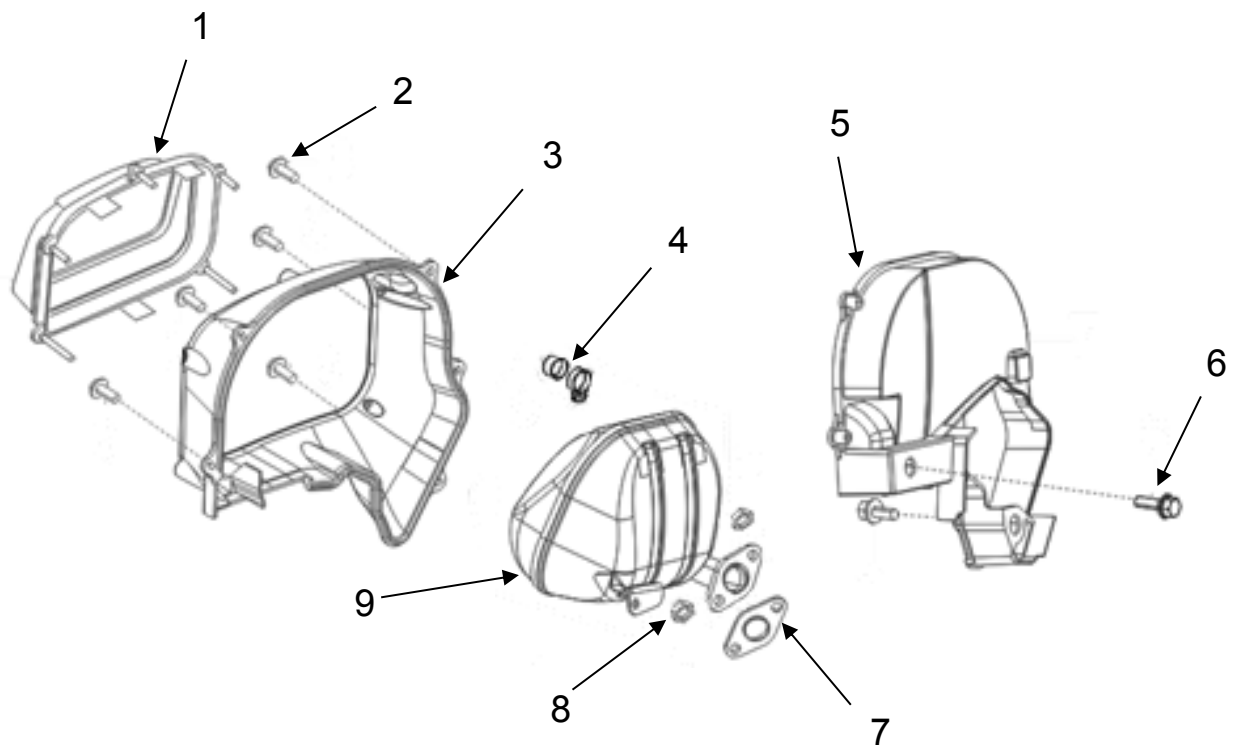
Réservoir de carburant



1. Bouchon du réservoir de carburant
2. Filtre à carburant
3. Bague
4. Collier de serrage

5. Conduite d'essence
6. Filtre à carburant
7. Réservoir de carburant

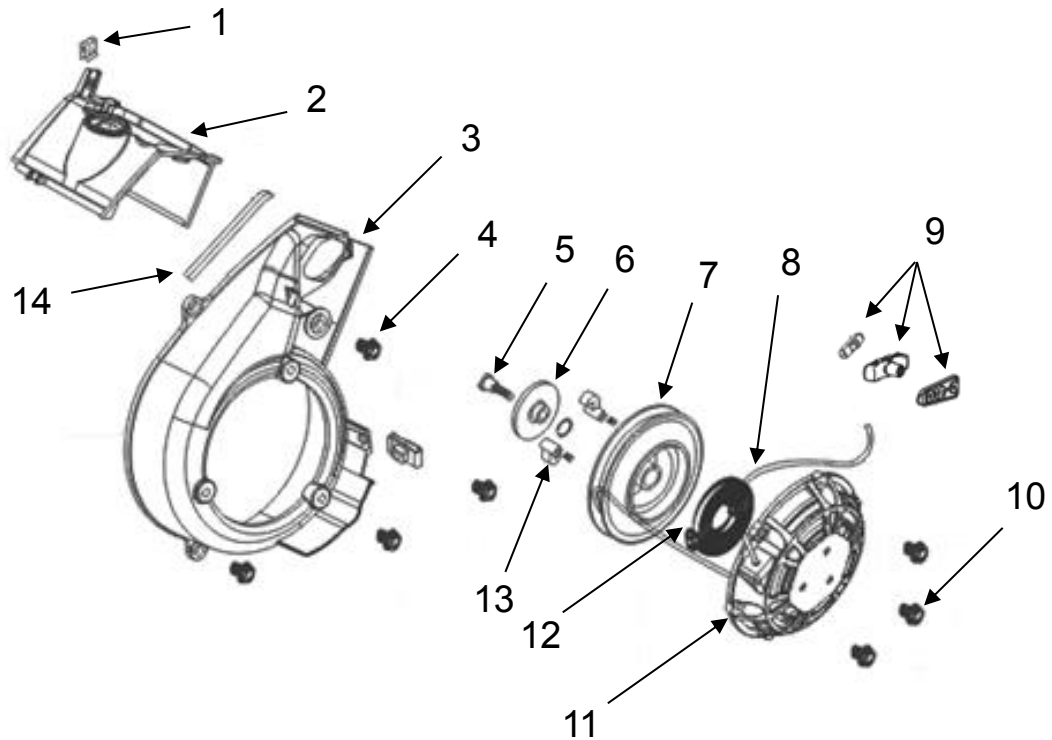
Silencieux



1. Couvercle latéral du silencieux
2. Vis
3. Protection du silencieux
4. Pare-étincelles
5. Bouclier du silencieux

6. Boulon
7. Joint d'échappement
8. Écrou
9. Silencieux

Démarrateur manuel



- | | |
|-------------------------------------|---|
| 1. Carte de contrôle | 9. Poignée |
| 2. Déflecteur d'air | 10. Boulon |
| 3. Épaulement | 11. Boîtier |
| 4. Boulon | 12. Ressort de démarreur |
| 5. Vis de blocage | 13. Ensemble cames
d'entraînement/ressorts de rappel |
| 6. Guide d'entraînement | 14. Ruban de joint de l'épaulement |
| 7. Poulie du démarreur manuel | |
| 8. Cordon à tirer pour le démarrage | |

DÉPANNAGE

Problème :	Cause possible :	Solution :	Vérification :
Le moteur ne démarre pas	Commutateur du générateur en position « O »	Tournez le commutateur du générateur dans la bonne position.	Démarrez le moteur
	Générateur en position renversée	Redressez le générateur.	
	Manque d'huile dans le moteur	Vérifiez le niveau d'huile. S'il est faible, ajoutez l'huile recommandée.	
	Filtre à air sale	Vérifiez le filtre à air. Nettoyez-le ou remplacez-le au besoin.	
	Huile dans la chambre de combustion	Retirez la bougie d'allumage, tournez le commutateur en position « O », tirez sur la poignée du démarreur manuel plusieurs fois pour éliminer l'huile de la chambre de combustion.	
	Pas de carburant	Remplissez le réservoir de carburant.	
	Carburant vieux ou sale	Videz et remplissez de nouveau si nécessaire.	
	Pas de carburant au niveau du carburateur	Vérifiez que le commutateur du générateur est en position « I ».	
		Vérifiez l'évacuation sous vide dans le bouchon du réservoir de carburant. En cas d'obstruction, nettoyez l'évacuation sous vide.	
	Manque de carburant dans le moteur	Veillez à ce que le pointeau soit bien fermé. Nettoyez-le ou remplacez-le au besoin.	
		Vérifiez l'injecteur de carburant. Nettoyez-le si nécessaire.	
		Inspectez le flotteur. Si le flotteur est endommagé ou coincé, réparez-le ou remplacez-le.	
	Moteur noyé	Patiencez 5 minutes.	
		Retirez et nettoyez la bougie d'allumage. Pompez le carburant ou laissez-le s'évaporer avant de réinstaller la bougie d'allumage.	
	Pas d'étincelle d'allumage	Inspectez la bougie d'allumage. Nettoyez-la, réglez son écartement ou remplacez-la, le cas échéant.	
		Inspectez le câble de la bougie d'allumage. Remplacez la pièce si elle est endommagée. Vérifiez la résistance. Si la résistance est hors du seuil de tolérance, remplacez le câble.	
		Vérifiez les câbles afin de vous assurer qu'aucun d'entre eux n'est court-circuité.	
	Pression du cylindre	Inspectez les boulons de culasse du cylindre afin de vous assurer qu'ils sont bien vissés à 40 ± 3 N m. Serrez-les, le cas échéant.	
		Vérifiez le jeu de la soupape et les sièges. Ajustez ou réparez au besoin.	
		Vérifiez le joint de la culasse de cylindre. Remplacez la pièce si elle est endommagée.	
Inspectez les surfaces de la culasse de cylindre et du bloc de culasse pour en vérifier la planéité. Réparez ou remplacez si elle est hors du seuil de tolérance.			
Si le moteur ne démarre toujours pas :		Remontez le moteur, remplacez-le ou pensez à remplacer l'appareil.	

Problème :	Cause possible :	Solution :	Vérification :
Le moteur démarre, mais tourne irrégulièrement ou n'a pas assez de puissance	Filtre à air sale	Vérifiez le filtre à air. Nettoyez-le ou remplacez-le au besoin	Démarrez le moteur. Vérifiez s'il fournit de la puissance ou s'il tourne mal
	Générateur en position renversée	Redressez le générateur.	
	Présence d'air dans la conduite de carburant ou conduite de carburant bouchée	Vérifiez la conduite de carburant. Videz-la ou remplacez-la au besoin.	
	Manque de carburant dans le moteur	Veillez à ce que le pointeau soit bien fermé. Nettoyez-le ou remplacez-le au besoin.	
		Vérifiez l'injecteur de carburant. Nettoyez-le si nécessaire.	
		Inspectez le flotteur. Si le flotteur est endommagé ou coincé, réparez-le ou remplacez-le.	
	Commutateur de commande intelligente du moteur activé	Désactivez le commutateur de commande intelligente du moteur.	
	Accumulation de carbone dans la chambre de combustion	Retirez la culasse de cylindre et nettoyez-la si besoin.	
	Pression du cylindre	Vérifiez le jeu de la soupape. Consultez le tableau des caractéristiques d'entretien pour connaître la valeur adéquate. Ajustez ou réparez au besoin.	
Vérifiez le joint de la culasse de cylindre. Remplacez la pièce si elle est endommagée.			
Si la puissance fournie par le moteur est toujours faible :	Remontez le moteur, remplacez-le ou pensez à remplacer l'appareil.		
Le moteur s'éteint	Plus de carburant	Vérifiez le niveau de carburant. Remplissez le réservoir de carburant si nécessaire.	Démarrez le moteur. Vérifiez qu'il s'arrête.
	Manque d'huile dans le moteur	Vérifiez le niveau d'huile. S'il est faible, ajoutez l'huile recommandée.	
	Filtre à air sale	Nettoyez le filtre à air.	
	Surcharge du générateur	Débranchez certains appareils.	
	Soupape d'évacuation sous vide en position « O » (désactivé)	Tournez la soupape d'évacuation sous vide en position « I » (activé).	
	Si le moteur continue à s'arrêter :	Remontez le moteur, remplacez-le ou pensez à remplacer l'appareil.	
Le moteur émet un son inhabituel	Cliquetis	Vérifiez la température du moteur. Si le moteur est trop chaud, consultez la section relative à la surchauffe.	Démarrez le moteur. Vérifiez qu'aucun son n'est inhabituel
		Vérifiez si le carburant utilisé est approprié et s'il a un bon indice. Videz et remplissez à nouveau le réservoir de carburant si besoin.	
		Vérifiez le jeu de la soupape. Consultez le tableau des caractéristiques d'entretien pour connaître la valeur adéquate. Ajustez ou réparez au besoin.	
		Vérifiez l'absence de dépôts de carbone dans le cylindre. Nettoyez-le si nécessaire.	
		Inspectez le piston et ses segments. Si le piston ou ses segments sont usés ou cassés, remplacez les pièces défectueuses.	
		Inspectez l'axe du piston et l'orifice de l'axe du piston. Remplacez la pièce si elle est usée.	
	Si le moteur émet toujours un son inhabituel :	Remontez le moteur, remplacez-le ou pensez à remplacer l'appareil.	

Problème :	Cause possible :	Solution :	Vérification :
Surchauffe du moteur	Niveau d'huile bas	Vérifiez l'huile. Rajoutez de l'huile ou changez-la, le cas échéant.	Démarez le moteur et attendez qu'il atteigne sa température de fonctionnement. Vérifiez la température.
	Tuyau d'échappement bouché	Vérifiez l'échappement. S'il est bouché, débouchez-le.	
	Présence de débris dans les ailettes de refroidissement	Retirez les débris.	
	Cylindre, piston ou segments de piston usés	Inspectez le cylindre, le piston et les segments de piston. Remplacez la pièce, au besoin.	
	Bielle déformée	Inspectez la bielle. Remplacez la pièce, au besoin.	
	Si le moteur est toujours en surchauffe :	Remontez le moteur, remplacez-le ou pensez à remplacer l'appareil.	
Le moteur fonctionne, mais le générateur fournit peu ou pas de puissance	Surcharge du générateur, le voyant de surcharge s'allume	Arrêtez et débranchez tous les appareils électriques, arrêtez le moteur, patientez pendant 10 à 15 minutes, puis redémarrez le moteur, branchez moins d'appareils électriques ou des appareils de charges inférieures.	Démarez le moteur et vérifiez la tension de sortie
	Le disjoncteur s'est déclenché	Réenclenchez le disjoncteur.	
	Mauvais branchement	Arrêtez le moteur et vérifiez les branchements.	
	Cordon d'alimentation défectueux	Remplacez le cordon.	
	Un appareil défectueux est branché	Débranchez l'appareil défectueux.	
	Commande de l'onduleur mal raccordée ou défectueuse	Vérifiez les tensions et les branchements. Serrez toutes les connexions desserrées. Remplacez la commande de l'onduleur.	
	Mauvais contact au niveau du stator ou du rotor principal	Vérifiez les contacts. Serrez ou remplacez au besoin.	
	Mauvais contact au niveau du panneau, du compteur ou de la douille		
	Commutateur de commande intelligente du moteur activé	Désactivez le commutateur de commande intelligente du moteur.	
	Enroulement ou branchement d'enroulement défectueux	Vérifiez chaque enroulement. Vérifiez les branchements à la terre. Serrez toutes les connexions desserrées et remplacez toutes les pièces défectueuses.	
Si l'appareil fournit toujours peu ou pas de puissance :	Remontez ou remplacez le générateur, ou pensez à remplacer l'appareil.		

ANNEXE

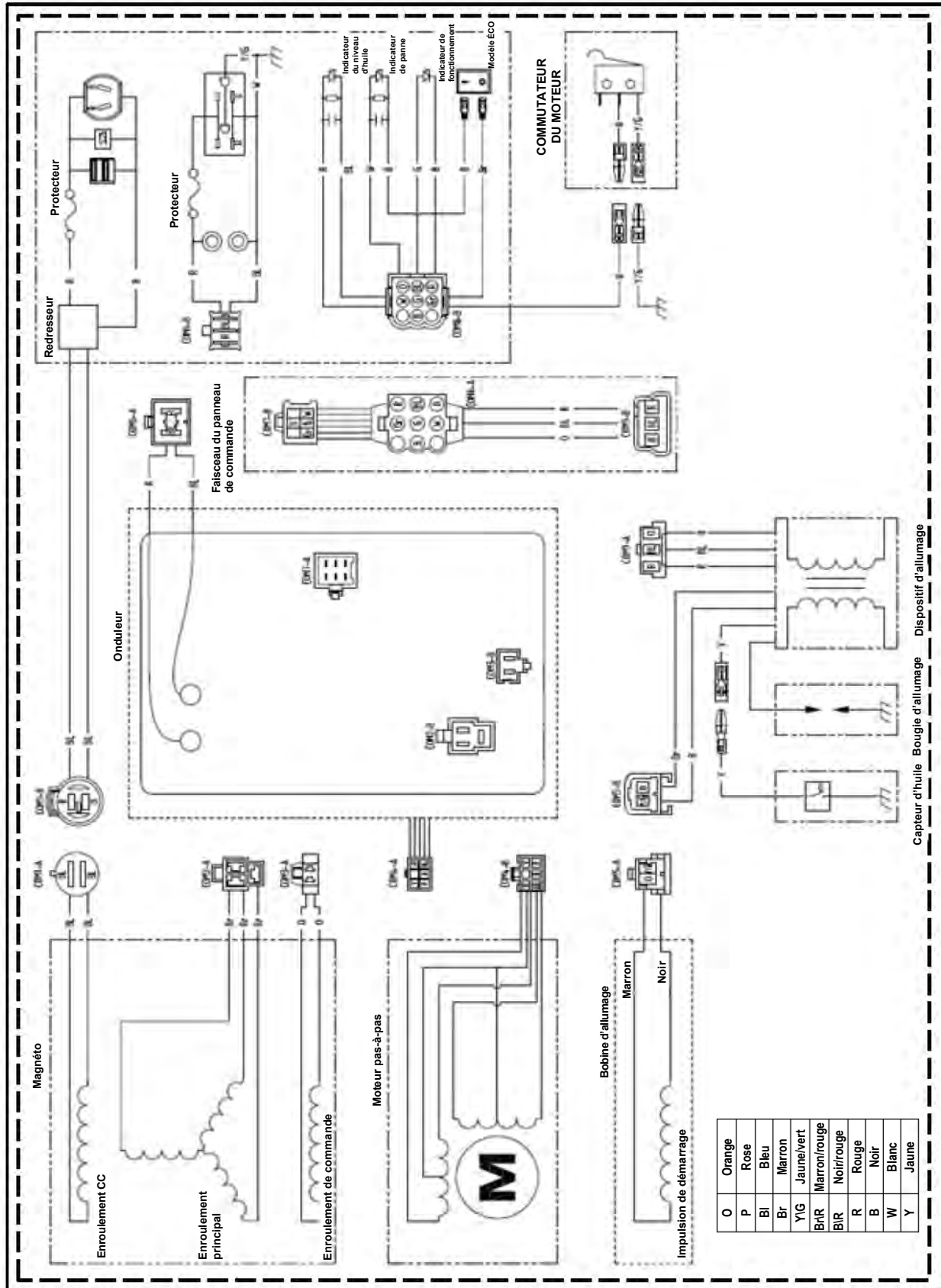
Caractéristiques du produit

Moteur	Type de moteur	Cylindre unique, 4 temps, refroidissement par air forcé
	Cylindrée (cc)	80
	Système d'allumage	Électronique
	Écartement de la bougie d'allumage	0,024 à 0,028 po (0,6 à 0,7 mm)
	Volume de carburant	1 gallon américain (3,8 L)
	Consommation de carburant (g/(kWh))	≤450
	Temps de fonctionnement (h) avec charge continue 100 %	3,5
	Temps de fonctionnement (h) avec charge continue 50 %	6
	Capacité en huile	0,40 quart (0,38 L)
Générateur	Sortie nominale (CC)	12 V 8,3 A
	Fréquence nominale (Hz)	60
	Tension nominale (V)	120
	Puissance de sortie nominale (kW)	1,8
	Puissance de sortie en pic de surtension (kW)	2
	Phase	Monophasé
	Distorsion harmonique totale	< 3%

Caractéristiques d'entretien

Article	Caractéristique	Limite d'utilisation
Vitesse maximale (sans charge)	4 650 tr/min	-
Compression (à 1 400 tr/min)	0,95 à 1,25 MPa	< 0,95 MPa
Diamètre extérieur de l'alésage du cylindre	48,6 mm	48,655 mm
Planéité du protecteur de la culasse de cylindre	-	0,10 mm
Diamètre extérieur de la jupe de piston	48,57 à 48,59 mm	48,47 mm
Dégagement du piston au cylindre	0,010 à 0,045 mm	0,135 mm
Diamètre extérieur de l'alésage de l'axe du piston	11,002 à 11,01 mm	11,02 mm
Diamètre extérieur de l'axe du piston	10,994 à 11,00 mm	10,984 mm
Dégagement de l'alésage à l'orifice de l'axe	0,002 à 0,016 mm	0,02 mm
Dégagement latéral du segment de piston	0,015 à 0,05 mm	0,09 mm
Coupe du segment de piston	0,15 à 0,30 mm	0,60 mm
Coupe du segment racleur du piston	0,20 à 0,70 mm	1,0 mm
Largeur du segment de piston	0,97 à 0,99 mm	0,92 mm
Largeur du segment racleur de piston	0,385 à 0,425 mm	0,355 mm
Diamètre intérieur des extrémités de bielle du piston	11,006 à 11,017 mm	11,05 mm
Diamètre intérieur des extrémités de bielle du bras de manivelle	22,0 à 22,013 mm	22,04 mm
Espace de lubrification	0,020 à 0,043 mm	0,20 mm
Dégagement latéral de l'extrémité du bras de manivelle	0,35 à 0,85 mm	1,1 mm
Diamètre extérieur de l'axe du vilebrequin	21,97 à 21,98 mm	21,87 mm
Dégagement de la soupape d'admission	0,05 ± 0,02 mm	0,10 mm
Dégagement de la soupape d'échappement	0,05 ± 0,02 mm	0,10 mm
Diamètre extérieur du corps de soupape d'admission	3,97 à 3,985 mm	3,87 mm
Diamètre extérieur du corps de soupape d'échappement	3,935 à 3,95 mm	3,835 mm
Diamètre intérieur du guide de soupape	8,2 à 9 mm	9,021 mm
Dégagement de la tige de soupape d'admission	0,015 à 0,042 mm	0,30 mm
Dégagement de la tige de soupape d'échappement	0,050 à 0,077 mm	0,30 mm
Largeur de la protection contre les éclaboussures	3,3 à 3,6 mm	3,7 mm
Longueur libre du ressort de soupape	28,5 mm	25,5 mm
Lobe d'admission de l'arbre à cames	20,54 mm	20,34 mm
Lobe d'échappement de l'arbre à cames	20,54 mm	20,34 mm
Diamètre extérieur du journal de l'arbre à cames	15,95 à 16,05 mm	15,85 mm
Diamètre intérieur du support de l'arbre à cames	15,95 à 16,05 mm	15,85 mm
Gicleur principal du carburateur	0,67 mm	-
Écartement de la bougie d'allumage	0,60 à 0,80 mm	-
Résistance du câble de la bougie d'allumage	3,0 à 12,0 kΩ	-
Résistance de la bobine d'allumage primaire	-	-
Résistance de la bobine d'allumage secondaire	3,5 kΩ	-
Entrefer de la bobine d'allumage	0,35 à 0,65 mm	-
Résistance de l'enroulement du stator	0,95 Ω ± 10 % à 25 °C	-
Résistance de l'enroulement auxiliaire du stator	0,43 Ω ± 10 % à 25 °C	-
Enroulements CC	0,12 Ω ± 10 % à 25 °C	-

Schéma électrique



O	Orange
P	Rose
Bl	Bleu
Br	Marron
Y/G	Jaune/vert
Br/R	Marron/rouge
Bl/R	Noir/rouge
R	Rouge
B	Noir
W	Blanc
Y	Jaune



©2017 Caterpillar
Tous droits réservés

CAT, CATERPILLAR, leurs logos respectifs, la couleur jaune Caterpillar, la présentation commerciale POWER EDGE ainsi que toutes les identifications de l'entreprise et des produits utilisés dans le présent document sont des marques de commerce de Caterpillar et ne peuvent pas être utilisés sans autorisation.