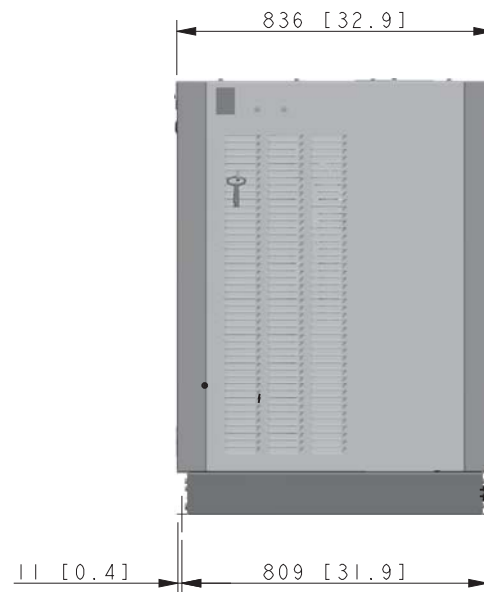
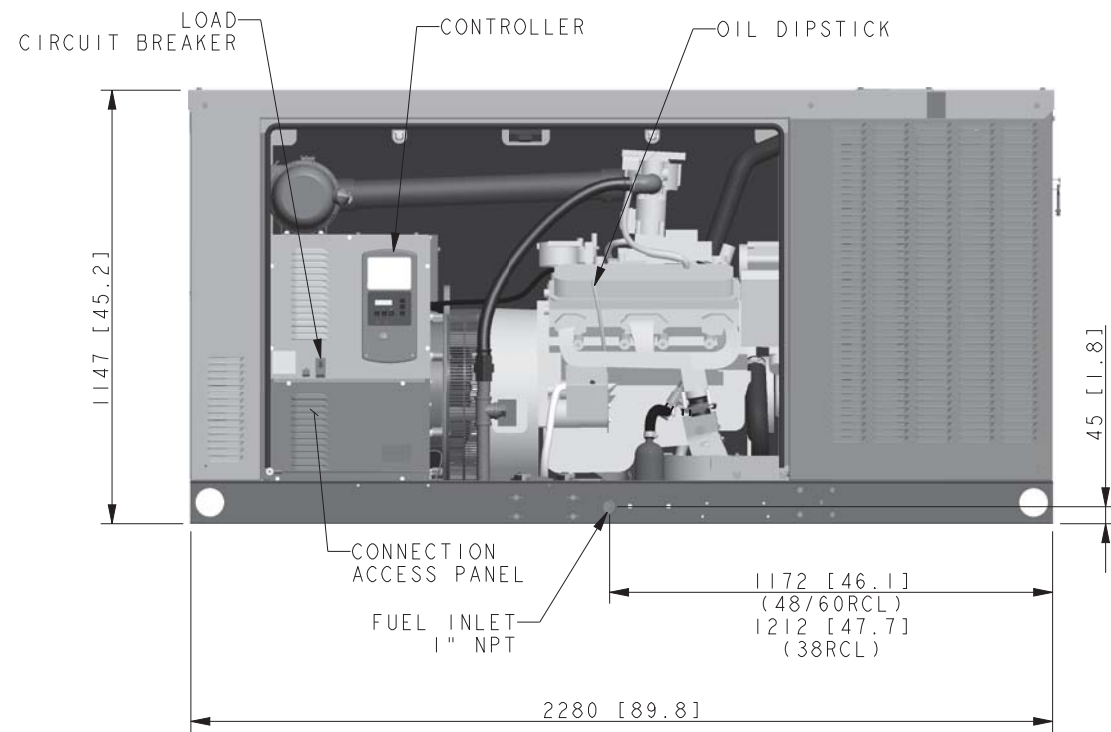
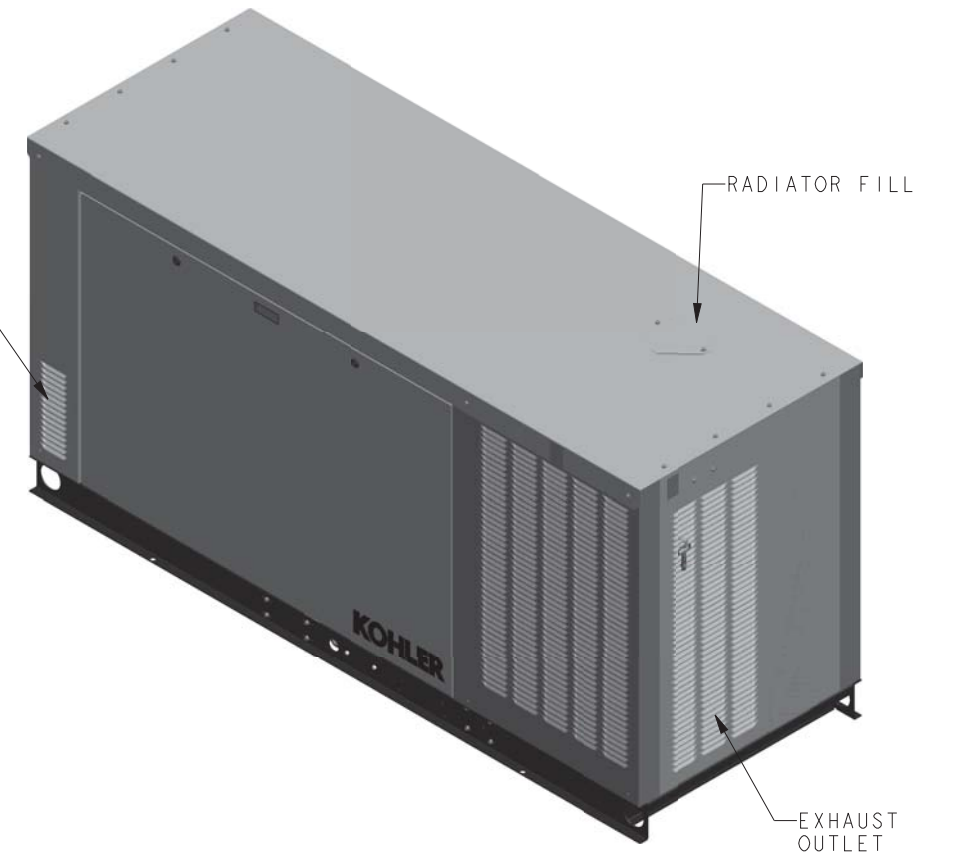
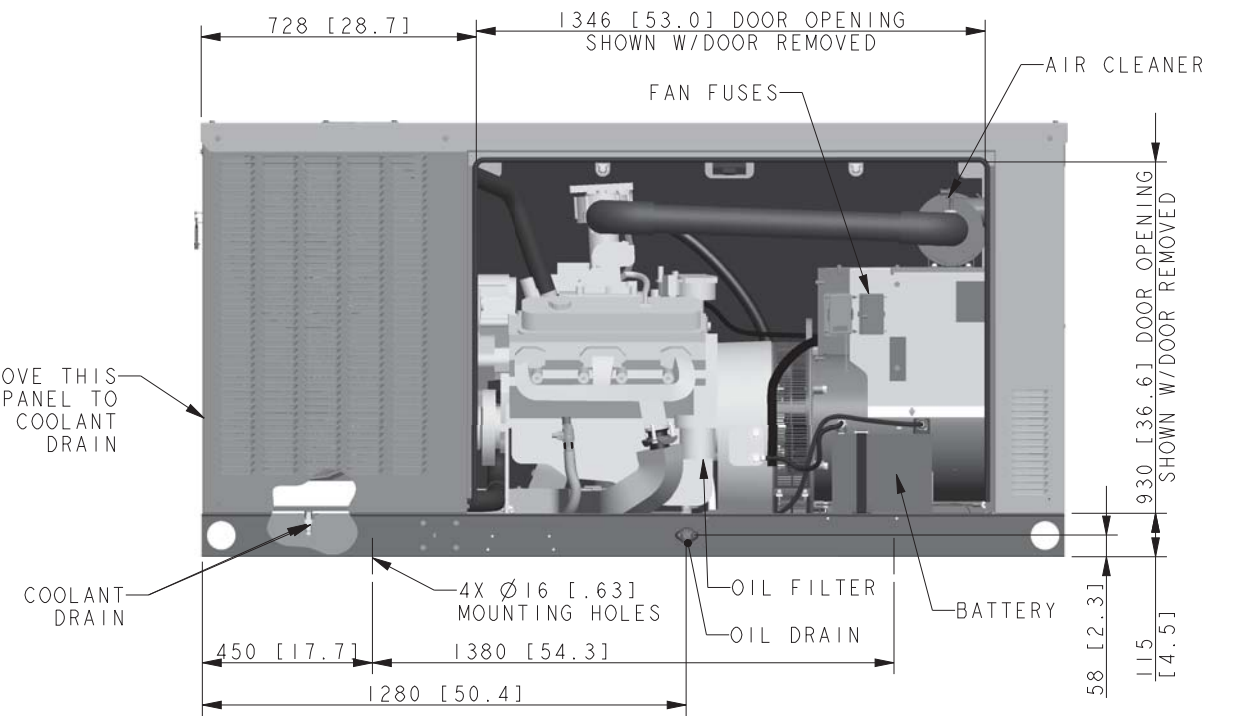


ENGINE AND ALTERNATOR AIR INLET LOUVERS, SHOWN HERE AND ON BACK SIDE.



REMOVE THIS PANEL TO ACCESS COOLANT DRAIN



NOTE: DIMENSIONS IN [] ARE ENGLISH STANDARD EQUIVALENTS

38/48/60RCL

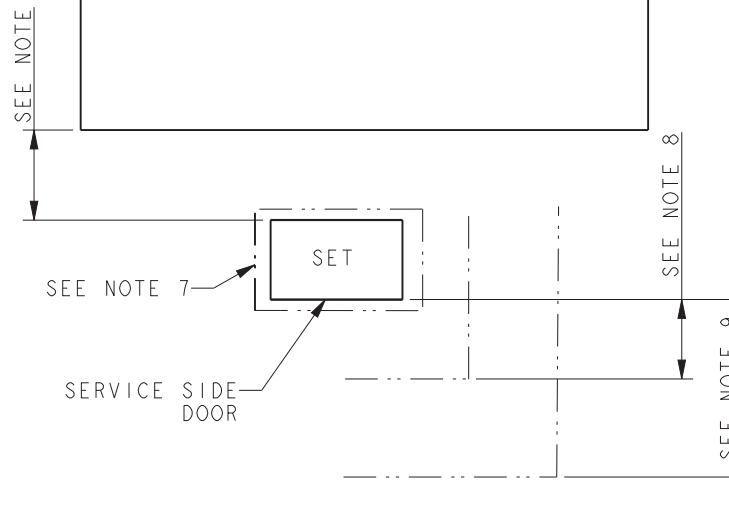
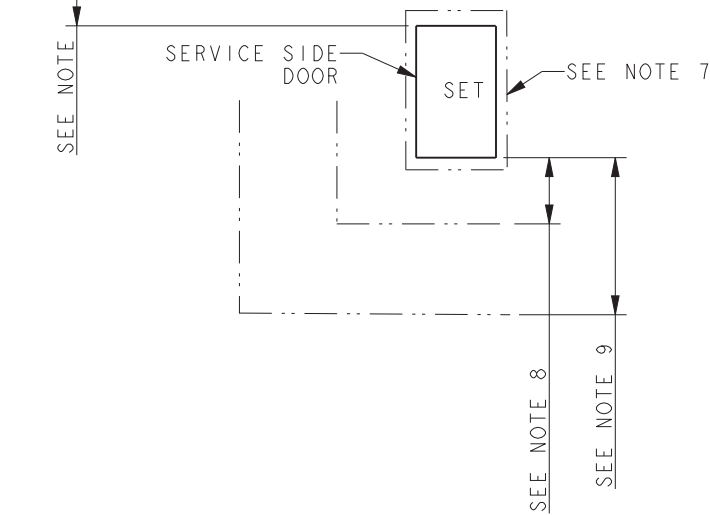
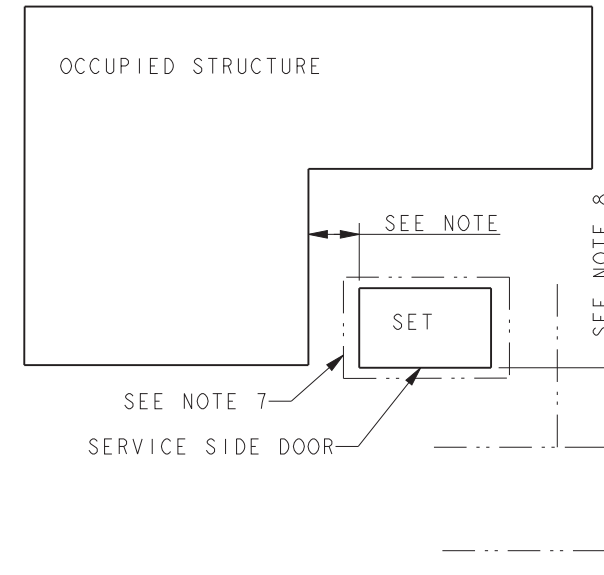
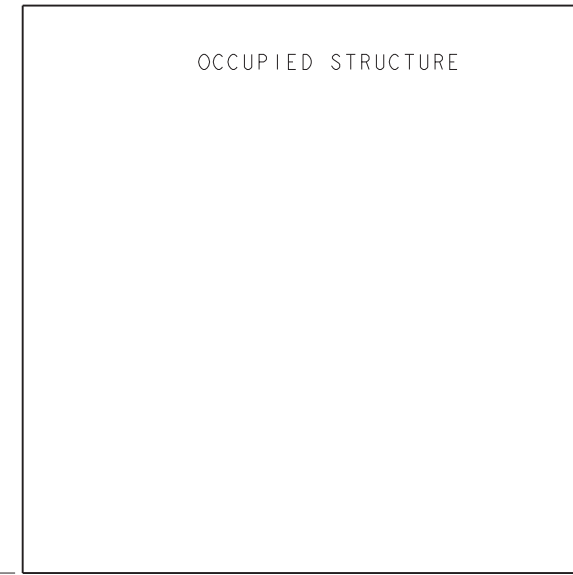
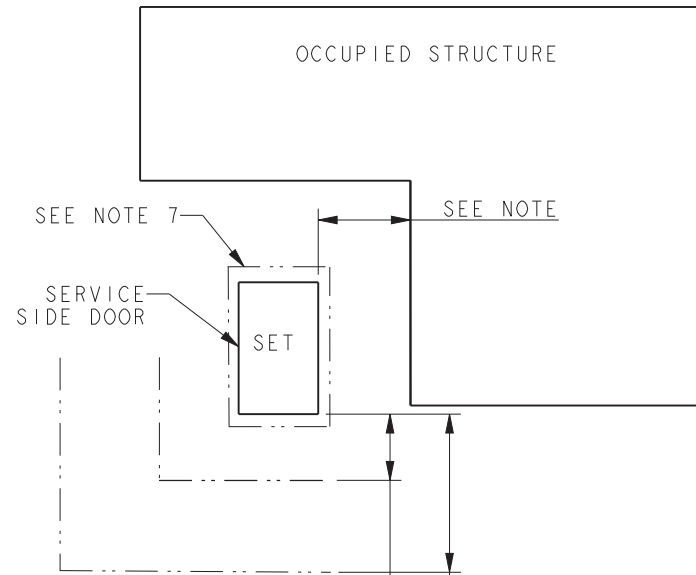
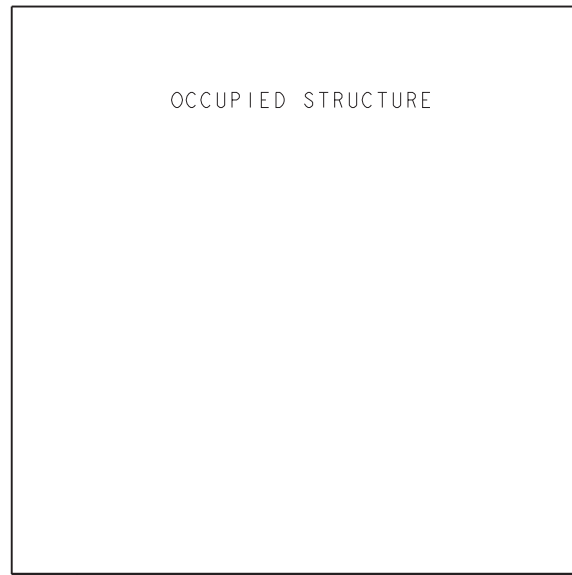
REV	DATE	ON COMPOSITE DWGS. SEE PART NO. FOR REVISION LEVEL	BY
-	10-10-13	NEW DRAWING [CT60516]	BGP
A	2-18-14	(A-4) 38/48/60RCL WAS 60RCL [CT72846]	BGP
B	7-10-14	(A-6) 1172 [46.1] (48/60RCL) 1212 [47.7] (38RCL) WAS 1172 [46.1] [CT86429]	BGW

UNLESS OTHERWISE SPECIFIED -
1) DIMENSIONS ARE IN MILLIMETERS
2) TOLERANCES ARE:
X.XX ± 0.25
X.X ± 1.0
X ± 1.5
ANGLES ± 0° 30'
SURFACE FINISH MAX.

THIRD ANGLE PROJECTION

APPROVALS	DATE
DRAWN BGP	10-10-13
CHECKED GFR	10-10-13
APPROVED DCP	10-10-13

KOHLER CO.	METRIC	PRO-E
POWER SYSTEMS, KOHLER, WI 53044 U.S.A.		
THIS DRAWING IN DESIGN AND DETAIL IS KOHLER CO. PROPERTY AND MUST NOT BE USED EXCEPT IN CONNECTION WITH KOHLER CO. WORK. ALL RIGHTS OF DESIGN OR INVENTION ARE RESERVED.		
TITLE DIMENSION PRINT		
SCALE 0.10	CAD NO.	SHEET 1 of 2
DWG NO. ADV-8545		D



INSTALLATION GUIDELINES

- 1) EXHAUST IS AIMED AWAY FROM OR PARALLEL TO THE STRUCTURE.
- 2) EXHAUST IS NOT DIRECTED AT PLAY AREAS, PATIOS OR OTHER AREAS WHERE PEOPLE CONGREGATE.
- 3) THE NEAREST WINDOW, VENT, DOOR OR SIMILAR STRUCTURE OPENING IS AT LEAST 5 FEET FROM THE EXHAUST END OF THE SET.
- 4) SET HAS PROPER OFFSET FROM STRUCTURE.
- 5) WINDOWS & DOORS ON ADJACENT WALLS ARE CLOSED.
- 6) FURNACE AND OTHER SIMILAR INTAKES ARE AT LEAST 10 FEET FROM EXHAUST END OF SET.
- 7) 4" THICK CONCRETE PAD EXTENDING 6" BEYOND GENSET ON ALL SIDES.
- 8) WEED BARRIER & GRAVEL BED TO EXTEND 4 FT. FROM EXHAUST OUTLET. NO PLANTS, SHRUBS OR OTHER COMBUSTIBLES ALLOWED IN GRAVEL AREA.
- 9) SENSITIVE PLANTS, PATIO FURNITURE, ETC. ARE AT LEAST 8 FEET FROM EXHAUST END OF SET.
- 10) REFER TO OWNERS MANUAL FOR OTHER INSTALLATION CONSTRAINTS.

NOTE:

THE RECOMMENDED DISTANCE FROM A STRUCTURE IS DEPENDENT ON STATE AND LOCAL CODES. NFPA 37 (STANDARDS FOR THE INSTALLATION AND USE OF STATIONARY COMBUSTION ENGINES AND GAS TURBINES) STATES THIS DISTANCE SHOULD BE AT LEAST 5 FEET FROM A COMBUSTIBLE MATERIAL. FOR INSTALLATIONS NEAR NON-COMBUSTIBLE MATERIAL BE SURE TO LEAVE A MINIMUM DISTANCE OF 3 FEET TO ENSURE PROPER GENERATOR COOLING.

38/48/60RCL

REV	DATE	ON COMPOSITE DWGS. SEE PART NO. FOR REVISION LEVEL	BY
-	10-10-13	NEW DRAWING [CT60516]	BGP
A	2-18-14	(A-4) 38/48/60RCL WAS 60RCL [CT72846]	BGP
B	7-10-14	SEE SHEET 1 [CT86429]	BGW

UNLESS OTHERWISE SPECIFIED -	
1) DIMENSIONS ARE IN MILLIMETERS	
2) TOLERANCES ARE:	
X.XX ± 0.25	
X.X ± 1.0	
X ± 1.5	
ANGLES ± 0° 30'	
SURFACE FINISH MAX.	
THIRD ANGLE PROJECTION	
APPROVALS	DATE
DRAWN BGP	10-10-13
CHECKED GFR	10-10-13
APPROVED DCP	10-10-13

KOHLER CO. METRIC PRO-E
 POWER SYSTEMS, KOHLER, WI 53044 U.S.A.
 THIS DRAWING IN DESIGN AND DETAIL IS KOHLER CO. PROPERTY AND MUST NOT BE USED EXCEPT IN CONNECTION WITH KOHLER CO. WORK. ALL RIGHTS OF DESIGN OR INVENTION ARE RESERVED.

TITLE
DIMENSION PRINT

SCALE 0.10 CAD NO. SHEET 2 of 2
 DWG NO. **ADV-8545** **D**