

## XP10000E

### XP SERIES Commercial/Residential Portable Generators

### Features

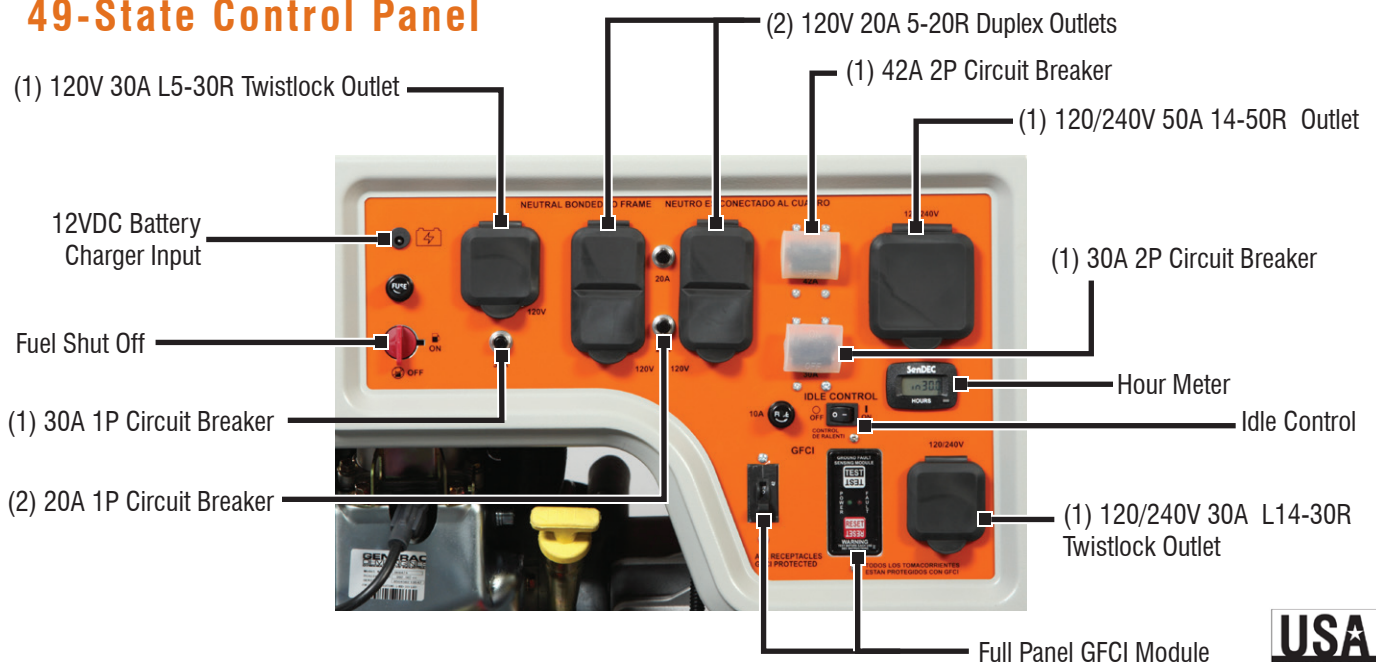
Model 5932-1 UPC: 696471059328  
(EPA/49-ST/GSA)

- **Generac's OHVI® Engine** incorporates full pressure lubrication with automotive style spin-on oil filter for longer engine life.
- **TruePower™ technology** provides clean, smooth operation of sensitive electronics, tools, and appliances.
- **Covered Outlets** provide protection from the environment and rugged working conditions.
- **Full GFCI Outlet Protection** meets OSHA safety requirements.
- **Low-Oil Pressure Shutdown** safeguards engine from damage.
- **Idle Control** conserves fuel for extended run times and reduced noise.
- **Integrated lifting eye** for easy transport and security on the job site.
- **Full-wrap, heavy-duty frame tubing** for durability and strength.
- **Large capacity steel fuel tank** with incorporated fuel gauge keeps you up and running on the job site.



**AC Rated Output Running Watts 10000**  
**AC Maximum Output Starting Watts 12000**

### 49-State Control Panel



# XP10000E

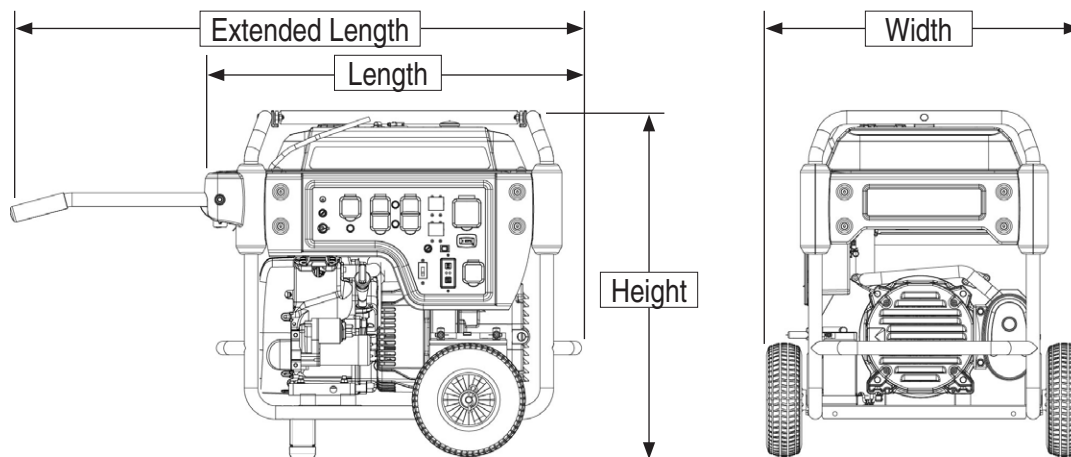
## Specifications

Product Series	XP10000E
Model (Configuration)	5932-1 (EPA/49-State/CSA)
AC Rated Output Running Watts	10000
AC Maximum Output Starting Watts	12000
Rated AC Voltage	120/240 VAC
Rated AC Frequency	60 Hz
Rated 120/240 VAC Amperage	83.3/41.6
Max 120/240 VAC Amperage	100/50
Engine Displacement	530cc
Engine Type	OHVI
Engine RPM	3600
Recommended Oil	10W-30/SAE 30
Lubrication Method	Oil Pump
Automatic Voltage Regulation (AVR)	Yes
Choke Location	On Engine
Fuel Shut Off	On Control Panel
Starting Method	Electric
Battery	Yes
Battery Type	12VDC
Battery Wall Charger Adapter	Included
Low Oil Shutdown	Low Pressure
Neutral Bonded to Ground	Yes

Start Switch Type	On/Off/Start
Switch Location	On Engine
Fuel Gauge	Built-in Tank
Fuel Tank Capacity Gal (Ltrs)	9.25 (35)
Run Time at 50% (Hours)	9
Handle Style	Folding Interlocked
Wheel Type	10" Semi-Solid Wheels
Maintenance Kit	Included
Warranty- Residential	3 Year
Warranty- Commercial	3 Year

## Dimensions and Weights

Length in (mm)	34.75 (883)
Width in (mm)	29 (737)
Height in (mm)	34 (864)
Extended Length in (mm)	48.5 (1232)
Carton Length in (mm)	34.5 (876)
Carton Width in (mm)	23 (584)
Carton Height in (mm)	36.5 (927)
Unit Weight lbs (kg)	293 (133)
Shipping Weight lbs (kg)	334 (152)



**GENERAC**<sup>®</sup>

Generac Power Systems, Inc. • P.O. Box 8, Waukesha, WI 53187 • generac.com

©2013 Generac Power Systems, Inc. All rights reserved. All specifications are subject to change without notice. Bulletin 0193500-A / Printed in U.S.A. 09/19/13